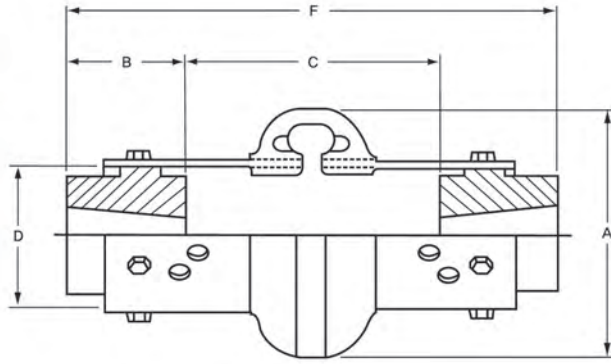


MAX DYNAMIC® Spacer Coupling



Max Dynamic Coupling No.	Torque (kgf.m)	Max. Bore (mm)	Max. rpm	Power Rating (kw/rpm)	Dimensions (mm)						
					A	B	C		D	E	F
					Out Dia	Hub Length	Min. Shaft Spacing	Max. Shaft Spacing	Hub Dia	Total Length	
										In	Out
DS-2	2.20	28	7,500	0.0023	89	24	91	100	47	146	149
DS-3	4.20	34	7,500	0.0043	102	37	85	140	59	184	216
DS-4	6.40	42	7,500	0.0066	116	37	85	140	66	184	216
DS-5	11.00	48	7,500	0.0110	137	45	89	140	80	184	228
DS-10	16.70	55	7,500	0.0170	162	45	89	140	93	184	228
DS-20	26.70	60	4,800	0.0270	184	50	67	180	114	238	280
DS-30	42.10	75	4,200	0.0430	210	56	54	180	138	238	293
DS-40	63.40	85	3,600	0.0660	241	61	41	180	168	238	307
DS-50	88.20	90	3,100	0.0900	279	69	28	180	207	238	319
DS-60	144.00	105	2,800	0.1480	318	80	66	250	222	318	415
DS-70	254.00	120	2,600	0.2620	356	85	59	250	235	318	421
DS-80	455.00	155	1,800	0.4670	406	114	37	250	286	318	478

Recommended Capscrew

Size	Torque (kgf.m)
D-2	2.3
D-3	
D-4	
D-5	
D-10	
D-20	4.1
D-30	
D-40	
D-50	
D-60	
D-70	10.2
D-80	
D-100	37.7
D-120	

NOTE

1. A bolt having the highest tension shall be used
2. Loctite as adhesive shall be used
3. Never use a bolt more than twice