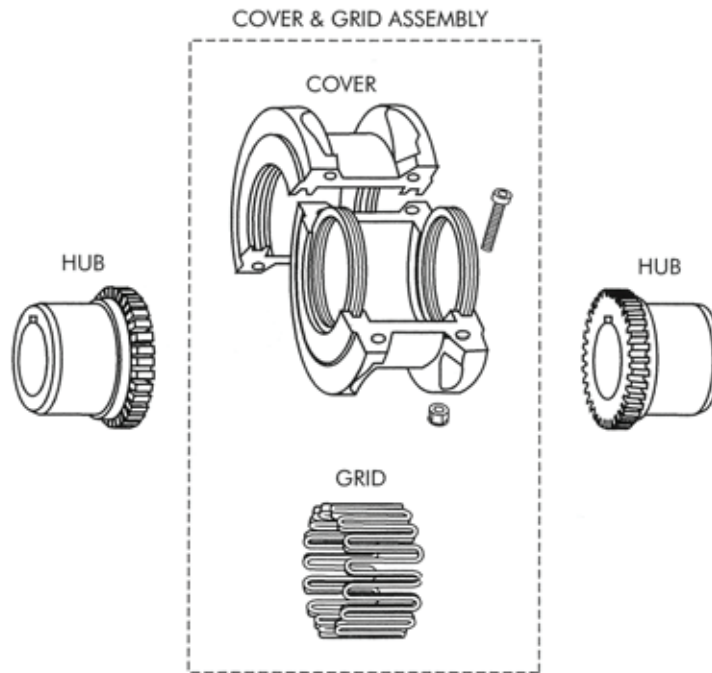
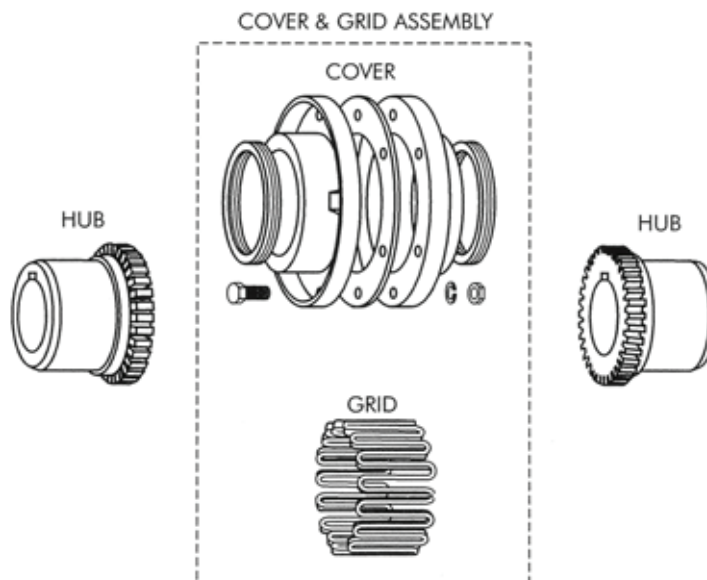


## 6. Installation

### Type H

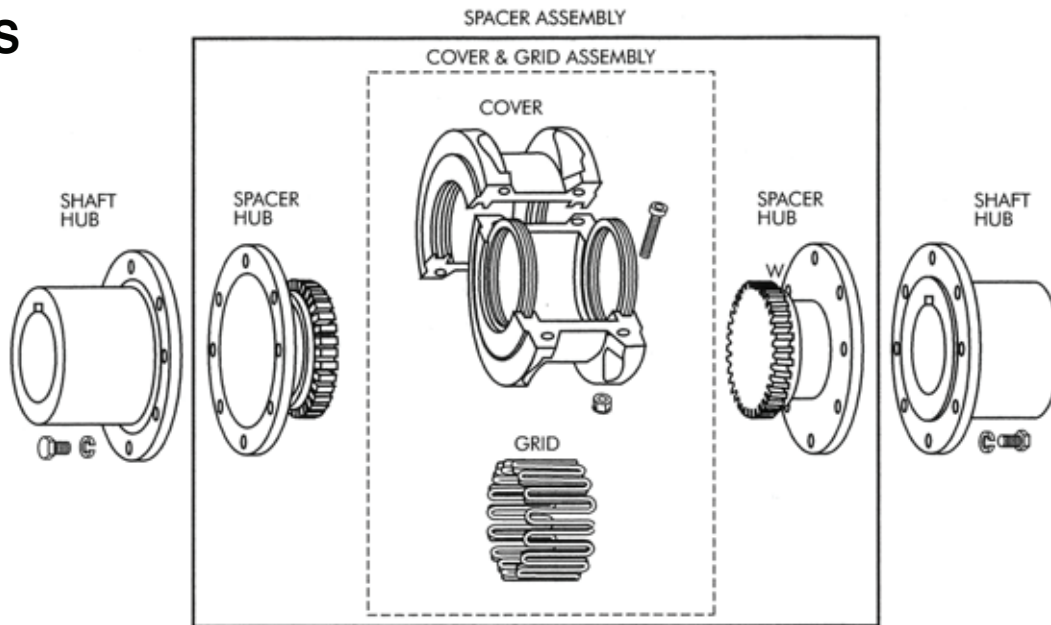


### Type V

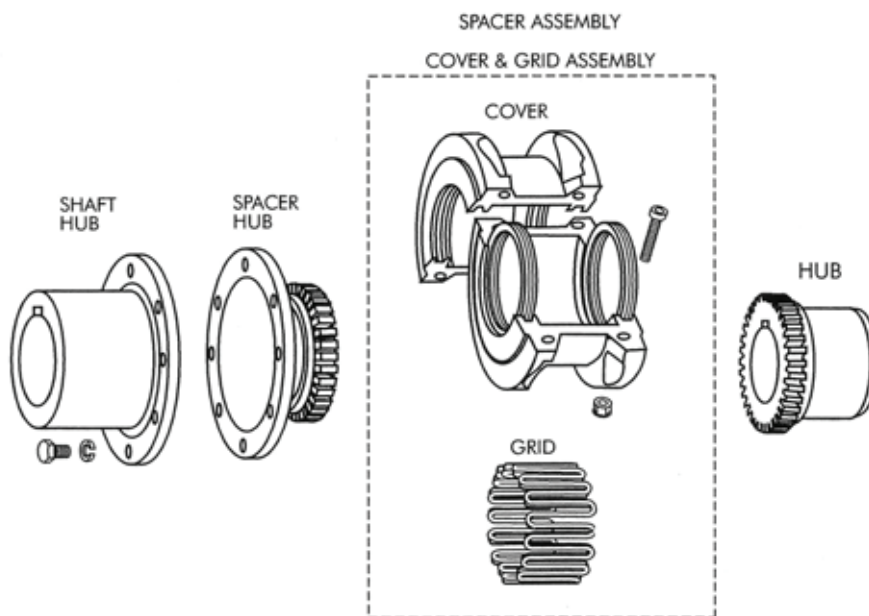


## 7. Installation

### KSAS



### KSFS





# KCP Grid Coupling

## 9. Lubrication and Handing

Choose high quality lubricant for KCP Taper Grid Couplings for good performance and long life.

### 1. Grease Lubrication

Grease on the grid & hub teeth before assembling covers.  
Fill up grease through the lub plug of the assembled coupling.

### 2. Supplement

Every three month Every 240~250 hours operating, you should add grease.

### 3. Replacement

Every 3 months, or every 4,000 hours operating you should replace all the deteriorated grease.

### 4. Selection

Choose grease according to the ambient temperature range in table 5.

#### ■ Common Industrial Lubricants(NYGL Grade #2)

**Table5**

Manufacture	Ambient Temperature Range :	
	0° F to 150° F (-18° C to 66° C)	-30° F to 100° F (-34° C to 38° C)
Amoco Oil Co.	Amolith Grease #2	Amolith Grease #2
Atlantic Richfield co.	Litholene HEP 2	Litholene HEP 2
Chevron U.S.A Inc.	Chevron Dura-Lith EP-2	Chevron Dura-Lith EP-2
Cities Service Co.	Citgo HEP-2	Citgo HEP-2
Conoco Inc.	EP Conolith #2	EP Conolith #2
Exxon Company, USA	Ronex MP	Ronex MP
Gulf Oil Corp.	Gulfcrown Grease #2	Gulfcrown Grease #2
E.F.Houghton & Co.	Cosmolube #2	Cosmolube #1
Impenrial Oil Ltd.	Esso MP Grease H	Lotemp EP
Keystone Div.(Pennwalt)	#81 Light	#84 Light
Mobil Oil Corp.	Mobilux EP111	Mobilux #1
Phillips Petroleum Co.	IB & RB grease	Philube IB & RB grease
Shell Oil Co.	Alvania Grease #2	Alvania Grease #2
Standard Oil Co.(OH)	Factran #2	Factran #2
Sun Oil Company	Prestige 42	Prestige 42
Texaco Lubricants	Starplex HD 2	Multifac EP2
Union Oil Co.(CA)	Union Undoba #2	Union Undoba #2
Valvoline Oil Co.	Val-Lith EP #2	Val-Lith EP #2

■ Note: For feed processing in dusty, check with lube manufacture for approved lubricants.