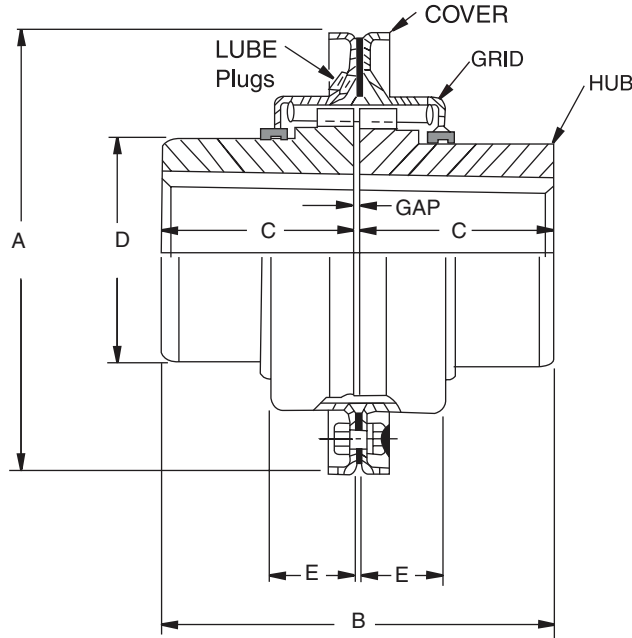




KCP Grid Coupling

Type V (Vertical Split Steel Cover)



Size	HP Per 100 rpm	Max. Speed (rpm)	Basic Torque (kg · cm)	Bore Dia (mm)		Dimensions(mm)					Gap(mm)			Cplg Wt(kg)	Lub Wt (kg)	Size
				Max.	Min.	A	B	C	D	E	Min.	Normal	Max.			
1020	0.68	6,000	486	30	12.7	111.1	98.0	47.5	39.7	24.2	1.5	3	4.5	2.0	0.03	1020
1030	1.93	6,000	1,383	36	12.7	120.7	98.0	47.5	49.2	25.0	1.5	3	4.5	2.6	0.03	1030
1040	3.22	6,000	2,304	44	12.7	128.5	104.6	50.8	57.1	25.7	1.5	3	4.5	3.4	0.05	1040
1050	5.63	6,000	4,033	50	12.7	147.6	123.6	60.3	66.7	31.2	1.5	3	4.5	5.4	0.05	1050
1060	8.85	6,000	6,337	57	19.1	162.0	130.0	63.5	76.2	32.2	1.5	3	4.5	7.3	0.09	1060
1070	13	5,500	9,217	65	19.1	173.0	155.4	76.2	87.3	33.7	1.5	3	4.5	10.4	0.11	1070
1080	27	4,750	19,010	79	27.0	200.0	180.8	88.9	104.8	44.2	1.5	3	4.5	17.7	0.17	1080
1090	48	4,000	34,564	95	27.0	231.8	199.8	98.4	123.8	47.7	1.5	3	6	25.4	0.25	1090
1100	81	3,250	58,183	107	41.3	266.7	245.7	120.6	142.0	60.0	1.5	3	6	42.2	0.43	1100
1110	121	3,000	86,411	117	41.3	285.8	258.5	127.0	160.3	64.2	1.5	4.5	12.5	54.4	0.51	1110
1120	177	2,700	126,736	136	60.3	319.0	304.4	149.2	179.4	73.4	1.5	4.5	12.5	81.6	0.73	1120
1130	257	2,400	184,343	165	66.7	377.8	329.8	161.9	217.5	75.1	1.5	6	12.5	122.5	0.91	1130
1140	370	2,200	264,993	184	66.7	416.0	371.6	182.8	254.0	78.2	1.5	6	12.5	180.1	1.13	1140
1150	515	2,000	368,686	203	108.0	476.3	371.8	182.9	269.2	106.9	1.5	6	12.5	230.0	1.95	1150
1160	724	1,750	518,465	228	120.7	533.4	402.2	198.1	304.8	114.3	1.5	6	12.5	321.1	2.81	1160
1170	965	1,600	691,286	279	133.4	584.2	437.8	215.9	355.6	119.4	1.5	6	12.5	448.2	3.49	1170
1180	1,338	1,400	958,584	311	152.4	630.0	483.6	238.8	393.7	130.0	1.5	6	12.5	591.0	3.76	1180
1190	1,770	1,300	1,267,358	339	152.4	685.0	524.2	259.1	436.9	135.0	1.5	6	12.5	761.0	4.40	1190
1200	2,413	1,100	1,728,216	361	177.8	737.0	564.8	279.4	497.8	145.0	1.5	6	12.5	1,021.0	5.62	1200

■ Coupling weight without Bore machining.