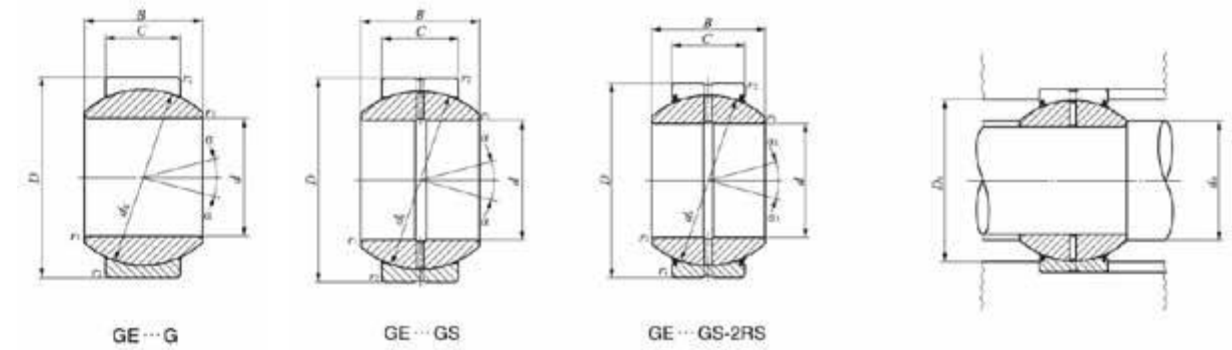
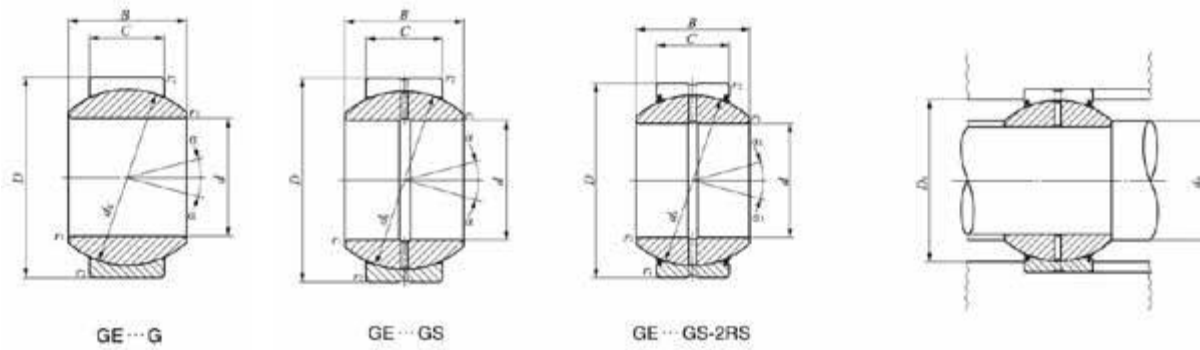


GE-G & GE-GS-2RS Heavy Duty Series

GE-G & GE-GS-2RS Heavy Duty Series



Shaft dia. mm	Identification Number		Mass (Ref.) kg	Dimensions (mm)							Permissible tilting angle degree	Mounting Dimensions (mm)				Dynamic load capacity N	Static load capacity N		
	Without seals	With Seals		d	D	B	C	dk	(1)	(1)		a	a1	da				Da	
									r1s min	r2s min				Min.	Max (2)			Max	Min.
10	GE 10G	-	0.022	10	22	12	7	18	0.3	0.3	18	-	12.5	13	19.5	17	12 400	74 100	
12	GE 12G	-	0.041	12	26	15	9	22	0.3	0.3	18	-	14.5	16	23.5	21	19 400	117 000	
15	GE 15GS	GE 15GS-2RS	0.059	15	30	16	10	25	0.3	0.3	16	13	17.5	19	27.5	26	24 500	147 000	
17	GE 17GS	GE 17GS-2RS	0.083	17	35	20	12	29	0.3	0.3	19	16	19.5	21	32.5	30.5	34 100	205 000	
20	GE 20GS	GE 20GS-2RS	0.155	20	42	25	16	35.5	0.3	0.6	17	16	22.5	25	37.5	37	55 700	334 000	
25	GE 25GS	GE 25GS-2RS	0.215	25	47	28	18	40.7	0.6	0.6	17	15	29.5	29.5	42.5	41.5	71 800	431 000	
30	GE 30GS	GE 30GS-2RS	0.330	30	55	32	20	47	0.6	1	17	16	34	34	49.5	48	92 200	553 000	
35	GE 35GS	GE 35GS-2RS	0.400	35	62	35	22	53	0.6	1	16	15	39.5	39.5	56.5	54.5	114 000	686 000	
40	GE 40GS	GE 40GS-2RS	0.515	40	68	40	25	60	0.6	1	17	14	44.5	44.5	62.5	60	147 000	883 000	
45	GE 45GS	GE 45GS-2RS	0.660	45	75	43	28	66	0.6	1	15	13	49.5	50	69.5	66	181 000	1 090 000	
50	GE 50GS	GE 50GS-2RS	1.50	50	90	56	36	80	0.6	1	17	16	54.5	57	84.5	79	282 000	1 690 000	
60	GE 60GS	GE 60GS-2RS	2.05	60	105	63	40	92	1	1	17	15	65.5	67	99.5	91	361 000	2 170 000	
70	GE 70GS	GE 70GS-2RS	3.00	70	120	70	45	105	1	1	16	14	75.5	78	114.5	103	463 000	2 780 000	
80	GE 80GS	GE 80GS-2RS	3.60	80	130	75	50	115	1	1	14	13	85.5	87	124.5	112	564 000	3 380 000	
90	GE 90GS	GE 90GS-2RS	5.41	90	150	85	55	130	1	1	15	14	95.5	98	144.5	127	701 000	4 210 000	
100	GE 100GS	GE 100GS-2RS	6.15	100	160	85	55	140	1	1	14	12	105.5	111	154.5	138	755 000	4 530 000	
110	GE 110GS	GE 110GS-2RS	9.70	110	180	100	70	160	1	1	12	11	115.5	124.5	174.5	154	1 100 000	6 590 000	
120	GE 120GS	GE 120GS-2RS	15.5	120	210	115	70	180	1	1	16	15	125.5	138.5	204.5	176	1 240 000	7 410 000	