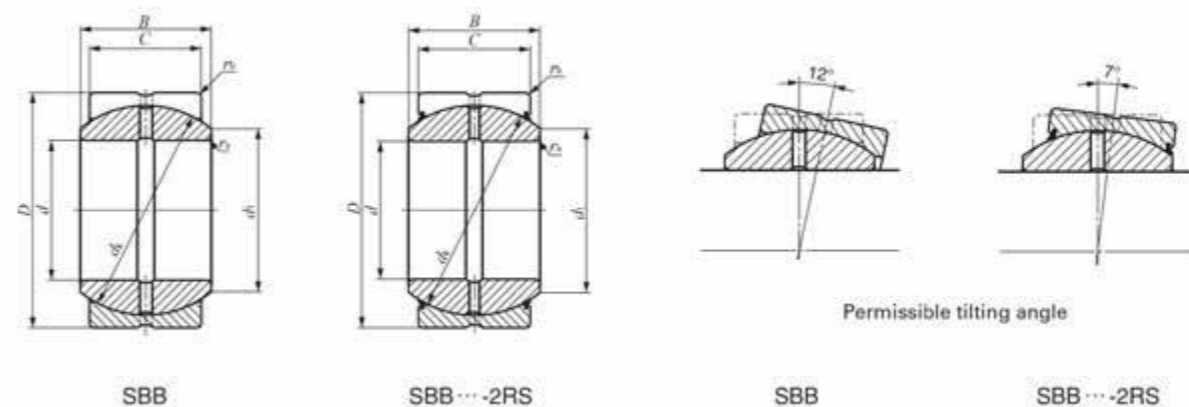
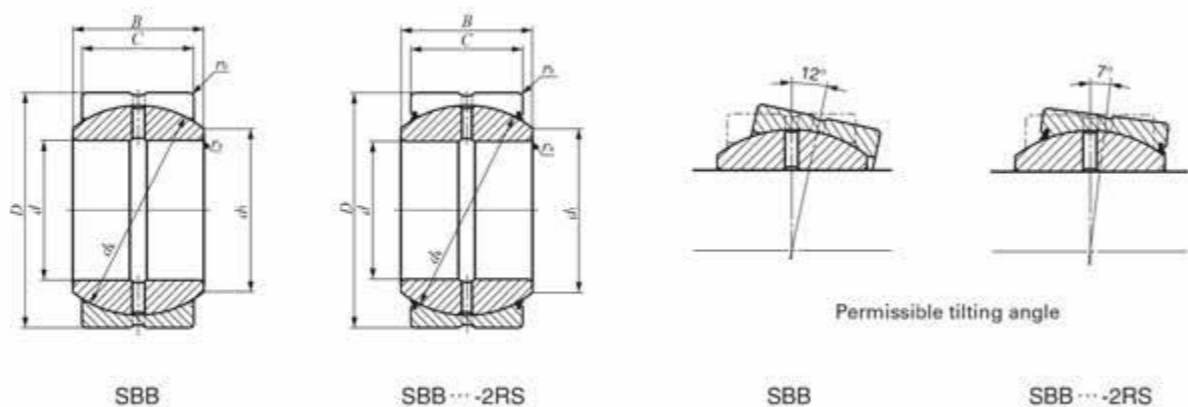


SBB-2RS Imperial Series

SBB-2RS Imperial Series



Shaft dia. mm (inch)	Identification number		Mass (Ref.) kg	Boundary dimensions mm (inch)				dk mm	Radial internal clearance mm Min./Max	Mounting dimensions mm			Dynamic load capacity Cd N	Static load capacity Cs N
	Without seal	With seals		d	D	B	C			d1	ras max Max.	rbs max Max.		
12.700 (1/2)	SBB 8	-	0.020	12.700 (1/2)	22.225 (7/8)	11.10 (7/16)	9.52 (3/8)	18	0.05/0.15	14.0	0.2	0.6	16 800	101 000
15.875 (5/8)	SBB 10	-	0.036	15.875 (5/8)	26.988 (1 1/16)	13.89 (35/64)	11.91 (15/32)	23	0.05/0.15	17.9	0.2	0.8	26 900	161 000
19.050 (3/4)	SBB 12	SBB 12-2RS	0.057	19.050 (3/4)	31.750 (1 1/4)	16.66 (21/32)	14.27 (9/16)	27.5	0.08/0.18	21.4	0.6	*0.8	38 500	231 000
22.225 (7/8)	SBB 14	SBB 14-2RS	0.088	22.225 (7/8)	36.512 (1 7/16)	19.43 (49/64)	16.66 (21/32)	32	0.08/0.18	25	0.6	*0.8	52 300	314 000
25.4 (1)	SBB 16	SBB 16-2RS	0.125	25.400 (1)	41.275 (1 5/8)	22.22 (7/8)	19.05 (3/4)	36	0.08/0.18	28	0.6	*0.8	67 300	404 000
31.75 (1 1/4)	SBB 20	SBB 20-2RS	0.234	31.750 (1 1/4)	50.800 (2)	27.76 (1 1/32)	23.80 (15/16)	45	0.08/0.18	35.1	0.6	0.8	105 000	630 000
34.925 (1 3/8)	SBB 22	SBB 22-2RS	0.349	34.925 (1 3/8)	55.562 (2 3/16)	30.15 (1 3/16)	26.19 (1 1/32)	49	0.08/0.18	38.5	0.6	0.8	126 000	755 000
38.1 (1 1/2)	SBB 24	SBB 24-2RS	0.424	38.100 (1 1/2)	61.912 (2 7/16)	33.32 (1 5/16)	28.58 (1 1/8)	55	0.08/0.18	43.3	0.6	0.8	154 000	925 000
44.45 (1 3/4)	SBB 28	SBB 28-2RS	0.649	44.450 (1 3/4)	71.438 (2 13/16)	38.89 (1 17/32)	33.32 (1 5/16)	64	0.08/0.18	50.4	0.6	0.8	209 000	1 250 000
50.8 (2)	SBB 32	SBB 32-2RS	0.939	50.800 (2)	80.962 (3 3/16)	44.45 (1 3/4)	38.10 (1 1/2)	73	0.08/0.18	57.6	0.6	0.8	273 000	1 640 000
57.150 (2 1/4)	SBB 36	SBB 36-2RS	1.32	57.150 (2 1/4)	90.488 (3 9/16)	50.01 (1 31/32)	42.85 (1 11/16)	82	0.10/0.20	64.9	0.6	0.8	345 000	2 070 000
63.5 (2 1/2)	SBB 40	SBB 40-2RS	1.85	63.500 (2 1/2)	100.012 (3 15/16)	55.55 (2 3/16)	47.62 (1 7/8)	91	0.10/0.20	72	0.6	0.8	425 000	2 550 000
69.850 (2 3/4)	SBB 40	SBB 44-2RS	2.44	69.850 (2 3/4)	111.125 (4 3/8)	61.11 (2 13/32)	52.37 (2 1/16)	100	0.10/0.20	79	0.6	0.8	514 000	3 080 000
76.200 (3)	SBB 48	SBB 48-2RS	3.12	76.200 (3)	120.650 (4 3/4)	66.68 (2 5/8)	57.15 (2 1/4)	110	0.10/0.20	86.5	0.6	0.8	616 000	3 700 000
82.550 (3 1/4)	SBB 52	SBB 52-2RS	3.92	82.50 (3 1/4)	130.175 (5 1/8)	72.24 (2 27/32)	61.90 (2 7/16)	119	0.13/0.23	94.1	0.6	0.8	722 000	4 330 000
88.900 (3 1/2)	SBB 56	SBB 56-2RS	4.83	88.900 (3 1/2)	139.700 (5 1/2)	77.77 (3 1/16)	66.68 (2 5/8)	128	0.13/0.23	101.6	0.6	0.8	837 000	5 020 000
95.250 (3 3/4)	SBB 60	SBB 60-2RS	5.87	95.250 (3 3/4)	149.255 (5 7/8)	83.34 (3 9/32)	71.42 (2 13/16)	137	0.13/0.23	108.4	0.6	0.8	960 000	5 760 000
101.600 (4)	SBB 64	SBB 64-2RS	7.07	101.600 (4)	158.750 (6 1/4)	88.90 (3 1/2)	76.20 (3)	146	0.13/0.23	115.8	0.6	0.8	1 090 000	6 550 000

* The value shown is applicable to types without seals. For types with seals, the value is 0.4mm