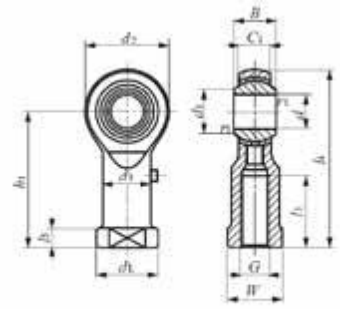
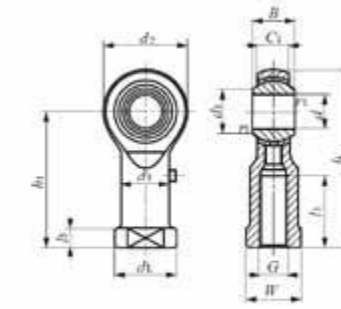


PHS Series (Metric Female)



PHS(...A)

PHS Series (Metric Female)



PHS(...A)

Identification No.	Mass (Ref.) g	Boundary Dimensions mm										Boundary Dimensions mm					Dynamic Load capacity	Static Load Capacity
		d	Thread	D2	C1	B	D1	l4	h1	l3	l5	W	d3	dL	-1	Ball dia.	Cd	Cs
			G												rs min	mm (inch)		
PHS 3 PHS 3L	5.7	3	M 3X0.5	12	4.5	6	5.2	27	21	10	3	5.5	5	6.5	0.2	7.938 (5/16)	1 750	3 670
PHS 4 PHS 4L	11.9	4	M 4X0.7	14	5.3	7	6.5	31	24	12	4	8	8	9.5	0.2	9.525 (3/8)	2 480	4 680
PHS 5 PHS 5L	16.5	5	M 5X0.8	16	6	8	7.7	35	27	14	4	9	9	11	0.2	11.112 (7/16)	3 270	5 730
PHS 6 PHS 6L	25	6	M 6X1	18	6.75	9	9	39	30	14	5	11	10	13	0.2	12.700 (1/2)	4 200	6 910
PHS 8 PHS 8L	43	8	M 8X1.25	22	9	12	10.4	47	36	17	5	14	12.5	16	0.2	15.875 (5/8)	7 010	10 200
PHS 10 PHS 10L	72	10	M 10X1.5	26	10.5	14	12.9	56	43	21	6.5	17	15	19	0.2	19.050 (3/4)	9 810	13 300
PHS 12 PHS 12L	107	12	M 12X1.75	30	12	16	15.4	65	50	24	6.5	19	17.5	22	0.2	22.225 (7/8)	13 100	16 900
PHS 14 PHS 14L	160	14	M 14X2	34	13.5	19	16.9	74	57	27	8	22	20	25	0.2	25.400 (1)	16 800	20 900
PHS 16 PHS 16L	210	16	M 16X2	38	15	21	19.4	83	64	33	8	22	22	27	0.2	28.575 (1 1/8)	21 000	25 400
PHS 18 PHS 18L	295	18	M 18X1.5	42	16.5	23	21.9	92	71	36	10	27	25	31	0.2	31.750 (1 1/4)	25 700	30 200
PHS 20 PHS 20L	380	20	M 20X1.5	46	18	25	24.4	100	77	40	10	30	27.5	34	0.2	34.925 (1 3/8)	30 800	35 500
PHS 22 PHS 22L	490	22	M 22X1.5	50	20	28	25.8	109	84	43	12	32	30	37	0.2	38.100 (1 1/2)	37 400	41 700
PHS 25 PHS 25L	750	25	M 24X2	60	22	31	29.6	124	94	48	12	36	33.5	42	0.6	42.862 (1 11/16)	46 200	72 700

L = Left Hand Thread