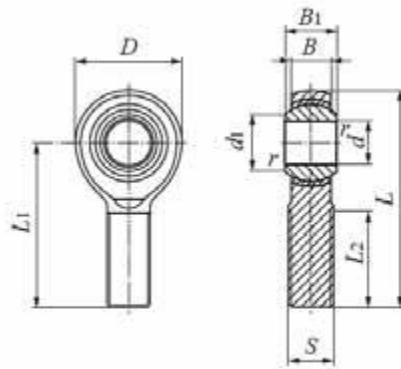


# Rod Ends with Male Thread

## POSB Series (Imperial Male)



POSB

| Identification No.  | Dimensions |                    |                   |                  |                  |                    |                    |                    |                  |               | Dynamic Load capacity | Static Load Capacity | Mass (Ref.) |      |
|---------------------|------------|--------------------|-------------------|------------------|------------------|--------------------|--------------------|--------------------|------------------|---------------|-----------------------|----------------------|-------------|------|
|                     | mm         |                    |                   |                  |                  |                    |                    |                    |                  |               |                       |                      |             |      |
|                     | (inch)     |                    |                   |                  |                  |                    |                    |                    |                  |               |                       |                      |             |      |
| d                   | Thread     | D                  | B                 | B1               | d1               | L                  | L1                 | L2                 | -1               | Ball dia.     | Cd                    | Cs                   | g           |      |
|                     | CLASS 3a   |                    |                   |                  |                  |                    |                    |                    | r ls min         | mm (inch)     | N                     | N                    |             |      |
| POSB 3<br>POSB 3L   | 3/16       | -32UNF<br>(.1900)  | 15.88<br>(5/8)    | 6.35<br>(1/4)    | 7.92<br>(5/16)   | 7.77<br>(5/16)     | 39.70<br>(1 9/16)  | 31.75<br>(1 1/4)   | 19.05<br>(3/4)   | 0.3<br>(.012) | 11.112<br>(7/16)      | 3 460                | 4 850       | 14   |
| POSB 4<br>POSB 4L   | 1/4        | -28UNF<br>(.2500)  | 19.05<br>(.750)   | 7.14<br>(9/32)   | 9.53<br>(3/8)    | 9.02<br>(23/64)    | 49.20<br>(1 15/16) | 39.67<br>(1 9/16)  | 25.40<br>(1)     | 0.5<br>(.020) | 13.097<br>(33/64)     | 4 590                | 8 870       | 23   |
| POSB 5<br>POSB 5L   | 5/16       | -24UNF<br>(.3125)  | 22.23<br>(.875)   | 8.74<br>(11/32)  | 11.10<br>(7/16)  | 11.35<br>(29/64)   | 58.72<br>(2 5/16)  | 47.63<br>(1 7/8)   | 31.75<br>(1 1/4) | 0.5<br>(.020) | 15.875<br>(5/8)       | 6 800                | 14 200      | 36   |
| POSB 6<br>POSB 6L   | 3/8        | -24UNF<br>(.3750)  | 25.40<br>(1)      | 10.31<br>(13/32) | 12.70<br>(1/2)   | 13.13<br>(33/64)   | 61.93<br>(2 7/16)  | 49.23<br>(1 15/16) | 31.75<br>(1 1/4) | 0.5<br>(.020) | 18.256<br>(23/32)     | 9 230                | 21 600      | 54   |
| POSB 7<br>POSB 7L   | 7/16       | -20UNF<br>(.4375)  | 28.58<br>(1 1/8)  | 11.10<br>(7/16)  | 14.27<br>(9/16)  | 14.88<br>(33/64)   | 68.28<br>(2 11/16) | 53.98<br>(2 1/8)   | 34.93<br>(1 3/8) | 0.5<br>(.020) | 20.638<br>(13/16)     | 11 200               | 26 100      | 77   |
| POSB 8<br>POSB 8L   | 1/2        | -20UNF<br>(.5000)  | 33.32<br>(1 5/16) | 12.70<br>(1/2)   | 15.88<br>(5/8)   | 17.73<br>(45/64)   | 78.59<br>(3 3/32)  | 61.93<br>(2 7/16)  | 38.10<br>(1 1/2) | 0.5<br>(.020) | 23.812<br>(15/16)     | 14 800               | 36 200      | 122  |
| POSB 10<br>POSB 10L | 5/8        | -18UNF<br>(.6250)  | 38.10<br>(1 1/2)  | 14.27<br>(9/16)  | 19.05<br>(3/4)   | 21.31<br>(27/32)   | 85.73<br>(3 3/8)   | 66.68<br>(2 5/8)   | 41.28<br>(1 5/8) | 0.5<br>(.020) | 28.575<br>(1 1/8)     | 20 000               | 39 300      | 186  |
| POSB 12<br>POSB 12L | 3/4        | -16UNF<br>(.7500)  | 44.45<br>(1 3/4)  | 17.45<br>(11/16) | 22.23<br>(7/8)   | 24.84<br>(63/64)   | 95.25<br>(3 3/4)   | 73.03<br>(2 7/8)   | 44.45<br>(1 3/4) | 0.5<br>(.020) | 33.338<br>(1 5/16)    | 28 500               | 55 000      | 295  |
| POSB 16<br>POSB 16L | 1          | -12UNF<br>(1.2500) | 69.85<br>(2 3/4)  | 25.40<br>(1)     | 34.93<br>(1 3/8) | 32.23<br>(1 17/64) | 139.70<br>(5 1/2)  | 104.78<br>(4 1/8)  | 53.98<br>(2 1/8) | 0.5<br>(.020) | 47.625<br>(1 7/8)     | 59 300               | 112 000     | 1129 |

L = Left Hand Thread