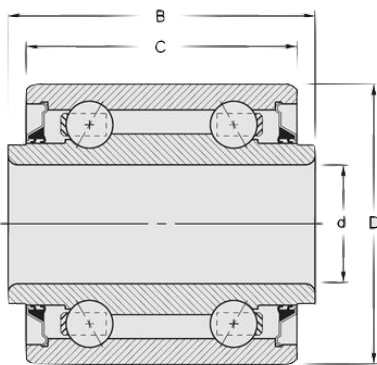
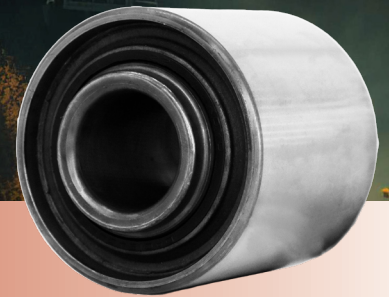


AGRICULTURAL PLANTER BEARING

DAC164044-2RSLCS16 / 5203KYY2



PRODUCT SPECIFICATION



JTEKT **Koyo**

Double Sealed Design *Protects against contaminants like dirt and moisture*

Low Friction *Ensures smooth performance and reduces wear*

Durable Construction *Ideal for demanding environments and extended use*

Bearing No.	Boundary dimensions(mm)				Automotive Position
	d	D	B	C	
DAC164044-2RSLCS16	16.256	40	44.12	39.12	Ball Bearing Automotive - Wheel

DAC164044-2RSLCS16 (5203KYY2), known as the "Planter Bearing," is engineered to optimize seeding equipment performance. Designed for agricultural seed planters, it features durable construction, superior sealing, and reliable operation, ensuring precision and efficiency in demanding field conditions.