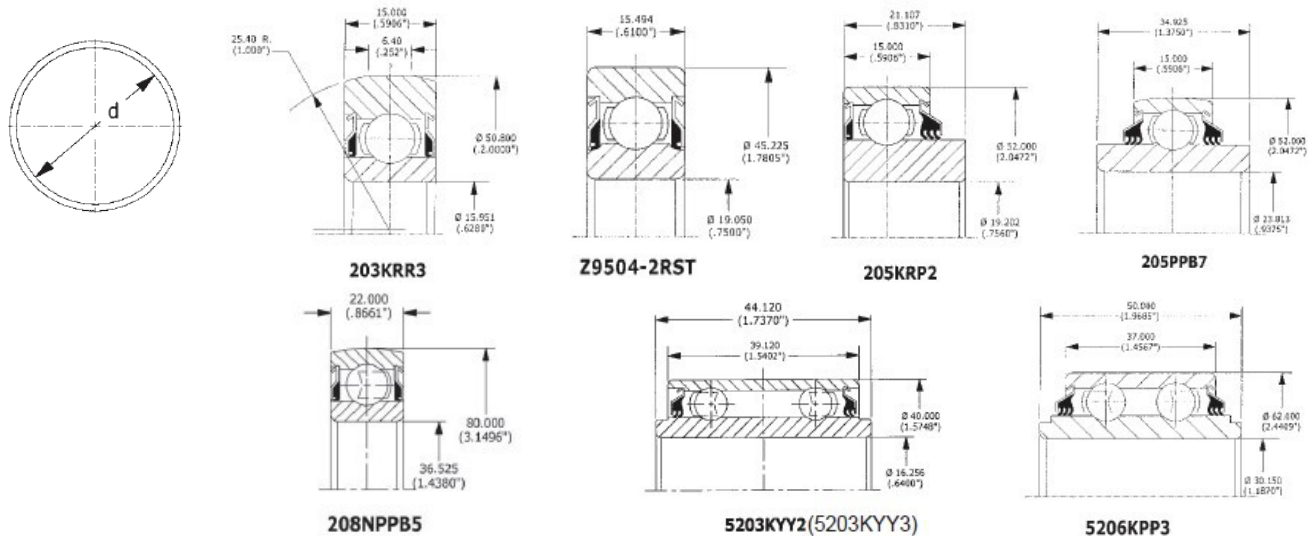


Deep Groove Round Bore Ball Bearings - Special Design



Part No.	Unit of Measure	d	D	Bi	Be	Load	Ratings	Wt. Lbs.
						Dynamic	Static	
203KRR3	inch	0.628	2	0.5906	0.5906	2.16	889	0.16
	mm	15.91	50.8	15	15			
204BBAR (Z9504-2RST)	inch	0.7504	1.7805	-	-	-	-	-
	mm	19.060	45.225	-	-			
205KRP2	inch	0.756	2.0472	0.831	0.9606	3.15	1.61	0.44
	mm	19.202	52	21.107	15			
205PPB7	inch	0.9375	2.0472	1.375	0.9606	3.15	1.61	0.44
	mm	23.813	52	34.925	15			
208NPPB5	inch	1.438	3.1496	0.8661	0.8661	7.34	3.65	1.04
	mm	36.525	80	22	22			
5203KYY2	inch	0.64	1.5748	1.737	1.5402	-	-	-
	mm	16.256	40	44.12	39.12			
5206KPP3	inch	1.187	2.4409	-	-	-	-	-
	mm	37	62	-	-			