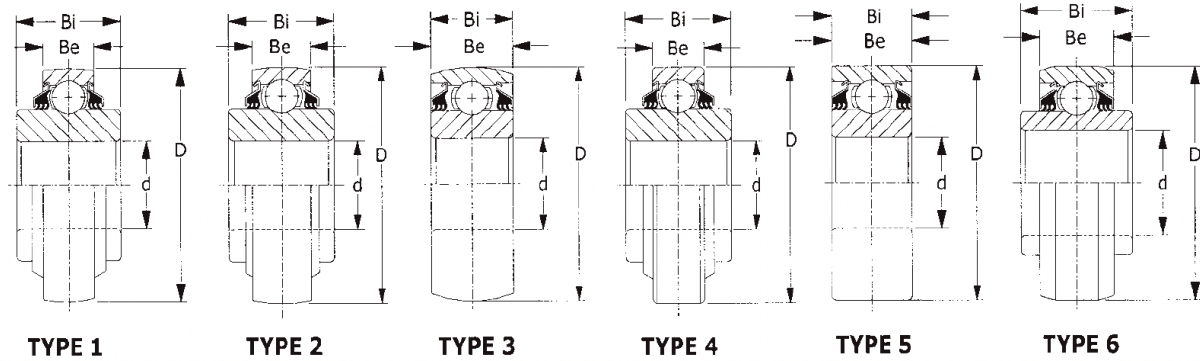


Disc Harrow Bearings - Round Bore Non-Greaseable



Part No.	Type	Unit of Measure	d	D	Be	Bi	Load Ratings		Wt. Lbs.
							Dynamic	Static	
W208PPB2	1	Inch	1.5005	3.1496	0.709	1.688	7340	3650	1.59
		mm	38.113	80	18	42.875			
W208PPB7	2	Inch	1.188	3.1496	0.709	1.188	7340	3650	1.41
		mm	30.175	80	18	30.175			
W208PP10	4	Inch	1.5005	3.1496	0.827	1.688	7340	3650	1.5
		mm	38.113	80	21	42.875			
W208PPB23	2	Inch	1.5005	3.1496	1.188	1.688	7340	3650	1.5
		mm	38.113	80	30.175	42.875			
W210PP2	5	Inch	1.938	3.5433	1.188	1.188	7880	4650	1.69
		mm	49.225	90	30.175	30.175			
W210PP8	5	Inch	1.53	3.5433	1.188	1.188	7880	4650	1.97
		mm	38.862	90	30.175	30.175			
W211PP2	5	Inch	2.188	3.937	1.312	1.312	9740	5850	2.33
		mm	55.575	100	33.325	33.325			
W211PPB2	3	Inch	2.188	3.937	1.312	1.312	9740	5850	3
		mm	55.575	100	33.325	33.325			
W214PP2	5	Inch	2.7559	4.9213	1.562	1.562	14000	8800	4.19
		mm	70	125	39.675	39.675			
W214PPB9	3	Inch	2.766	4.9213	1.102	1.75	14000	8800	3.96
		mm	70.256	125	28	44.45			

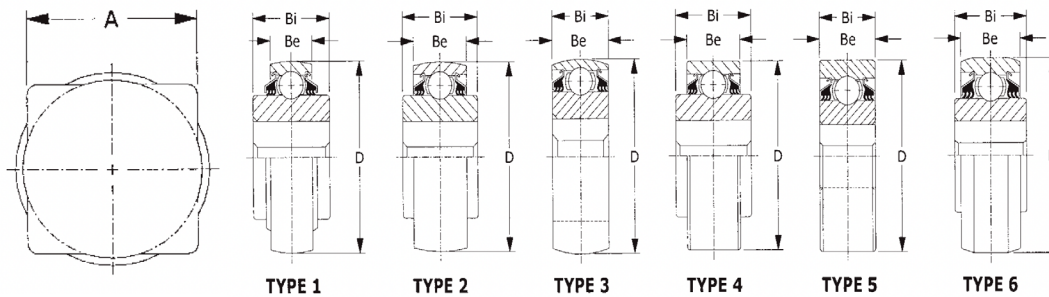
Disc Harrow Bearings - Round Bore Greaseable

Part No.	Type	Unit of Measure	d	D	Be	Bi	Load Ratings		Wt. Lbs.
							Dynamic	Static	
GW208PPB2	1	Inch	1.5005	3.1496	0.709	1.688	7340	3650	1.59
		mm	38.113	80	18	42.875			
GW208PPB4	3	Inch	1.882	3.1496	1.882	1.882	7340	3650	1.59
		mm	30.18	80	30.18	30.18			
GW208PPB7	2	Inch	1.188	3.1496	0.709	1.188	7340	3650	1.41
		mm	30.175	80	18	30.175			
GW208PP10	4	Inch	1.5005	3.1496	0.827	1.688	7340	3650	1.5
		mm	38.113	80	21	42.875			
GW208PPB23	2	Inch	1.5005	3.1496	1.188	1.688	7340	3650	1.5
		mm	38.113	80	30.175	42.875			
GW209PPB2	3	Inch	1.7717	3.3465	1.188	1.188	7350	4150	1.44
		mm	45	85	30.175	30.175			
GW209PPB4	3	Inch	1.535	3.3465	1.188	1.188	7350	4150	1.65
		mm	39	85	30.175	30.175			
GW209PPB11	1	Inch	1.781	3.3465	0.866	1.438	7350	4150	1.37
		mm	45.237	85	22	36.525			
GW210PP2	5	Inch	1.938	3.5433	1.188	1.188	7880	4650	1.69
		mm	49.225	90	30.175	30.175			
GW210PPB2	3	Inch	1.938	3.5433	1.188	1.188	7880	4650	1.5
		mm	49.225	90	30.175	30.175			
GW210PP3	5	Inch	1.375	3.1496	1.188	1.188	7880	4650	1.5
		mm	34.925	80	30.175	30.175			
GW210PPB5	3	Inch	1.785	3.5433	1.188	1.188	7880	4650	1.8
		mm	45.339	90	30.175	30.175			
GW210PP8	5	Inch	1.53	3.5433	1.188	1.188	7880	4650	1.97
		mm	38.862	90	30.175	30.175			
GW210PP9	5	Inch	1.945	3.5433	0.906	1.438	7880	4650	1.75
		mm	49.403	90	23	36.525			
GW211PP2	5	Inch	2.188	3.937	1.312	1.312	9740	5850	2.33
		mm	55.575	100	33.325	33.325			
GW211PPB2	3	Inch	2.188	3.937	1.312	1.312	9740	5850	3
		mm	55.575	100	33.325	33.325			
GW211PPB8	1	Inch	2.188	3.937	0.984	1.312	9740	5850	1.85
		mm	55.575	100	25	33.325			
GW211PPB9	1	Inch	2.195	3.937	0.984	1.562	9740	5850	2.02
		mm	55.753	100	25	39.675			
GW211PPB10	3	Inch	1.938	3.937	1.312	1.312	9740	5850	2.26
		mm	49.225	100	33.325	33.325			
GW211PPB13	1	Inch	1.785	3.937	0.984	1.312	9740	5850	2.02
		mm	45.339	100	25	33.325			
GW211PPB14	1	Inch	2.015	3.937	0.984	1.312	9740	5850	2
		mm	51.181	100	25	33.325			
GW211PP25	5	Inch	1.78	3.937	1.312	1.75	9740	5850	2.44
		mm	45.212	100	33.325	44.45			

Disc Harrow Bearings -Round Bore Greaseable

Part No.	Type	Unit of Measure	d	D	Be	Bi	Load Ratings		Wt. Lbs.
							Dynamic	Static	
GW214PP2	5	Inch	2.7559	4.9213	1.562	1.562	14000	8800	4.19
		mm	70	125	39.675	39.675			
GW214PPB2	3	Inch	2.7559	4.9213	1.562	1.562	14000	8800	3.96
		mm	70	125	39.675	39.675			
GW214PPB3	3	Inch	1.938	4.9213	1.562	1.562	14000	8800	4.24
		mm	49.225	125	39.675	39.675			
GW214PPB5	2	Inch	2.7559	4.9213	1.562	2.438	14000	8800	4.75
		mm	70	125	39.675	61.925			
GW214PPB6	1	Inch	2.6881	4.9213	1.1024	2.6875	14000	8800	5.14
		mm	68.278	125	28	68.263			
GW214PPB9	3	Inch	2.766	4.9213	1.102	1.75	14000	8800	3.96
		mm	70.256	125	28	44.45			
GW216PP5	5	Inch	2.5	5.512	1.1811	2.5	16820	10400	6.32
		mm	63.88	140	30	63.5			

Disc Harrow Bearings -Square Bore Non-Greaseable



Part No.	Type	Unit of Measure	Shaft Size	A	D	Be	Bi	Load Ratings		Wt. Lbs.
								Dynamic	Static	
W208PP5	4	Inch	1 1/8	1.18	3.1496	0.709	1.438	7340	3650	1.5
		mm	28.575	29.97	80	18	36.52			
W208PPB5	1	Inch	1 1/8	1.18	3.1496	0.709	1.438	7340	3650	1.47
		mm	28.575	29.97	80	18	36.52			
W208PP6	4	Inch	1	1.03	3.1496	0.709	1.438	7340	3650	1.62
		mm	25.4	26.162	80	18	36.52			
W208PP8	4	Inch	1 1/8	1.18	3.1496	1.188	1.438	7340	3650	1.66
		mm	28.575	29.972	80	30.175	36.52			
W208PPB8	2	Inch	1 1/8	1.18	3.1496	1.188	1.438	7340	3650	1.66
		mm	28.575	29.972	80	30.175	36.52			
W208PP9	2	Inch	1	1.03	3.1496	1.188	1.438	7340	3650	1.74
		mm	25.4	26.162	80	30.175	36.520			
W208PPB12	6	Inch	1 1/8	1.18	3.376	1.188	1.438	7340	3650	1.62
		mm	28.575	29.972	85.75	30.175	36.52			
W208PPB13	1	Inch	7/8	0.905	3.1496	0.709	1.438	7340	3650	1.62
		mm	22.225	23	80	18	36.52			
W208PP20	1	Inch	1 1/8	1.18	3.1496	0.709	1.438	7340	3650	1.47
		mm	28.575	29.97	80	18	36.52			