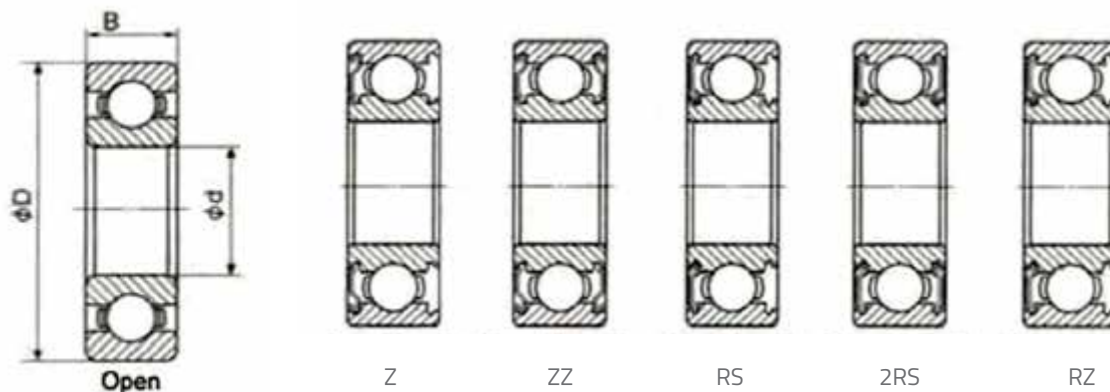


## 16000 Series



Part No.	d	D	B	Dynamic load (kN)	Static load (kN)	N.W. (kg)
16000-2RS	10	26	7	0A	0A	0.01
16001-2RS	12	28	7	5.1	2.37	0.02
16002-2RS	15	32	8	5.6	2.84	0.025
16003-2RS	17	35	8	6	3.25	0.032
16004-2RS	20	42	8	7.9	4.5	0.05
16005-2RS	25	47	8	6.95	4.6	0.06
16006-2RS	30	55	9	9.95	6.55	0.085
16007-2RS	35	62	9	11.7	8.15	0.11
16008-2RS	40	68	9	11.1	8.55	0.125

## 6800 Series

Part No.	d	D	B	Dynamic load (kN)	Static load (kN)	N.W. (kg)
6800-2RS	10	19	5	2.12	0.99	0.005
6801-2RS	12	21	5	1.92	1.04	0.006
6802-2RS	15	24	5	2.08	1.26	0.007
6803-2RS	17	26	5	2.63	1.57	0.008
6804-2RS	20	32	7	4	2.64	0.019
6805-2RS	25	37	7	4.3	2.94	0.022
6806-2RS	30	42	7	5.35	3.8	0.026
6807-2RS	35	47	7	4.75	3.8	0.029
6808-2RS	40	52	7	5.95	4.9	0.033
6809-2RS	45	58	7	5.35	4.9	0.04
6810-2RS	50	65	7	6.4	5.8	0.052
6811-2RS	55	72	9	8.8	8.1	0.083
6812-2RS	60	78	10	10.35	10.18	0.103
6813-2RS	65	85	10	11.9	11.5	0.125
6814-2RS	70	90	10	12.1	11.9	0.135
6815-2RS	75	95	10	1.25	1.28	0.145