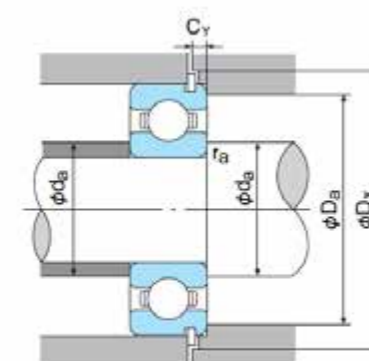
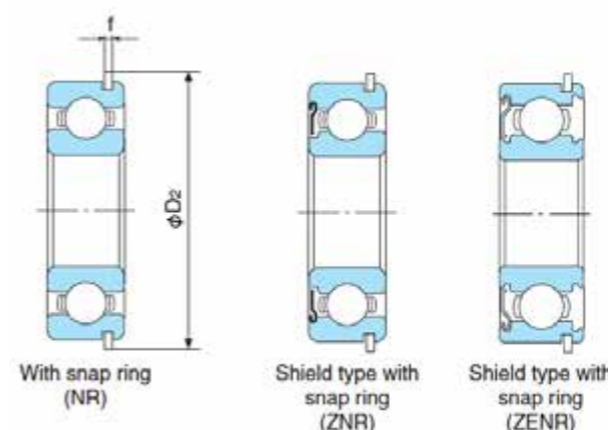
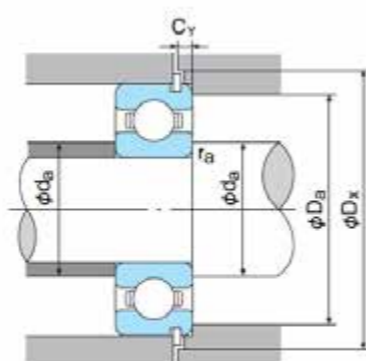
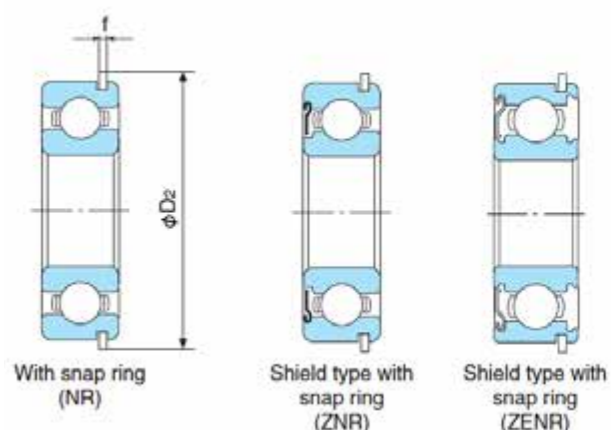


Boundary dimensions (mm)				Bearing No				Basic dynamic load rating Cr (N)	Basic static load rating Cor (N)	Factor fo	Limiting speed (min-1)			Abutment and fillet dimensions (mm)			Mass (kg)	Bearing No
d	D	B	r (min)	Open type	Shield Type	Contact seal type	Non-contact seal type*				Grease Lubrication		Oil lubrication	da (min)	Da (max)	ra (max)		
											Open type, ZE, ZZE, NKE, 2NKE	NSE, 2NSE	Open type, ZE					
10	26	8	0.3	6000	6000ZZE	6000-2NSE	6000-2NKE	4550	1970	12.4	30000	22000	36000	12	24	0.3	0.019	6000
12	28	8	0.3	6001	6001ZZE	6001-2NSE	6001-2NKE	5100	2390	13.2	28000	18000	32000	14	26	0.3	0.023	6001
15	32	9	0.3	6002	6002ZZE	6002-2NSE	6002-2NKE	5600	2840	13.9	24000	15000	28000	17	30	0.3	0.032	6002
17	35	10	0.3	6003	6003ZZE	6003-2NSE	6003-2NKE	6000	3250	14.3	22000	14000	26000	19	33	0.3	0.039	6003
20	42	12	0.6	6004	6004ZZE	6004-2NSE	6004-2NKE	9400	5000	13.9	18000	11000	21000	24	38	0.6	0.07	6004
25	47	12	0.6	6005	6005ZZE	6005-2NSE	6005-2NKE	10100	5850	14.5	15000	9500	18000	29	43	0.6	0.079	6005
30	55	13	1	6006	6006ZZE	6006-2NSE	6006-2NKE	13200	8300	14.8	13000	8000	15000	35	50	1	0.117	6006
35	62	14	1	6007	6007ZZE	6007-2NSE	6007-2NKE	16000	10300	14.8	12000	6800	14000	40	57	1	0.156	6007
40	68	15	1	6008	6008ZZE	6008-2NSE	6008-2NKE	16800	11500	15.3	10000	6100	12000	45	63	1	0.194	6008
45	75	16	1	6009	6009ZZE	6009-2NSE	6009-2NKE	20900	15200	15.3	9200	5400	11000	50	70	1	0.246	6009
50	80	16	1	6010	6010ZZE	6010-2NSE	6010-2NKE	21800	16600	15.6	8500	5000	10000	55	75	1	0.264	6010
55	90	18	1.1	6011	6011ZZE	6011-2NSE	6011-2NKE	28300	21300	15.4	7700	4500	9000	61	84	1	0.384	6011
60	95	18	1.1	6012	6012ZZE	6012-2NSE	6012-2NKE	29400	23200	15.5	7100	4100	8500	66	89	1	0.418	6012
65	100	18	1.1	6013	6013ZZE	6013-2NSE	6013-2NKE	30500	25200	15.7	6700	4000	8000	71	94	1	0.438	6013
70	110	20	1.1	6014	6014ZZE	6014-2NSE	6014-2NKE	38000	31000	15.6	6100	3600	7100	76	104	1	0.607	6014
75	115	20	1.1	6015	6015ZZE	6015-2NSE	6015-2NKE	39500	33500	15.7	5700	3400	6700	81	109	1	0.645	6015
80	125	22	1.1	6016	6016ZZ	6016-2NSL	-	47500	39500	15.6	5300	-	6300	86	119	1	0.855	6016
85	130	22	1.1	6017	6017ZZ	6017-2NSL	-	49500	43000	15.7	5000	-	6000	91	124	1.1	0.895	6017
90	140	24	1.5	6018	6018ZZ	6018-2NSL	-	58000	49500	15.6	4800	-	5600	97	133	1.5	1.17	6018
95	145	24	1.5	6019	6019ZZ	6019-2NSL	-	60500	54000	15.8	4500	-	5300	102	138	1.5	1.22	6019
100	150	24	1.5	6020	6020ZZ	6020-2NSL	-	60000	54000	15.9	4300	-	5300	107	143	1.5	1.26	6020
105	160	26	2	6021	6021ZZ	6021-2NS	-	72500	65500	15.8	4000	-	4800	113	152	2	1.6	6021
110	170	28	2	6022	6022ZZ	6022-2NS	-	84500	73000	15.5	3800	-	4500	118	162	2	1.97	6022
120	180	28	2	6024	6024ZZ	6024-2NS	-	88000	79500	15.7	3600	-	4300	128	172	2	2.67	6024
130	200	33	2	6026	6026ZZ	6026-2NS	-	106000	101000	15.7	3200	-	3800	138	192	2	3.92	6026
140	210	33	2	6028	6028ZZ	-	-	110000	109000	15.9	3000	-	3600	148	202	2	4.15	6028
150	225	35	2.1	6030	6030ZZ	-	-	126000	126000	15.9	2800	-	3200	159	216	2	4.48	6030

* Not a stocked range although available on request.



Boundary dimensions (mm)					Dimensions of snap ring groove and snap ring (mm)				Bearing No.			Basic dynamic load rating Cr (N)	Basic static load rating Cor (N)	Factor fo	Limiting speed (min-1)		Abutment and fillet dimensions (mm)		Bearing No.
d	D	B	r (min)	r1 (min)	D1 (max)	a (max)	b (min)	f (max)	Contact seal type	Open type*	Shield type				Grease lubrication	Oil lubrication	da (min)	Da (max)	
15	32	9	0.3	0.3	30.15	2.06	1.35	1.12	6002-2NSENR	6002NR	6002ZENR	5600	2840	13.9	24000	28000	17	30	6002
17	35	10	0.3	0.3	33.17	2.06	1.35	1.12	6003-2NSENR	6003NR	6003ZENR	6000	3250	14.3	22000	26000	19	33	6003
20	42	12	0.6	0.5	39.75	2.06	1.35	1.12	6004-2NSENR	6004NR	6004ZENR	9400	5000	13.9	18000	21000	24	38	6004
25	47	12	0.6	0.5	44.6	2.06	1.35	1.12	6005-2NSENR	6005NR	6005ZENR	10100	5850	14.5	15000	18000	29	43	6005
30	55	13	1	0.5	52.6	2.08	1.35	1.12	6006-2NSENR	6006NR	6006ZENR	13200	8300	14.8	13000	15000	35	50	6006
35	62	14	1	0.5	59.61	2.08	1.9	1.7	6007-2NSENR	6007NR	6007ZENR	16000	10300	14.8	12000	14000	40	57	6007
40	68	15	1	0.5	64.82	2.49	1.9	1.7	6008-2NSENR	6008NR	6008ZENR	16800	11500	15.3	10000	12000	45	63	6008
45	75	16	1	0.5	71.83	2.49	1.9	1.7	6009-2NSENR	6009NR	6009ZENR	20900	15200	15.3	9200	11000	50	70	6009
50	80	16	1	0.5	76.81	2.49	1.9	1.7	6010-2NSENR	6010NR	6010ZENR	21800	16600	15.6	8500	10000	55	75	6010
65	100	18	1.1	0.5	96.8	2.87	2.7	2.46	-	6013NR	6013ZENR	30500	25200	15.7	6700	8000	71	94	6013
70	110	20	1.1	0.5	106.81	2.87	2.7	2.46	-	6014NR	6014ZENR	38000	31000	15.6	6100	7100	76	104	6014
75	115	20	1.1	0.5	111.81	2.87	2.7	2.46	-	6015NR	6015ZENR	39500	33500	15.7	5700	6700	81	109	6015
80	125	22	1.1	0.5	120.22	2.87	3.1	2.82	-	6016NR	6016ZENR	47500	39500	15.6	5300	6300	86	119	6016

* Not a stocked range although available on request.