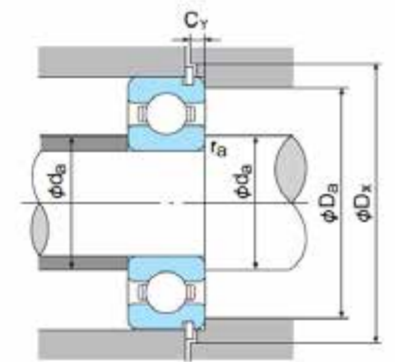
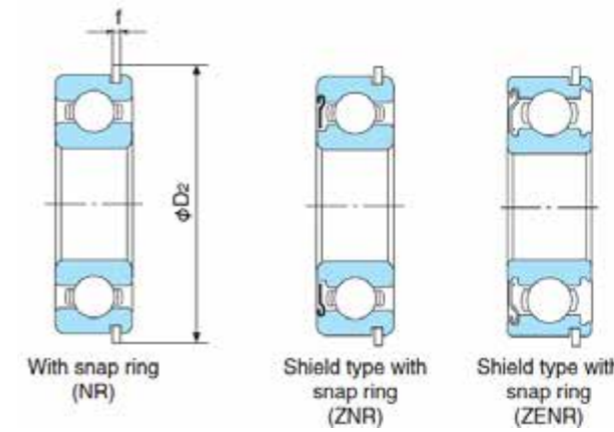
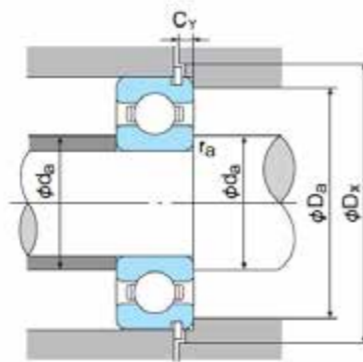
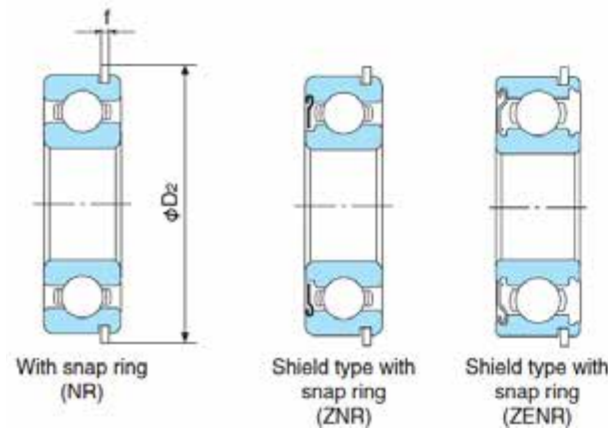


Boundary dimensions (mm)				Bearing No				Basic dynamic load rating Cr (N)	Basic static load rating Cor (N)	Factor fo	Limiting speed (min-1)			Abutment and fillet dimensions (mm)			Mass (kg)	Bearing No
d	D	B	r (min)	Open type	Shield type	Contact seal type	Non-contact seal type*				Grease lubrication		Oil lubrication	da (min)	Da (max)	ra (max)		
											Open type, ZE, ZZE, NKE, 2NKE	NSE, 2NSE	Open type, ZE					
10	30	9	0.6	6200	6200ZZE	6200-2NSE	6200-2NKE	5100	2390	13.2	25000	18000	30000	15	25	0.6	0.032	6200
12	32	10	0.6	6201	6201ZZE	6201-2NSE	6201-2NKE	6800	3050	12.3	22000	17000	28000	17	27	0.6	0.037	6201
15	35	11	0.6	6202	6202ZZE	6202-2NSE	6202-2NKE	7650	3700	13.1	20000	15000	24000	20	30	0.6	0.045	6202
17	40	12	0.6	6203	6203ZZE	6203-2NSE	6203-2NKE	9550	4800	13.1	18000	12000	21000	22	35	0.6	0.6	6203
20	47	14	1	6204	6204ZZE	6204-2NSE	6204-2NKE	12800	6600	13.1	16000	11000	18000	26	41	1	0.106	6204
25	52	15	1	6205	6205ZZE	6205-2NSE	6205-2NKE	14000	7900	13.9	13000	9000	16000	31	46	1	0.128	6205
30	62	16	1	6206	6206ZZE	6206-2NSE	6206-2NKE	19500	11300	13.9	11000	7500	13000	36	56	1	0.199	6206
35	72	17	1.1	6207	6207ZZE	6207-2NSE	6207-2NKE	25700	15300	13.8	9800	6300	11000	42	65	1	0.288	6207
40	80	18	1.1	6208	6208ZZE	6208-2NSE	6208-2NKE	29100	17900	14	8700	5600	10000	47	73	1	0.366	6208
45	85	19	1.1	6209	6209ZZE	6209-2NSE	6209-2NKE	32500	20500	14.1	7800	5300	9300	52	78	1	0.407	6209
50	90	20	1.1	6210	6210ZZE	6210-2NSE	6210-2NKE	35000	23200	14.4	7100	4800	8600	57	83	1	0.463	6210
55	100	21	1.5	6211	6211ZZE	6211-2NSE	6211-2NKE	43500	29300	14.4	6400	4300	7700	64	91	1.5	0.607	6211
60	110	22	1.5	6212	6212ZZE	6212-2NSE	6212-2NKE	52500	36000	14.3	6000	3800	7100	69	101	1.5	0.783	6212
65	120	23	1.5	6213	6213ZZE	6213-2NSE	6213-2NKE	57000	40000	14.4	5500	3600	6500	74	111	1.5	0.99	6213
70	125	24	1.5	6214	6214ZZE	6214-2NSE	6214-2NKE	62000	44000	14.4	5100	3400	6300	79	116	1.5	1.07	6214
75	130	25	1.5	6215	6215ZZE	6215-2NSE	6215-2NKE	66000	49500	14.7	4800	3200	5600	84	121	1.5	1.18	6215
80	140	26	2	6216	6216ZZ	6216-2NSL	6216NK	72500	53000	14.6	4500	3000	5300	90	130	2	1.4	6216
85	150	28	2	6217	6217ZZ	6217-2NSL	6217NK	84000	62000	14.5	4300	2800	5000	95	140	2	1.79	6217
90	160	30	2	6218	6218ZZ	6218-2NSL	6218NK	96000	71500	14.5	4000	2600	4800	100	150	2	2.15	6218
95	170	32	2.1	6219	6219ZZ	6219-2NSL	6219NK	109000	81500	14.4	3800	2600	4500	107	158	2	2.62	6219
100	180	34	2.1	6220	6220ZZ	6220-2NSL	6220NK	122000	93000	14.4	3600	2400	4300	112	168	2	3.14	6220
105	190	36	2.1	6221	6221ZZ	6221-2NS	-	133000	104000	14.3	3400	-	4000	117	178	2	3.76	6221
110	200	38	2.1	6222	6222ZZ	6222-2NS	-	144000	117000	14.3	3200	-	3800	122	188	2	4.36	6222
120	215	40	2.1	6224	6224ZZ	-	-	145000	118000	14.4	2900	-	3400	132	203	2	5.15	6224

* Not a stocked range although available on request.



Boundary dimensions (mm)					Dimensions of snap ring groove and snap ring (mm)				Bearing No.			Basic dynamic load rating Cr (N)	Basic static load rating Cor (N)	Factor fo	Limiting speed (min-1)		Abutment and fillet dimensions (mm)		Bearing No.	Mass (kg)
d	D	B	r (min)	r1 (min)	D1 (max)	a (max)	b (min)	f (max)	Contact seal type	Open type*	Shield type				Grease lubrication	Oil lubrication	da (min)	Da (max)		
12	32	10	0.6	0.5	30.15	2.06	1.35	1.12	6201-2NSEN	6201NR	6201ZENR	6800	3050	12.3	22000	28000	17	27	6201	0.037
15	35	11	0.6	0.5	39.75	2.06	1.35	1.12	6202-2NSEN	6202NR	6202ZENR	7650	3700	13.1	20000	24000	21	30	6202	0.045
17	40	12	0.6	0.5	44.6	2.46	1.35	1.12	6203-2NSEN	6203NR	6203ZENR	9550	4800	13.1	18000	21000	22	35	6203	0.065
20	47	14	1	0.5	44.6	2.46	1.35	1.12	6204-2NSEN	6204NR	6204ZENR	12800	6600	13.1	16000	18000	26	41	6204	0.106
25	52	15	1	0.5	49.73	2.46	1.35	1.12	6205-2NSEN	6205NR	6205ZENR	14000	7900	13.9	13000	16000	31	46	6205	0.128
30	62	16	1	0.5	59.61	3.28	1.9	1.7	6206-2NSEN	6206NR	6206ZENR	19500	11300	13.9	11000	13000	36	56	6206	0.199
35	72	17	1.1	0.5	68.81	3.28	1.9	1.6	6207-2NSEN	6207NR	6207ZENR	25700	15300	13.8	9800	11000	42	65	6207	0.288
40	80	18	1.1	0.5	76.81	3.28	1.9	1.7	6208-2NSEN	6208NR	6208ZENR	29100	17900	14	8700	10000	47	73	6208	0.366
45	85	19	1.1	0.5	81.81	3.28	1.9	1.7	6209-2NSEN	6209NR	6209ZENR	32500	20500	14.1	7800	9300	52	78	6209	0.407
50	90	20	1.1	0.5	86.79	3.28	2.7	2.46	6210-2NSEN	6210NR	6210ZENR	35000	23200	14.4	7100	8600	57	83	6210	0.463
55	100	21	1.5	0.5	96.8	3.28	2.7	2.46	6211-2NSEN	6211NR	6211ZENR	43500	29300	14.4	6400	7700	64	91	6211	0.607
60	110	22	1.5	0.5	106.81	3.28	2.7	2.46	6212-2NSEN	6212NR	6212ZENR	52500	36000	14.3	6000	7100	69	101	6212	0.783
65	120	23	1.5	0.5	115.21	4.06	3.1	2.82	-	6213NR	6213ZENR	57000	40000	14.4	5500	6500	74	111	6213	0.99
80	140	26	2	0.5	135.23	4.9	3.1	2.82	-	6216NR	6216ZENR	72500	53000	14.6	4500	5300	90	130	6216	1.4

* Not a stocked range although available on request.