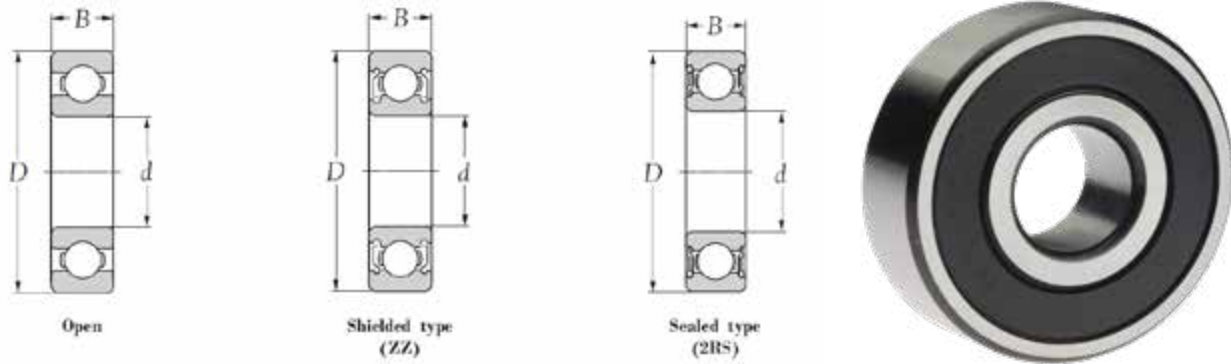
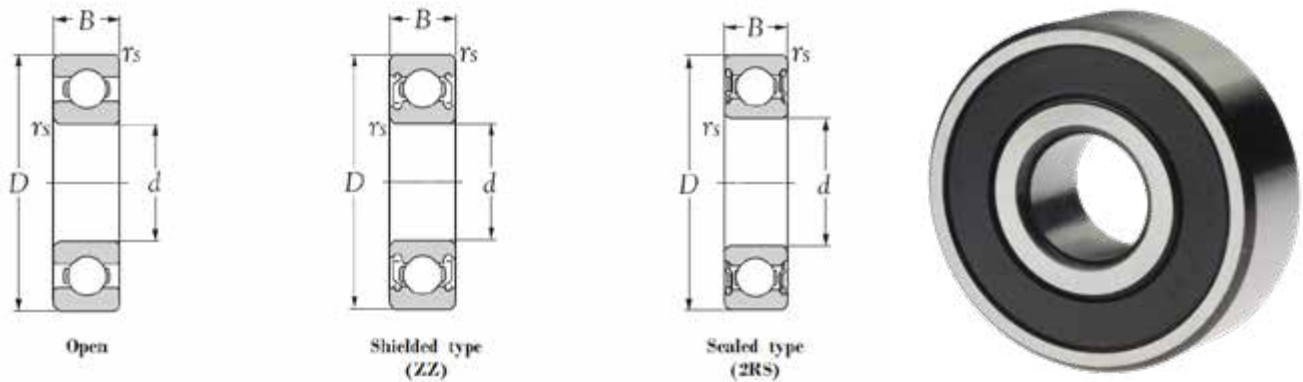


RLS & RMS Series



Boundary dimension (mm)			Basic load ratings (N)		Limiting speeds		Bearing Numbers			Mass (kg)
d	D	B	dynamic Cr	static Cor	grease rpm	oil				
1/2	1 5/16	3/8	5162	3026	21000	28500	RLS 4	RLS 4 ZZ	RLS 4 2RS	0.037
	1 5/8	5/8	9034	5607	18500	25000	RMS 4	RMS 4 ZZ	RMS 4 2RS	0.096
5/8	1 9/16	7/16	7387	4361	18000	24000	RLS 5	RLS 5 ZZ	RLS 5 2RS	0.059
	1 13/16	5/8	9345	5607	16500	22000	RMS 5	RMS 5 ZZ	RMS 5 2RS	0.117
3/4	1 7/8	9/16	10547	6542	15500	21000	RLS 6	RLS 6 ZZ	RLS 6 2RS	0.109
	2	11/16	12193	7788	14700	20000	RMS 6	RMS 6 ZZ	RMS 6 2RS	0.156
7/8	2	9/16	10725	6542	14300	19500	RLS 7	RLS 7 ZZ	RLS 7 2RS	0.116
	2 1/4	11/16	14196	9123	13300	18000	RMS 7	RMS 7 ZZ	RMS 7 2RS	0.197
1	2 1/4	5/8	13795	8900	12700	17000	RLS 8	RLS 8 ZZ	RLS 8 2RS	0.169
	2 1/2	3/4	16332	10547	12200	16500	RMS 8	RMS 8 ZZ	RMS 8 2RS	0.262
1 1/8	2 1/2	5/8	14997	10013	11700	15500	RLS 9	RLS 9 ZZ	RLS 9 2RS	0.22
	2 13/16	13/16	22695	15842	10800	14500	RMS 9	RMS 9 ZZ	RMS 9 2RS	0.347
1 1/4	2 3/4	11/16	20470	13929	10600	14400	RLS 10	RLS 10 ZZ	RLS 10 2RS	0.276
	3 1/5	7/8	27902	19536	9800	13200	RMS 10	RMS 10 ZZ	RMS 10 2RS	0.476
1 3/8	3	11/16	23051	15842	9800	13200	RLS 11	RLS 11 ZZ	RLS 11 RS	0.333
	3 1/2	7/8	33598	23852	8800	11900	RMS 11	RMS 11 ZZ	RMS 11 2RS	0.608
1 1/2	3 1/4	3/4	25810	17889	9000	12200	RLS 12	RLS 12 ZZ	RLS 12 2RS	0.418
	3 3/4	15/16	36490	26211	8200	11000	RMS 12	RMS 12 ZZ	RMS 12 2RS	0.753
1 5/8	4	15/16	40495	30038	7700	10300	RMS 13	RMS 13 ZZ	RMS 13 2RS	0.857
1 3/4	3 3/4	13/16	31595	22339	7800	10600	RLS 14	RLS 14 ZZ	RLS 14 2RS	0.594
	4 1/4	1 1/16	43254	31195	7100	9600	RMS 14	RMS 14 ZZ	RMS 14 2RS	1.061
1 7/8	4	13/16	37380	27857	7200	9800	RLS 15	RLS 15 ZZ	RLS 15 2RS	0.78
2	4	13/16	37558	27857	7200	9800	RLS 16	RLS 16 ZZ	RLS 16 2RS	0.667
	4 1/2	1 1/16	51175	38715	5900	8000	RMS 16	RMS 16 ZZ	RMS 16 2RS	1.175
2 1/4	5	1 1/4	62745	48505	4600	6200	RMS 18	RMS 18 ZZ	RMS 18 2RS	1.601

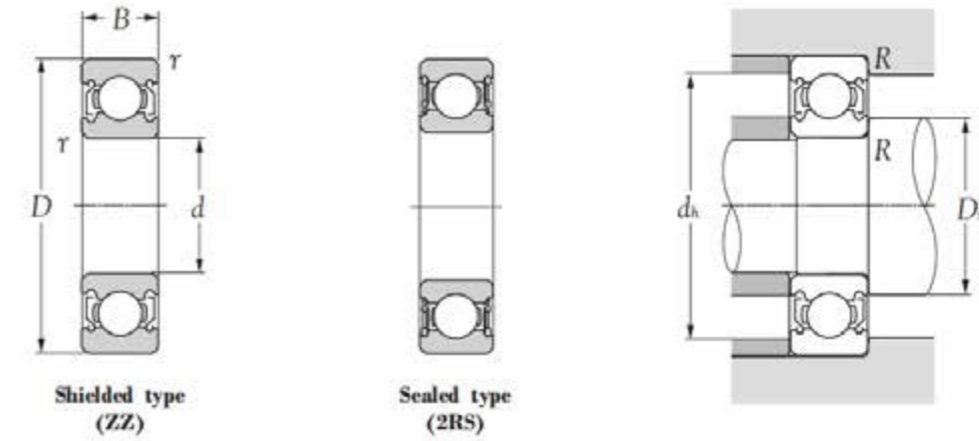
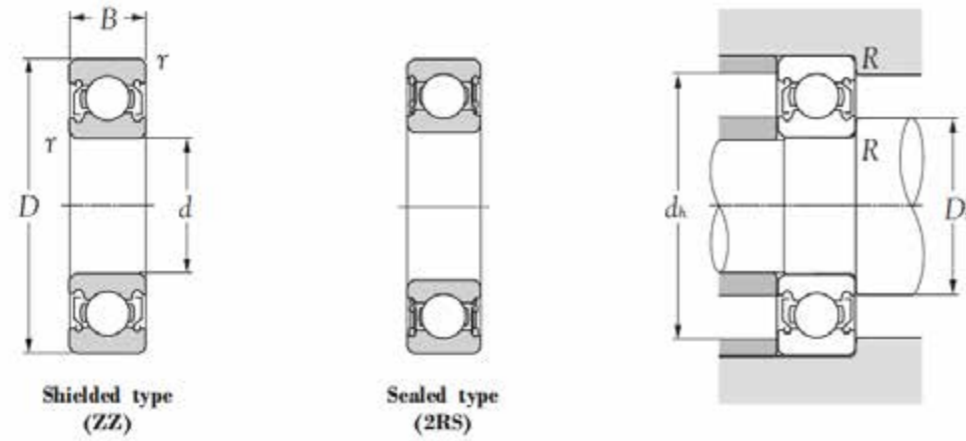
R Series



Boundary dimension (mm)				Basic load ratings (N)		Limiting speeds		Bearing numbers			Mass (kg)
d	D	B	r	dynamic	static	grease	oil	open	w/ Shields	w/ seals	
				Cr	Cor	rpm					
1/8	9.525	3.967 (5/32)	0.3	630	218	56000	67000	R 2	-	-	0.0012
	3/8	3.967 (5/32)					-	-	R 2 ZZ	R 2 2RS	0.0014
3/16	12.7	3.967 (5/32)	0.3	1310	490	41000	48000	R 3	-	-	0.0032
	1/2	4.978 (13/64)					-	-	R 3 ZZ	R 4 2RS	0.0024
1/4	15.875	3.967 (5/32)	0.4	1480	615	36000	43000	R 4	-	-	0.0040
	5/8	4.978 (13/64)					-	-	R 4 ZZ	R 4 2RS	0.0044
1/4	19.050	5.556 (7/32)	0.4	1480	615	36000	43000	R 4A	-	-	0.004
	3/4	7.142 (9/32)					-	-	R 4A ZZ	R 4A 2RS	0.004
3/8	22.525	5.556 (7/32)	1.0	3300	1400	31000	37000	R 6	-	-	0.0136
	7/8	7.142 (9/32)					-	-	R 6 ZZ	R 6 2RS	0.0140
1/2	28.575	6.350 (1/4)	1.0	3950	2250	26000	31000	R 8	-	-	0.0165
	1 1/8	7.938 (5/16)					-	-	R 8 ZZ	R 8 2RS	0.0180
5/8	34.925	7.140 (9/32)	1.0	4600	2800	21000	25000	R 10	-	-	0.0340
	1 3/8	8.733 (11/32)					-	-	R 10 ZZ	R 10 ZZ	0.0370
3/4	41.275	7.938 (5/16)	1.0	7250	4450	16000	21000	R 12	-	-	0.0440
	1 5/8	11.112 (7/16)					-	-	R 12 ZZ	R 12 ZZ	0.0470
7/8	47.62	9.525(3/8)	1	7250	4950	12000	16000	R 14	-	-	0.07
	1 7/8	12.7 (1/2)					-	-	R 14 ZZ	R 14 2RS	0.072
1	50.8	9.525(3/8)	1	8250	5450	11000	15000	R 16	-	-	0.081
	2	12.7 (1/2)					-	-	R 16 ZZ	R 16 2RS	0.085
1 1/8	53.975	9.525 (3/8)	1	9600	6260	10000	13000	R 18	-	-	0.086
	2 1/8	12.7 (1/2)					-	-	R 18 ZZ	R 18 2RS	0.09
1 1/4	57.15	9.525(3/8)	1	10800	7520	9000	11000	R 20	-	-	0.09
	2 1/4	12.700 (1/2)					-	-	R 20 ZZ	R 20 2RS	0.095
1 1/2	66.67	11.112(7/16)	1	13150	9450	6000	7500	R 24	-	-	0.136
	2 5/8	14.288 (9/16)					-	-	R 24 ZZ	R 24 2RS	0.14

6200 Series

6200 Series



Boundary dimension (mm)				Basic load ratings (N)		Limiting speeds		Bearing numbers	Abutment and fillet dimensions(mm)				Mass (kg)	
d	D	B	r	dynamic	static	grease	oil		Ds	Ds	dh	R		
				Cr	Cor	rpm								min
1/2	32	10	0.6	6100	2750	22000	26000	6201-1/2" ZZ	6202-1/2" 2RS	17	17.5	27.000	0.6	0.037
5/8	35	11	0.6	7750	3600	19000	23000	6202-5/8" ZZ	6202-5/8" 2RS	20	20.5	30	0.6	0.045
1/2	35	11	0.6	7750	3600	19000	23000	6202-1/2" ZZ	6202-1/2" 2RS	20	20.5	30	0.6	0.045
16	35	11	0.6	7750	3600	19000	23000	6202-16mm ZZ	6202-16m 2RS	20	20.5	30	0.6	0.045
16	40	12	0.6	9600	4600	18000	21000	6203-16mm ZZ	6203-16mm 2RS	22	23	35	0.6	0.066
1/2	40	12	0.6	9600	4600	18000	21000	6203-1/2" ZZ	6203-1/2" 2RS	22	23	35	0.6	0.066
5/8	40	12	0.6	9600	4600	18000	21000	6203-5/8" ZZ	6203-5/8" 2RS	22	23	35	0.6	0.066
3/4	40	12	0.6	9600	4600	18000	21000	6203-3/4" ZZ	6203-3/4" 2RS	22	23	35	0.6	0.066
3/4	47	14	1	12800	6650	16000	18000	6204-3/4" ZZ	6204-3/4" 2RS	26	28	41	1	0.106
1	47	12	-	-	-	-	-	-	6005-1 2RS	-	-	-	-	-
1	52	15	1	14000	7850	13000	15000	6205-1" ZZ	6205-1" 2RS	31	32	46	1	0.128
3/4	52	15	-	-	-	-	-	-	6205-3/4 2RS	31	32	46	1	0.152

* Not a stocked range although available on request.