

# Deep Groove Ball Bearings 6300 Series w/ Snap Ring

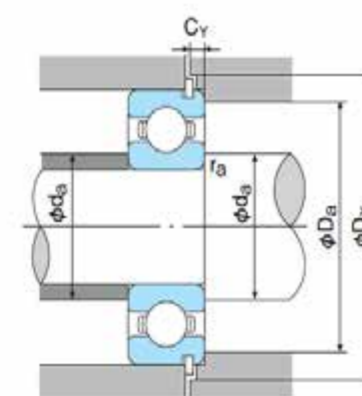
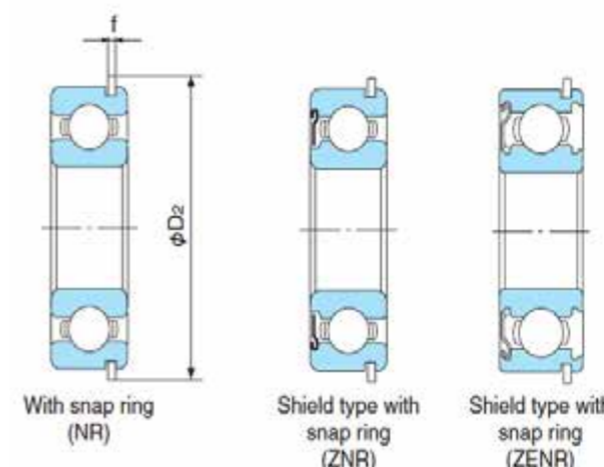
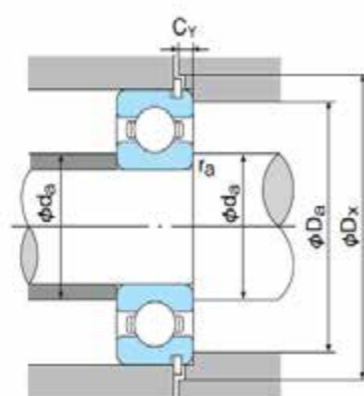
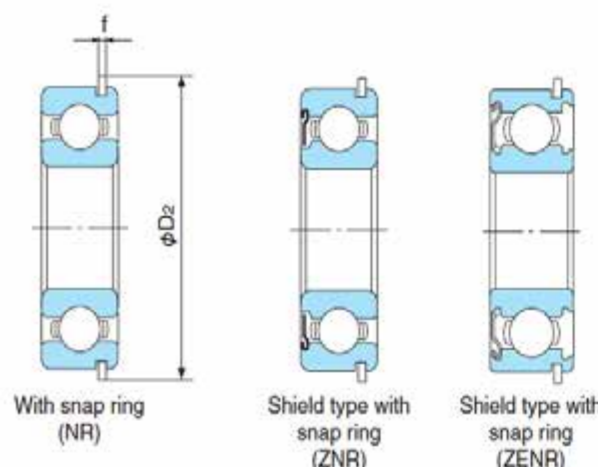
**NACHI**

Finer Power Transmissions P/L | www.finerpt.com

**NACHI**

Finer Power Transmissions P/L | www.finerpt.com

# Deep Groove Ball Bearings 6300 Series w/ Snap Ring



Boundary dimensions (mm)					Dimensions of snap ring groove and snap ring (mm)					Bearing No.			Basic dynamic load rating Cr (N)	Basic static load rating Cor (N)	Factor fo	Limiting speed (min-1)		Abutment and fillet dimensions (mm)		Mass (kg)	Bearing No
d	D	B	r (min)	r1 (min)	D1 (max)	a (max)	b (min)	D2 (max)	f (max)	Contact seal type	Open type*	Shield type				Grease lubrication	Oil lubrication	da (min)	Da (max)		
15	42	13	1	0.5	39.75	2.06	1.35	46.3	1.12	6302-2NSENR	6302NR	6302ZENR	11400	5400	12.3	17000	21000	21	36	0.082	6302
17	47	14	1	0.5	44.6	2.46	1.35	52.7	1.12	6303-2NSENR	6303NR	6303ZENR	13600	6550	12.3	16000	19000	23	41	0.115	6303
20	52	15	1.1	0.5	49.73	2.46	1.35	57.9	1.12	6304-2NSENR	6304NR	6304ZENR	15900	7900	12.4	14000	17000	27	45	0.144	6304
25	62	17	1.1	0.5	59.61	3.28	1.9	67.7	1.7	6305-2NSENR	6305NR	6305ZENR	23600	12100	12.2	12000	14000	32	55	0.232	6305
30	72	19	1.1	0.5	68.81	3.28	1.9	78.6	1.7	6306-2NSENR	6306NR	6306ZENR	26700	15000	13.2	10000	12000	37	65	0.346	6306
35	80	21	1.5	0.5	76.81	3.28	1.9	86.6	1.6	6307-2NSENR	6307NR	6307ZENR	33500	19100	13.2	8800	10000	44	71	0.457	6307
40	90	23	1.5	0.5	86.79	3.28	2.7	96.5	2.46	6308-2NSENR	6308NR	6308ZENR	40500	24100	13.2	7800	9200	49	81	0.633	6308
45	100	25	1.5	0.5	96.8	3.28	2.7	106.5	2.46	6309-2NSENR	6309NR	6309ZENR	53000	32000	13.1	7000	8200	54	91	0.833	6309
50	110	27	2	0.5	106.81	3.28	2.7	116.6	2.46	6310-2NSENR	6310NR	6310ZENR	62000	38100	13.1	6400	7500	60	100	1.07	6310
55	120	29	2	0.5	115.21	4.06	3.1	129.7	2.82	6311-2NSENR	6311NR	6311ZENR	71500	44500	13.1	5800	6800	65	110	1.37	6311
60	130	31	2.1	0.5	125.22	4.06	3.1	139.7	2.82	6312-2NSENR	6312NR	6312ZENR	82000	52000	13.2	5400	6300	72	118	1.7	6312
65	140	33	2.1	0.5	135.23	4.9	3.1	149.7	2.82	6313-2NSENR	6313NR	6313ZENR	92500	59500	13.2	4900	6000	77	128	2.08	6313

# Deep Groove Ball Bearings 62/22 & 63/32 Series and Specials

# Deep Groove Ball Bearings 62/22 & 63/32 Series and Specials

Boundary dimensions (mm)				Bearing No				Basic dynamic load rating Cr (N)	Basic static load rating Cor (N)	Factor fo	Limiting speed (min-1)			Abutment and fillet dimensions (mm)		Mass (kg)	Bearing No
d	D	B	r (min)	Open type	Shield type	Contact seal type	Non-contact seal type*				Grease lubrication	Oil lubrication	da (min)	Da (max)			
22	56	16	1.1	63/22	63/22ZZE	63/22-2NSE	63/22-2NKE	18400	9250	12.4	13000	9500	16000	29	49	0.176	63/22
28	58	16	1	62/28	62/28ZZE	62/28-2NSE	62/28-2NSE	17900	9750	13.1	12000	8200	14000	34	52	0.175	62/28
28	68	18	1.1	63/28	63/28ZZE	63/28-2NSE	63/28-2NSE	26800	14000	12.4	11000	7500	13000	35	61	0.287	63/28
32	65	17	1	62/32	62/32ZZE	62/32-2NSE	62/32-2NKE	22400	13100	13.6	11000	7100	12000	38	59	0.23	62/32
32	75	20	1.1	63/32	63/32ZZE	63/32-2NSE	63/32-2NKE	30000	16200	12.7	9500	6500	11000	39	68	0.382	63/32

\* Not a stocked range although available on request.