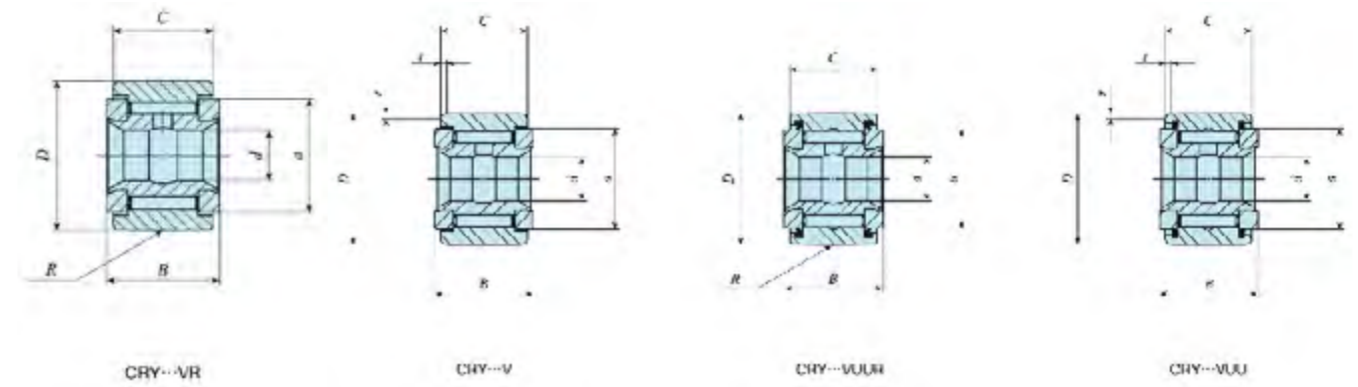
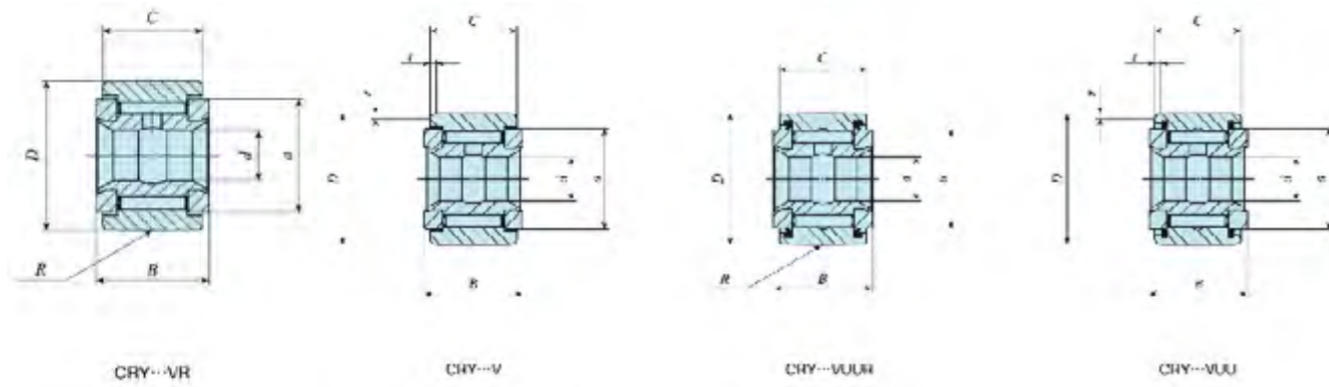


CRY-VUUR Non-Separable Full Complement Series

CRY-VUUR Non-Separable Full Complement Series



Shaft dia. (inch)	Identification number		Mass (Ref.) g	Dimensions mm (inch)					R	r	Shaft dia.						Basic dynamic load rating CN	Basic static load rating CO
	Shield type Crowner outer ring*	Sealed type Crowned outer ring		d	D	B	C	a			Push fit		Drive fit		Press fit			
											Min.	Max.	Min.	Max.	Min.	Max.		
1/4	CRY 12 V	CRY 12 VUUR	27	6.350 (1/4)	19.050 (3/4)	14.288 (9/16)	12.700 (1/2)	14.4 (9/16)	-	0.794 (1/32)	6.332	6.342	6.348	6.358	6.353	6.363	8 710	12 300
	CRY 12 VR	CRY 12 VUUR	27	6.350 (1/4)	19.050 (3/4)	14.288 (9/16)	12.700 (1/2)	14.4 (9/16)	250 (10)	-	6.332	6.342	6.348	6.358	6.353	6.363	8 710	12 300
	CRY 14 V	CRY 14 VUUR	36	6.350 (1/4)	22.225 (7/8)	14.288 (9/16)	12.700 (1/2)	14.4 (9/16)	-	0.794 (1/32)	6.332	6.342	6.348	6.358	6.353	6.363	8 710	12 300
	CRY 14 VR	CRY 14 VUUR	36	6.350 (1/4)	22.225 (7/8)	14.288 (9/16)	12.700 (1/2)	14.4 (9/16)	250 (10)	-	6.332	6.342	6.348	6.358	6.353	6.363	8 710	12 300
5/16	CRY 16 V	CRY 16 VUUR	68	7.938 (5/16)	25.400 (1)	17.463 (11/16)	15.875 (5/8)	19.6 (49/64)	-	1.191 (3/64)	7.92	7.93	7.935	7.945	7.94	7.95	13 100	22 700
	CRY 16 VR	CRY 16 VUUR	68	7.938 (5/16)	25.400 (1)	17.463 (11/16)	15.875 (5/8)	19.6 (49/64)	300 (12)	-	7.92	7.93	7.935	7.945	7.94	7.95	13 100	22 700
	CRY 18 V	CRY 18 VUUR	77	7.938 (5/16)	28.575 (1 1/8)	17.463 (11/16)	15.875 (5/8)	19.6 (49/64)	-	1.588 (1/16)	7.92	7.93	7.935	7.945	7.94	7.95	13 100	22 700
3/8	CRY 20 V	CRY 20 VUUR	109	9.525 (3/8)	31.750 (1 1/4)	20.638 (13/16)	19.050 (3/4)	25.0 (63/64)	-	1.588 (1/16)	9.507	9.517	9.523	9.533	9.528	9.538	23 600	31 700
	CRY 22 V	CRY 22 VUUR	136	9.525 (3/8)	34.925 (1 3/8)	20.638 (13/16)	19.050 (3/4)	25.0 (63/64)	-	1.588 (1/16)	9.507	9.517	9.523	9.533	9.528	9.538	23 600	31 700
7/16	CRY 24 V	CRY 24 VUUR	186	11.112 (7/16)	38.100 (1 1/2)	23.813 (15/16)	22.225 (7/8)	28.8 (1 9/64)	-	1.588 (1/16)	11.095	11.105	11.11	11.12	11.115	11.125	28 200	40 100
	CRY 26 V	CRY 26 VUUR	227	11.112 (7/16)	41.275 (1 5/8)	23.813 (15/16)	22.225 (7/8)	28.8 (1 9/64)	-	1.588 (1/16)	11.095	11.105	11.11	11.12	11.115	11.125	28 200	40 100
1/2	CRY 28 V	CRY 28 VUUR	290	12.700 (1/2)	44.450 (1 3/4)	26.988 (1 1/16)	25.400 (1)	32.7 (1 9/32)	-	1.588 (1/16)	12.682	12.692	12.698	12.708	12.708	12.718	35 300	55 600
	CRY 28 VR	CRY 28 VUUR	290	12.700 (1/2)	44.450 (1 3/4)	26.988 (1 1/16)	25.400 (1)	32.7 (1 9/32)	500 (20)	-	12.682	12.692	12.698	12.708	12.708	12.718	35 300	55 600
	CRY 30 V	CRY 30 VUUR	363	12.700 (1/2)	47.625 (1 7/8)	26.988 (1 1/16)	25.400 (1)	32.7 (1 9/32)	-	1.588 (1/16)	12.682	12.692	12.698	12.708	12.708	12.718	35 300	55 600
5/8	CRY 32 V	CRY 32 VUUR	476	15.875 (5/8)	50.800 (2)	33.338 (1 5/16)	31.750 (1 1/4)	36.0 (1 27/64)	-	1.588 (1/16)	15.857	15.867	15.873	15.883	15.883	15.893	45 700	80 600
	CRY 32 VR	CRY 32 VUUR	476	15.875 (5/8)	50.800 (2)	33.338 (1 5/16)	31.750 (1 1/4)	36.0 (1 27/64)	600 (24)	-	15.857	15.867	15.873	15.883	15.883	15.893	45 700	80 600
	CRY 36 V	CRY 36 VUUR	599	15.875 (5/8)	57.150 (2 1/4)	33.338 (1 5/16)	31.750 (1 1/4)	36.0 (1 27/64)	-	1.588 (1/16)	15.857	15.867	15.873	15.883	15.883	15.893	45 700	80 600
3/4	CRY 40 V	CRY 40 VUUR	816	19.050 (3/4)	63.500 (2 1/2)	39.688 (1 9/16)	38.100 (1 1/2)	43.3 (1 45/64)	-	2.381 (3/32)	19.032	19.042	19.048	19.058	19.058	19.068	61 400	116 000
	CRY 44 V	CRY 44 VUUR	1 020	19.050 (3/4)	69.850 (2 3/4)	39.688 (1 9/16)	38.100 (1 1/2)	43.3 (1 45/64)	-	2.381 (3/32)	19.032	19.042	19.048	19.058	19.058	19.068	61 400	116 000
1	CRY 48 V	CRY 48 VUUR	1 410	25.400 (1)	76.200 (3)	46.038 (1 13/16)	44.450 (1 3/4)	54.0 (2 1/8)	-	2.381 (3/32)	25.377	25.39	25.397	25.41	25.408	25.42	77 600	172 000
	CRY 52 V	CRY 52 VUUR	1 640	25.400 (1)	82.550 (3 1/4)	46.038 (1 13/16)	44.450 (1 3/4)	54.0 (2 1/8)	-	2.381 (3/32)	25.377	25.39	25.397	25.41	25.408	25.42	77 600	172 000
1 1/8	CRY 56 V	CRY 56 VUUR	2 250	28.575 (1 1/8)	88.900 (3 1/2)	52.388 (2 1/16)	50.800 (2)	61.9 (2 7/16)	-	2.381 (3/32)	28.522	28.565	28.572	28.585	28.583	28.595	111 000	239 000
1 1/4	CRY 64 V	CRY 64 VUUR	3 200	31.750 (1 1/4)	101.600 (4)	58.738 (2 5/16)	57.150 (2 1/4)	71.0 (2 51/64)	-	2.381 (3/32)	31.727	31.74	31.747	31.76	31.758	31.77	142 000	317 000
	CRY 64 VR	CRY 64 VUUR	3 200	31.750 (1 1/4)	101.600 (4)	58.738 (2 5/16)	57.150 (2 1/4)	71.0 (2 51/64)	760 (30)	-	31.727	31.74	31.747	31.76	31.758	31.77	142 000	317 000

* Not a stocked range although available on request.