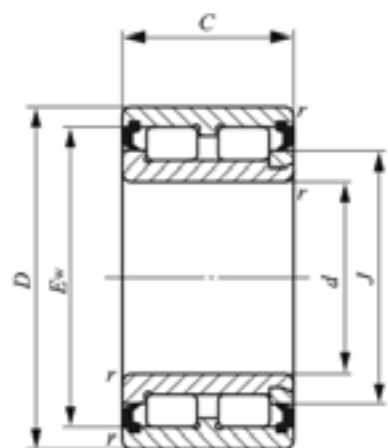
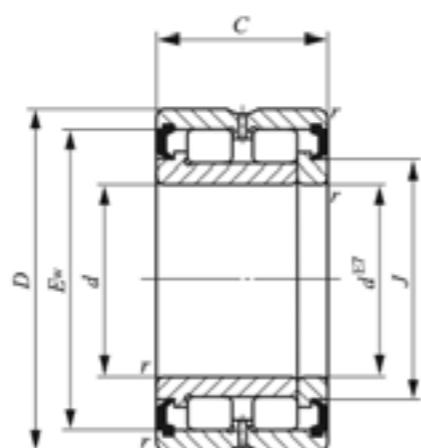


NAG 49UU Rubber Sealed Series

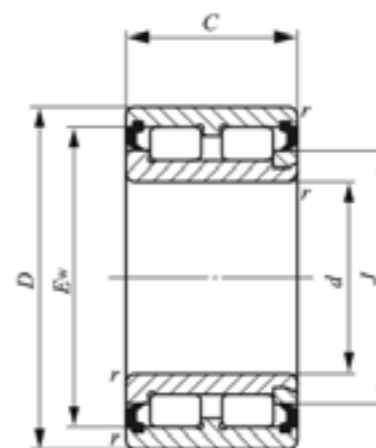
NAG 49UU Rubber Sealed Series



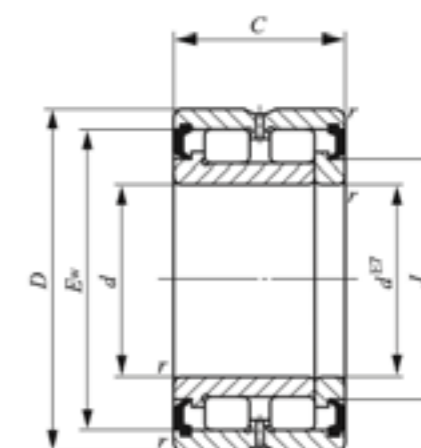
NAG49...UU
(d ≤ 17)



NAG49...UU



NAG49...UU
(d ≤ 17)



NAG49...UU

| Shaft dia. mm | Identification number Full complement type | Mass (Ref.) g | Boundary dimensions mm | | | | | | Basic dynamic load rating C N | Basic static load rating C0 N | Allowable rotational speed(2) rpm |
|---------------|---|---------------|------------------------|-----|----|---------|------|------|-------------------------------|-------------------------------|-----------------------------------|
| | | | d | D | C | r a min | J | Ew | | | |
| 10 | NAG 4900UU | 25.5 | 10 | 22 | 13 | 0.3 | 15.5 | 19.5 | 9 650 | 10 800 | 10 000 |
| 12 | NAG 4901UU | 28.5 | 12 | 24 | 13 | 0.3 | 17 | 21 | 10 300 | 12 000 | 9 000 |
| 15 | NAG 4902UU | 38 | 15 | 28 | 13 | 0.3 | 21 | 25 | 11 800 | 15 200 | 7 000 |
| 17 | NAG 4903UU | 41 | 17 | 30 | 13 | 0.3 | 22.5 | 26.5 | 12 300 | 16 500 | 6 500 |
| 20 | NAG 4904UU | 76.5 | 20 | 37 | 17 | 0.3 | 24 | 31.5 | 15 600 | 18 900 | 5 500 |
| 25 | NAG 4905UU | 89.5 | 25 | 42 | 17 | 0.3 | 29.5 | 37 | 17 500 | 23 200 | 4 500 |
| 30 | NAG 4906UU | 103 | 30 | 47 | 17 | 0.3 | 34 | 41.5 | 19 400 | 27 600 | 4 000 |
| 35 | NAG 4907UU | 172 | 35 | 55 | 20 | 0.6 | 40 | 49 | 28 700 | 43 800 | 3 500 |
| 40 | NAG 4908UU | 225 | 40 | 62 | 22 | 0.6 | 46 | 56 | 34 600 | 49 500 | 3 000 |
| 45 | NAG 4909UU | 265 | 45 | 68 | 22 | 0.6 | 51 | 61 | 36 400 | 54 700 | 2 500 |
| 50 | NAG 4910UU | 270 | 50 | 72 | 22 | 0.6 | 55.5 | 65.5 | 38 200 | 59 900 | 2 500 |
| 55 | NAG 4911UU | 395 | 55 | 80 | 25 | 1 | 61.5 | 72.5 | 48 100 | 77 700 | 2 000 |
| 60 | NAG 4912UU | 425 | 60 | 85 | 25 | 1 | 67 | 77.5 | 50 300 | 84 300 | 2 000 |
| 65 | NAG 4913UU | 455 | 65 | 90 | 25 | 1 | 72 | 83 | 53 200 | 93 000 | 1 900 |
| 70 | NAG 4914UU | 725 | 70 | 100 | 30 | 1 | 79 | 91.5 | 77 700 | 139 000 | 1 800 |
| 75 | NAG 4915UU | 775 | 75 | 105 | 30 | 1 | 83.5 | 95.5 | 80 000 | 146 000 | 1 700 |
| 80 | NAG 4916UU | 815 | 80 | 110 | 30 | 1 | 89.5 | 102 | 83 000 | 157 000 | 1 600 |