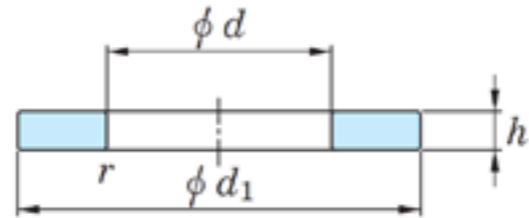
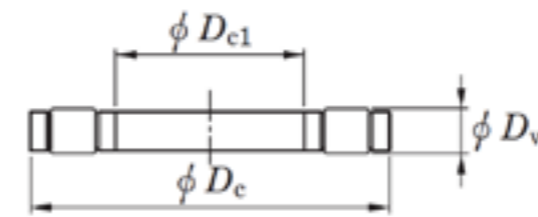


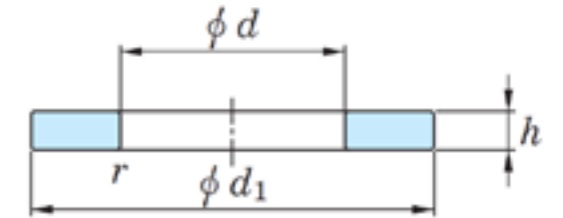
K.811, K.812



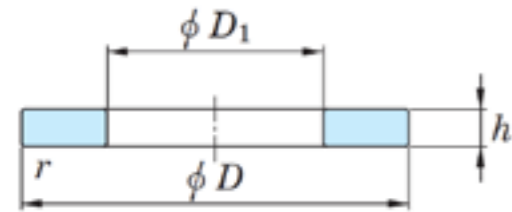
WS.811, WS.812



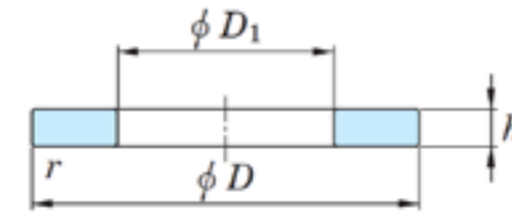
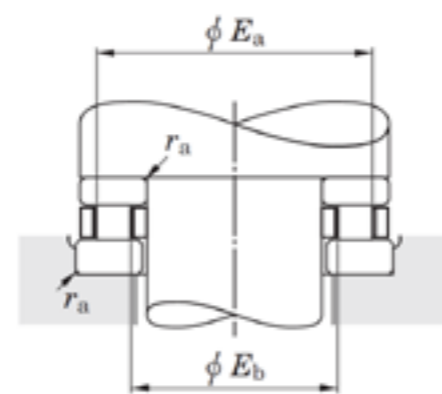
K.811, K.812



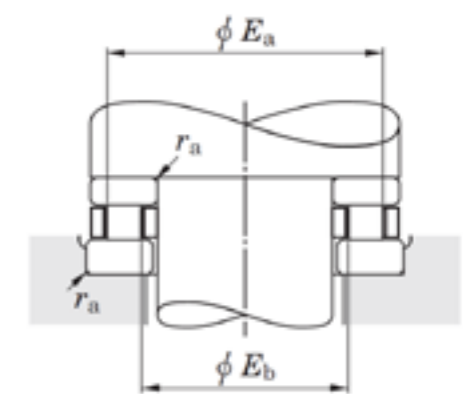
WS.811, WS.812



GS.811, GS.812



GS.811, GS.812



Shaft Dia	Assembly Dimensions (mm)								Load Ratings			Fatigue Load Limit Cu	Speed Rating Oil	Approx Weight (kg)	Washer Dimensions (mm)			h		rs min	Washer Designation		Approx Weight (kg)	Shaft Dia (mm)		
	Dc1	Dc	Dw	T	Eb max	Ea min	ras max	ra max	Assembly Designation	Dynamic	Static				C	Co	d	D1	D,d1		Max	Min			Shaft Piloted	Housing Piloted
										C	Co										Max	Min				
40	40	60	6	-	44	56	0.6	K.81108	44.2	126	12	5 300	0.044	40	42	60	3.5	3.34	0.6	WS.81108	GS.81108	0.043	40			
55	55	78	6	16	60	73	0.6	K.81111	60.3	207	19.8	4 000	0.066	55	57	78	5	4.81	0.6	WS.81111	GS.81111	0.094	55			
70	70	95	7.5	18	75	90	1	K.81114	92.1	328	35.5	3 200	0.056	70	72	95	5.25	5.06	1	WS.81114	GS.81114	0.133	70			