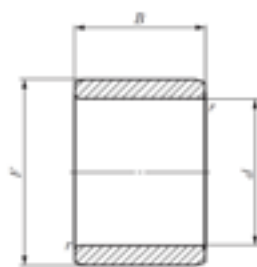


LRT Series



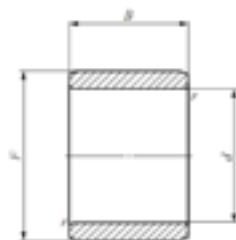
LRT

Shaft dia. mm	Identification number		Mass (Ref.) g	Boundary dimensions mm				Standard mounting dimension mm		Assembled bearings
	LRT	LRTZ		d	F	B	rs min	da		
								Min.	Max.	
5	LRT 5812	-	2.8	5	8	12	0.2	6.6	7.7	TAF 81512
	LRT 5816	-	3.8	5	8	16	0.2	6.6	7.7	TAF 81516
6	LRT 6810	-	1.7	6	8	10	0.15	7.2	7.7	RNA 496
	LRT 6912	-	3.2	6	9	12	0.2	7.6	8.7	TAF 91612
	LRT 6916	-	4.3	6	9	16	0.2	7.6	8.7	TAF 91616
	LRT 61010	-	3.9	6	10	10	0.3	8	9.7	RNAF 101710
7	LRT 71012	-	3.6	7	10	12	0.2	8.6	9.7	TAF 101712
	LRT 71012-1	-	3.6	7	10	12	0.3	9	9.7	RNAF 102012
	LRT 71016	-	4.9	7	10	16	0.2	8.6	9.7	TAF 101716 NAX 1023
8	LRT 81011	-	2.4	8	10	11	0.2	9.6	9.9	RNA 498
9	LRT 91211	-	3.1	9	12	11	0.3	11	11.5	RNA 499
	LRT 91212	-	4.5	9	12	12	0.3	11	11.5	TAF 121912 RNAF 122212
	LRT 91216	-	6	9	12	16	0.3	11	11.5	TAF 121916 NAX 1223
10	LRT 101412	-	7	10	14	12	0.3	12	13	RNAF 142612
	LRT 101413	-	7.5	10	14	13	0.3	12	13	RNA 4900 RNAF 142213
	LRT 101416	-	9	10	14	16	0.3	12	13	TAF 142216
	LRT 101420	-	11.5	10	14	20	0.3	12	13	TAF 142220 RNAFW142220
12	LRT 121516	-	8	12	15	16.5	0.3	14	14.5	NAX 1523 NBX 1523
	LRT 121612	-	8.5	12	16	12	0.3	14	15	RNAF 162812
	LRT 121613	-	8.5	12	16	13	0.3	14	15	RNA 4901 RNAF 162413
	LRT 121616	-	10.5	12	16	16	0.3	14	15	TAF 162416
	LRT 121620	-	13.5	12	16	20	0.3	14	15	TAF 162420 RNAFW162420
	LRT 121622	-	14.5	12	16	22	0.3	14	15	RNA 6901
14	LRT 141717	-	9.5	14	17	17	0.3	16	16.5	NAX 1725 NBX 1725
15	LRT 151916	-	12.5	15	19	16	0.3	17	18	TAF 192716
	LRT 151920	-	16	15	19	20	0.3	17	18	TAF 192720
	LRT 152012	-	12	15	20	12	0.3	17	19	RNAF 203212
	LRT 152013	-	13.5	15	20	13	0.3	17	19	RNA 4902 RNAF 202813
	LRT 152020	-	21.5	15	20	20.5	0.3	17	19	TR 203320
	LRT 152023	-	24	15	20	23	0.3	17	19	RNA 6902
	LRT 152026	-	28	15	20	26	0.3	17	19	RNAFW 202826

LRT Series

Shaft dia. mm	Identification number		Mass (Ref.) g	Boundary dimensions mm				Standard mounting dimension mm		Assembled bearings
	LRT	LRTZ		d	F	B	rs min	da		
								Min.	Max.	
17	LRT 172020	-	13.5	17	20	20.5	0.3	19	19.5	NAX 2030 NBX 2030
	LRT 172116	-	14.5	17	21	16	0.3	19	20	TAF 212916
	LRT 172120	-	18	17	21	20	0.3	19	20	TAF 212920
	LRT 172213	-	15.5	17	22	13	0.3	19	21	RNA 4903 RNAF 223013
	LRT 172216	-	19	17	22	16	0.3	19	21	RNAF 223516
	LRT 172223	-	26.5	17	22	23	0.3	19	21	RNA 6903
	LRT 172225	-	30	17	22	25.5	0.3	19	21	TR 223425
	LRT 172226	-	31	17	22	26	0.3	19	21	RNAFW 223026
	LRT 172232	-	38	17	22	32	0.3	19	21	RNAFW 223532
20	LRT 202416	-	16.5	20	24	16	0.3	22	23	TAF 243216
	LRT 202420	-	20.5	20	24	20	0.3	22	23	TAF 243220
	LRT 202516	-	22	20	25	16	0.3	22	24	RNAF 253716
	LRT 202517	-	23	20	25	17	0.3	22	24	RNA 4904 RNAF 253517
	LRT 202520	-	28	20	25	20.5	0.3	22	24	TR 253820 NAX 2530
	LRT 202525	-	35	20	25	25.5	0.3	22	24	TR 253825
	LRT 202526	-	36	20	25	26	0.3	22	24	RNAFW 253526
	LRT 202530	-	40.5	20	25	30	0.3	22	24	RNA 6904
	LRT 202532	-	44	20	25	32	0.3	22	24	RNAFW 253732
22	LRT 222616	-	17.5	22	26	16	0.3	24	25	TAF 263416
	LRT 222620	-	24	22	26	20	0.3	24	25	TAF 263420
	LRT 222817	-	30.5	22	28	17	0.3	24	27	RNA 49/22
	LRT 222830	-	55	22	28	30	0.3	24	27	RNA 69/22
25	LRT 252920	-	25	25	29	20	0.3	27	28	TAF 293820
	LRT 252930	-	38	25	29	30	0.3	27	28	TAF 293830
	LRT 253016	-	28	25	30	16	0.3	27	29	RNAF 304216
	LRT 253017	-	28.5	25	30	17	0.3	27	29	RNA 4905 RNAF 304017
	LRT 253020	-	34	25	30	20.5	0.3	27	29	NAX 3030 NBX 3030
	LRT 253025	-	42	25	30	25.5	0.3	27	29	TR 304425
	LRT 253026	-	44.5	25	30	26	0.3	27	29	RNAFW 304026
	LRT 253030	-	49	25	30	30	0.3	27	29	RNA 6905
	LRT 253032	-	54	25	30	32	0.3	27	29	RNAFW 304232
28	LRT 283217	-	24.5	28	32	17	0.3	30	31	RNA 49/28
	LRT 283220	-	28.5	28	32	20	0.3	30	31	TAF 324220
	LRT 283230	-	43	28	32	30	0.3	30	31	RNA 69/28 TAF 324230
30	LRT 303516	-	31.5	30	35	16	0.3	32	34	RNAF 354716
	LRT 303517	-	33.5	30	35	17	0.3	32	34	RNA 4906 RNAF 354517
	LRT 303520	-	38.5	30	35	20	0.3	32	34	TAF 354520 NAX 3530
	LRT 303526	-	52	30	35	26	0.3	32	34	RNAFW 354526
	LRT 303530	-	59	30	35	30	0.3	32	34	RNA 6906 TAF 354530
	LRT 303532	-	64	30	35	32	0.3	32	34	RNAFW 354732
32	LRT 323720	-	43.5	32	37	20	0.3	34	36	TAF 374720
	LRT 323730	-	63	32	37	30	0.3	34	36	TAF 374730
	LRT 323830	-	77	32	38	30.5	0.6	36	37	TR 385230
	LRT 324020	-	69	32	40	20	0.6	36	39	RNA 49/32
	LRT 324036	-	123	32	40	36	0.6	36	39	RNA 69/32

LRT Series



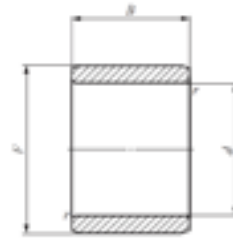
LRT

Shaft dia. mm	Identification number		Mass (Ref.) g	Boundary dimensions mm				Standard mounting dimension mm		Assembled bearings
								da		
	LRT	LRTZ		d	F	B	rs min	Min.	Max.	
35	LRT 354017	-	39	35	40	17	0.3	37	39	RNAF 405017
	LRT 354020	-	46	35	40	20	0.3	37	39	TAF 405020 RNAF 405520
	LRT 354030	-	67	35	40	30	0.3	37	39	TAF 405030
	LRT 354034	-	78	35	40	34	0.3	37	39	RNAFW 405034
	LRT 354040	-	95	35	40	40	0.3	37	39	RNAFW 405540
	LRT 354220	-	65	35	42	20	0.6	39	41	RNA 4907
	LRT 354230	-	97	35	42	30.5	0.6	39	41	TR 425630
38	LRT 354236	-	120	35	42	36	0.6	39	41	RNA 6907
	LRT 384320	-	47.5	38	43	20	0.3	40	42	TAF 435320
40	LRT 384330	-	72	38	43	30	0.3	40	42	TAF 435330
	LRT 404517	-	44.5	40	45	17	0.3	42	44	RNAF 455517
	LRT 404520	-	51	40	45	20	0.3	42	44	TAF 455520 RNAF 456220
	LRT 404530-1	-	77	40	45	30.5	0.6	44	44.5	TR 455930
	LRT 404534	-	88	40	45	34	0.3	42	44	RNAFW 455534
	LRT 404540	-	105	40	45	40	0.3	42	44	RNAFW 456240
42	LRT 404840	-	165	40	48	40	0.6	44	47	RNA 6908
	LRT 424720	-	54	42	47	20	0.3	44	46	TAF 475720
	LRT 424730	-	81	42	47	30	0.3	44	46	TAF 475730
45	LRT 424830	-	100	42	48	30.5	0.6	46	47	TR 486230
	LRT 455020	-	58	45	50	20	0.3	47	49	RNAF 506220
	LRT 455025	-	71	45	50	25	0.3	47	49	TAF 506225
	LRT 455030	-	90	45	50	30.5	0.6	49	49.5	TR 506430
	LRT 455035	-	95	45	50	35	0.3	47	49	TAF 506235
	LRT 455040	-	115	45	50	40	0.3	47	49	RNAFW 506240
	LRT 455222	-	88	45	52	22	0.6	49	51	RNA 4909
	LRT 455240	-	165	45	52	40	0.6	49	51	RNA 6909
50	LRT 455520	-	120	45	55	20	1	50	54	RNAF 557220
	LRT 455540	-	245	45	55	40	1	50	54	RNAFW 557240
	LRT 505520	-	63	50	55	20	0.3	52	54	RNAF 556820
	LRT 505525	-	77	50	55	25	0.3	52	54	TAF 556825
	LRT 505535	-	110	50	55	35	0.3	52	54	TAF 556835
	LRT 505540	-	130	50	55	40	0.3	52	54	RNAFW 556840
	LRT 505822	-	116	50	58	22	0.6	54	57	RNA 4910
	LRT 505840	-	210	50	58	40	0.6	54	57	RNA 6910
	LRT 505845	-	235	50	58	45.5	1	55	57	TR 587745
	LRT 506020	-	135	50	60	20	1	55	59	RNAF 607820
50	LRT 506025	-	165	50	60	25.5	1	55	59	NAX 6040 NBX 6040
	LRT 506040	-	265	50	60	40	1	55	59	RNAFW 607840

LRT Series

Shaft dia. mm	Identification number		Mass (Ref.) g	Boundary dimensions mm				Standard mounting dimension mm		Assembled bearings
	LRT	LRTZ		d	F	B	rs min	da		
								Min.	Max.	
55	LRT 556025	-	88	55	60	25	0.3	57	59	TAF 607225
	LRT 556035	-	120	55	60	35	0.3	57	59	TAF 607235
	LRT 556238	-	190	55	62	38.5	1	60	60.5	TR 628138
	LRT 556325	-	145	55	63	25	1	60	61	RNA 4911
	LRT 556345	-	255	55	63	45	1	60	61	RNA 6911
	LRT 556530	-	220	55	65	30	1.5	63	63.5	RNAF 658530
	LRT 556560	-	435	55	65	60	1.5	63	63.5	RNAFW 658560
60	LRT 606825	-	150	60	68	25	0.6	64	66	TAF 688225
	LRT 606825-1	-	150	60	68	25	1	65	66	RNA 4912
	LRT 606835	-	210	60	68	35	0.6	64	66	TAF 688235
	LRT 606845	-	275	60	68	45	1	65	66	RNA 6912
	LRT 607025	-	195	60	70	25.5	1	65	68	NAX 7040
	LRT 607030	-	240	60	70	30	1.5	68	68.5	RNAF 709030
	LRT 607045	-	355	60	70	45.5	1	65	68	TR 708945
65	LRT 607060	-	480	60	70	60	1.5	68	68.5	RNAFW 709060
	LRT 657225	-	145	65	72	25	1	70	70.5	RNA 4913
	LRT 657245	-	255	65	72	45	1	70	70.5	RNA 6913
	LRT 657335	-	235	65	73	35	1	70	71	TAF 739035
	LRT 657530	-	260	65	75	30	1.5	73	73.5	RNAF 759530
	LRT 657560	-	520	65	75	60	1.5	73	73.5	RNAFW 759560
	LRT 708025	-	225	70	80	25	1	75	78	TAF 809525
70	LRT 708030	-	275	70	80	30	1	75	78	RNA 4914
	LRT 708035	-	310	70	80	35	1	75	78	TAF 809535
	LRT 708054	-	490	70	80	54	1	75	78	RNA 6914
	LRT 758345	-	350	75	83	45.5	1	80	81	TR 8310845
75	LRT 758525	-	240	75	85	25	1	80	83	TAF 8510525
	LRT 758530	-	290	75	85	30	1	80	83	RNA 4915
	LRT 758535	-	335	75	85	35	1	80	83	TAF 8510535
	LRT 758554	-	520	75	85	54	1	80	83	RNA 6915
	LRT 809025	-	255	80	90	25	1	85	88	TAF 9011025
80	LRT 809035	-	355	80	90	35	1	85	88	TAF 9011035
	LRT 809054	-	550	80	90	54	1	85	88	RNA 6916
	LRT 859526	-	280	85	95	26	1	90	93	TAF 9511526
85	LRT 859530	-	330	85	95	30	1.5	93	93.5	RNAF 9511530
	LRT 859536	-	390	85	95	36	1	90	93	TAF 9511536
	LRT 859545	-	490	85	95	45.5	1.5	93	93.5	TR 9512045
	LRT 8510035	-	575	85	100	35	1.1	91.5	98	RNA 4917
	LRT 9010026	-	295	90	100	26	1	95	98	TAF 10012026
90	LRT 9010030	-	355	90	100	30	1.5	98	98.5	RNAF 10012030
	LRT 9010036	-	415	90	100	36	1	95	98	TAF 10012036
	LRT 9010050	-	580	90	100	50.5	1.5	98	98.5	TR 10012550
	LRT 9010535	-	610	90	105	35	1.1	96.5	103	RNA 4918
	LRT 9010563	-	1 100	90	105	63	1.1	96.5	103	RNA 6918

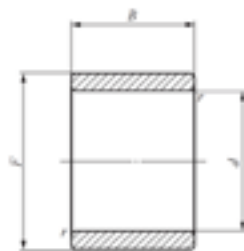
LRT Series



LRT

Shaft dia. mm	Identification number		Mass (Ref.) g	Boundary dimensions mm				Standard mounting dimension mm		Assembled bearings
								da		
	LRT	LRTZ		d	F	B	rs min	Min.	Max.	
95	LRT 9510526	-	315	95	105	26	1	100	103	TAF 10512526
	LRT 9510536	-	430	95	105	36	1	100	103	TAF 10512536
	LRT 9511035	-	650	95	110	35	1.1	101.5	108	RNA 4919
	LRT 9511063	-	1 160	95	110	63	1.1	101.5	108	RNA 6919
100	LRT 10011030	-	380	100	110	30	1	105	108	TAF 11013030
	LRT 10011040	-	500	100	110	40	1	105	108	TAF 11013040
	LRT 10011050	-	640	100	110	50.5	1.5	108	108.5	TR 11013550
	LRT 10011540	-	770	100	115	40	1.1	106.5	113	RNA 4920
105	LRT 10511550	-	670	105	115	50.5	1.5	113	113.5	TR 11515350
110	LRT 11012030	-	410	110	120	30	1	115	118	RNA 4822
	LRT 11012540	-	840	110	125	40	1.1	116.5	123	RNA 4922
120	LRT 12013030	-	450	120	130	30	1	125	128	RNA 4824
	LRT 12013545	-	1 030	120	135	45	1.1	126.5	133	RNA 4924
130	LRT 13014535	-	860	130	145	35	1.1	136.5	143	RNA 4826
	LRT 13015050	-	1 670	130	150	50	1.5	138	148	RNA 4926
135	LRT 13515060	-	1 560	135	150	60.5	1.5	143	148	TR 15018860
140	LRT 14015535	-	930	140	155	35	1.1	146.5	153	RNA 4828
	LRT 14016050	-	1 790	140	160	50	1.5	148	158	RNA 4928
150	LRT 15016540	-	1 130	150	165	40	1.1	156.5	163	RNA 4830
	LRT 15017060	-	2 290	150	170	60	2	159	168	RNA 4930
160	LRT 16017540	-	1 200	160	175	40	1.1	166.5	173	RNA 4832
10	-	LRTZ 101414	8.2	10	14	14	0.3	12	13	RNA 4900 UU
12	-	LRTZ 121614	9.6	12	16	14	0.3	14	15	RNA 4901 UU
	-	LRTZ 121623	15.5	12	16	23	0.3	14	15	RNA 6901 UU
15	-	LRTZ 152014	14.5	15	20	14	0.3	17	19	RNA 4902 UU
	-	LRTZ 152024	25	15	20	24	0.3	17	19	RNA 6902 UU
17	-	LRTZ 172214	15.5	17	22	14	0.3	19	21	RNA 4903 RNAF 223013
	-	LRTZ 172224	26.5	17	22	24	0.3	19	21	RNA 6903
20	-	LRTZ 202518	24	20	25	18	0.3	22	24	RNA 4904 UU
	-	LRTZ 202531	41.5	20	25	31	0.3	22	24	RNA 6904 UU
25	-	LRTZ 253018	29.5	25	30	18	0.3	27	29	RNA 4905 UU
	-	LRTZ 253031	51	25	30	31	0.3	27	29	RNA 6905 UU
28	-	LRTZ 283231	44	28	32	31	0.3	30	31	RNA 69/28 UU
30	-	LRTZ 303518	35	30	35	18	0.3	32	34	RNA 4906 UU
	-	LRTZ 303531	61	30	35	31	0.3	32	34	RNA 6906 UU
32	-	LRTZ 324021	72.5	32	40	21	0.6	36	39	RNA 49/32 UU
	-	LRTZ 324037	130	32	40	37	0.6	36	39	RNA 69/32 UU

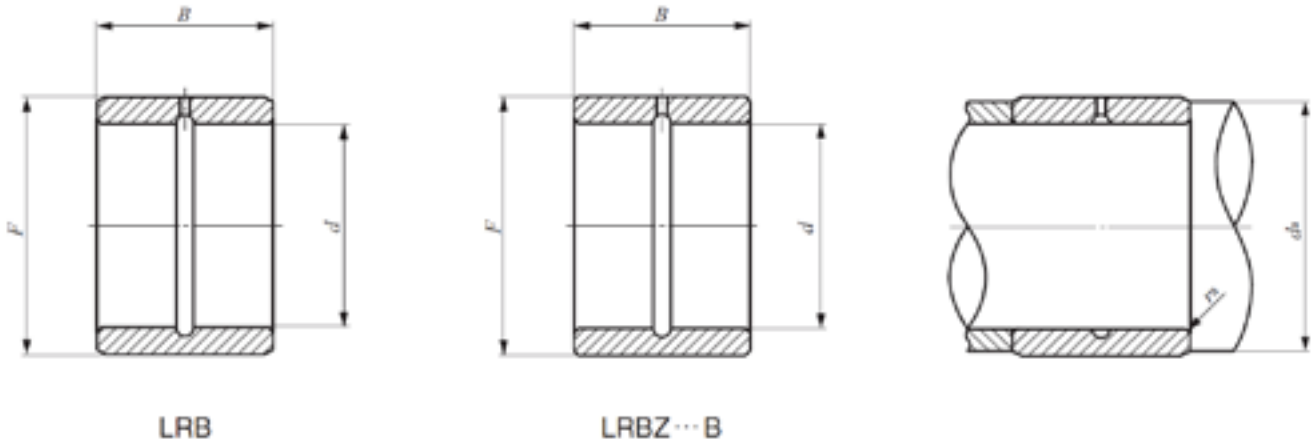
LRTZ Series



LRTZ

Shaft dia. mm	Identification number		Mass (Ref.) g	Boundary dimensions mm				Standard mounting dimension mm		Assembled bearings
	LRT	LRTZ		d	F	B	rs min	da		
								Min.	Max.	
35	-	LRTZ 354221	67	35	42	21	0.6	39	41	RNA 4907 UU
	-	LRTZ 354237	120	35	42	37	0.6	39	41	RNA 6907 UU
40	-	LRTZ 404823	95	40	48	23	0.6	44	47	RNA 4908 UU
	-	LRTZ 404841	170	40	48	41	0.6	44	47	RNA 6908 UU
45	-	LRTZ 455223	93	45	52	23	0.6	49	51	RNA 4909 UU
50	-	LRTZ 505823	118	50	58	23	0.6	54	57	RNA 4910 UU
	-	LRTZ 505841	215	50	58	41	0.6	54	57	RNA 6910 UU
55	-	LRTZ 556346	260	55	63	46	1	60	61	RNA 6911 UU
60	-	LRTZ 606826	160	60	68	26	1	65	66	RNA 4912 UU

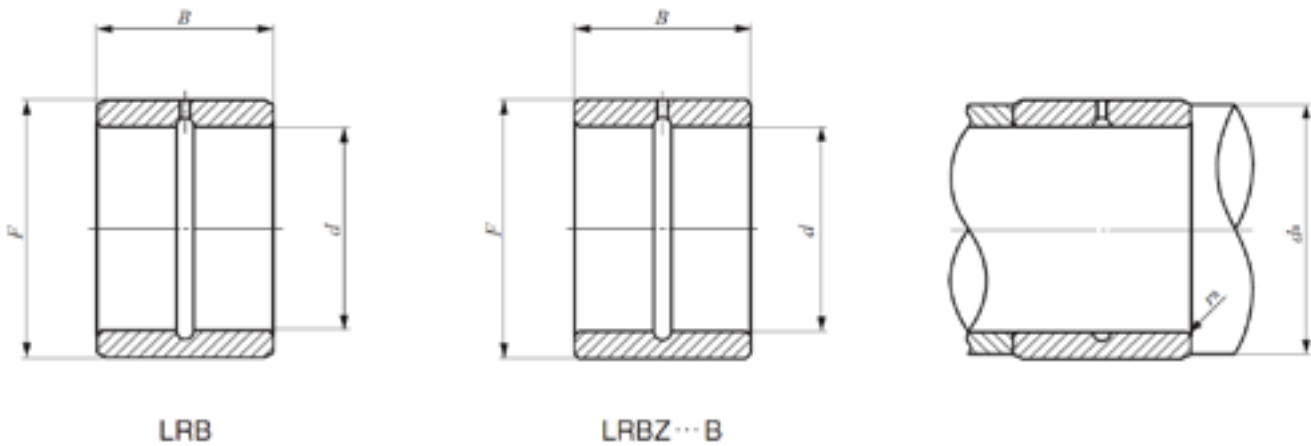
LRB Series



Shaft dia. (inch)	Identification number	Mass (Ref.) g	Boundary dimensions mm (inch)			Standard mounting dimensions mm			Assembled bearings*
			d	F	B	da Min	da Max	ras max	
3/8	LRB 61012	18.5	9.525 (3/8)	15.875 (5/8)	19.05 (3/4)	14	14.5	0.6	GBR 101812
1/2	LRB 81212	23.5	12.7 (1/2)	19.05 (3/4)	19.05 (3/4)	17.5	18	0.6	GBR 122012
	LRB 81216	31	12.7 (1/2)	19.05 (3/4)	25.8 (1 1/64)	17.5	18	0.6	GBR 122016UU
5/8	LRB 101412	28	15.875 (5/8)	22.225 (7/8)	19.05 (3/4)	21	21.2	1	BR 142212
	LRB 101416	37.5	15.875 (5/8)	22.225 (7/8)	25.8 (1 1/64)	21	21.2	1	BR 142216
3/4	LRB 121612	33	19.05 (3/4)	25.4 (1)	19.05 (3/4)	24	24.4	1	BR 162412
	LRB 121616	44	19.05 (3/4)	25.4 (1)	25.8 (1 1/64)	24	24.4	1	BR 162416
7/8	LRB 141816	50	22.225 (7/8)	28.575 (1 1/8)	25.8 (1 1/64)	27	27.5	1	BR 182616
	LRB 141820	62	22.225 (7/8)	28.575 (1 1/8)	31.75 (1 1/4)	27	27.5	1	BR 182620
1	LRB 162016	56	25.4 (1)	31.75 (1 1/4)	25.8 (1 1/64)	30.5	30.7	1	BR 202816
	LRB 162020	72	25.4 (1)	31.75 (1 1/4)	31.75 (1 1/4)	30.5	30.7	1	BR 202820
1 1/8	LRB 182216	63	28.575 (1 1/8)	34.925 (1 3/8)	25.8 (1 1/64)	33.5	33.9	1	BR 223016
	LRB 182220	77	28.575 (1 1/8)	34.925 (1 3/8)	31.75 (1 1/4)	33.5	33.9	1	BR 223020
1 1/4	LRB 202416	71	31.75 (1 1/4)	38.1 (1 1/2)	25.8 (1 1/64)	37	37.1	1.5	BR 243316
	LRB 202420	86	31.75 (1 1/4)	38.1 (1 1/2)	31.75 (1 1/4)	37	37.1	1.5	BR 243320
1 3/8	LRB 222616	77	34.925 (1 3/8)	41.275 (1 5/8)	25.8 (1 1/64)	40.2	40.2	1.5	BR 263516
	LRB 222620	96	34.925 (1 3/8)	41.275 (1 5/8)	31.75 (1 1/4)	40.2	40.2	1.5	BR 263520
1 1/2	LRB 242816	80	38.1 (1 1/2)	44.45 (1 3/4)	25.8 (1 1/64)	43.3	43.4	1.5	BR 283716
	LRB 242820	100	38.1 (1 1/2)	44.45 (1 3/4)	31.75 (1 1/4)	43.3	43.4	1.5	BR 283720 BR 283820
	LRB 243020	155	38.1 (1 1/2)	44.45 (1 3/4)	31.75 (1 1/4)	43.3	45	1.5	BR 303920
1 5/8	LRB 263216	135	41.275 (1 5/8)	50.8 (2)	25.8 (1 1/64)	48	49	1.5	BR 324116
	LRB 263220	170	41.275 (1 5/8)	50.8 (2)	31.75 (1 1/4)	48	49	1.5	BR 324120
1 3/4	LRB 283624	300	44.45 (1 3/4)	51.75 (2 1/4)	38.1 (1 1/2)	52.5	55	1.5	BR 364824
	LRB 283628	345	44.45 (1 3/4)	51.75 (2 1/4)	44.45 (1 3/4)	52.5	55	1.5	BR 364828
2	LRB 324024	335	50.8 (2)	63.5 (2 1/2)	38.1 (1 1/2)	58	61	2	BR 405224
	LRB 324028	390	50.8 (2)	63.5 (2 1/2)	44.45 (1 3/4)	58	61	2	BR 405228

* Not a stocked range although available on request.

LRB Series



LRB

LRBZ...B

Shaft dia. (inch)	Identification number	Mass (Ref.) g	Boundary dimensions mm (inch)			Standard mounting dimensions mm			Assembled bearings*
			d	F	B	da Min	da Max	ras max	
2 1/4	LRB 364424	375	51.75 (2 1/4)	69.85 (2 3/4)	38.1 (1 1/2)	65	67	2	BR 445624
	LRB 364428	440	51.75 (2 1/4)	69.85 (2 3/4)	44.45 (1 3/4)	65	67	2	BR 445628
2 1/2	LRB 404824	410	63.5 (2 1/2)	76.2 (3)	38.1 (1 1/2)	71	73	2	BR 486024
	LRB 404828	480	63.5 (2 1/2)	76.2 (3)	44.45 (1 3/4)	71	73	2	BR 486028
2 3/4	LRB 445228	530	69.85 (2 3/4)	82.55 (3 1/4)	44.45 (1 3/4)	77	79	2	BR 526828
	LRB 445232	600	69.85 (2 3/4)	82.55 (3 1/4)	51.20 (2 1/64)	77	79	2	BR 526832
3	LRB 485632	640	76.2 (3)	88.9 (3 1/2)	51.20 (2 1/64)	83.5	86	2	BR 567232
3 1/4	LRB 526032	690	82.55 (3 1/4)	95.25 (3 3/4)	51.20 (2 1/64)	91	93	2.5	BR 607632
3 1/2	LRB 566432	750	88.9 (3 1/2)	101.6 (4)	51.20 (2 1/64)	97	99	2.5	BR 648032

* Not a stocked range although available on request.