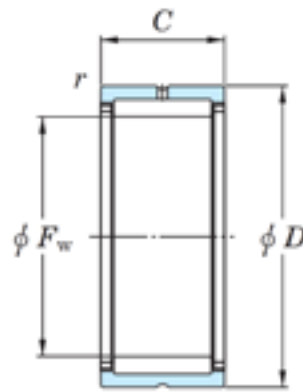


# Machined Type Heavy Duty without Inner Ring NKS (Metric without Inner Ring) Series



Finer Power Transmissions P/L | www.finerpt.com



Shaft dia.	Boundary dimensions(mm)				Bearing No.	Basic load ratings(kN)		Fatigue load limit(kN)	Limiting speeds(min-1)		Mass (kg)
	Fw	D	C	r min		Cr	COr		Cu	Grease lub	
25	25	38	20	0.6	NKS25	29.1	33	5.3	12 000	19 000	0.076
28	28	42	20	0.6	NKS28	30.3	38.4	6.15	11 000	16 000	0.094
30	30	45	20	0.6	NKS30	34.3	42.8	6.85	9 900	15 000	0.114
32	32	47	22	0.6	NKS32	36	46.2	7.4	9 200	14 000	0.12
35	35	50	22	0.6	NKS35	37.5	49.9	8	8 400	13 000	0.13
37	37	52	22	0.6	NKS37	39	53.4	8.55	7 900	12 000	0.134
40	40	55	22	0.6	NKS40	40.3	57	9.15	7 200	11 000	0.14
45	45	60	22	0.6	NKS45	43	64.2	10.3	6 400	9 800	0.156
50	50	65	22	1	NKS50	45.5	71.3	11.4	5 700	8 700	0.17
55	55	72	22	1	NKS55	47.9	78.4	12.6	5 100	7 900	0.225
60	60	80	28	1.1	NKS60	66.9	103	16.5	4 800	7 300	0.337
75	75	95	28	1.1	NKS75	76.5	132	21.1	3 700	5 800	0.413