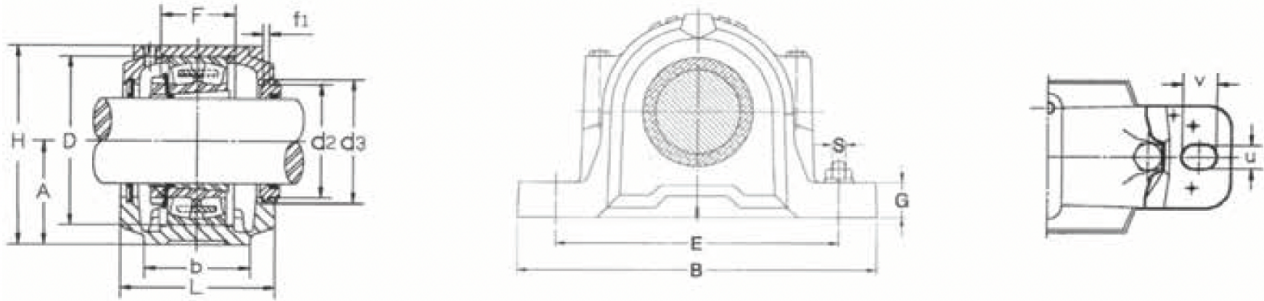


## SNK500 Series



Part No.	To Suit Dimensions		Dimensions (mm)														
	mm	in	L	b	f1 (H13)	F (H13)	D (H7)	d2 (H12)	d3 (H13)	H	A (h12)	G	E	B	v	u	S
SNK 508	35	1 1/4	85	60	5	39	80	51.5	59.5	106	60	25	170	205	20	15	12
SNK 509	40	1 1/2	85	60	5	30	85	56.5	64.5	108	60	25	170	205	20	15	12
SNK 510	45	1 3/4	90	60	5	41	90	62	70.5	112	60	25	170	205	20	15	12
SNK 511	50	2	95	70	5	44	100	67	75.5	126	70	28	210	255	23	18	16
SNK 512	55	2 1/8	105	70	5	48	110	72	80.5	132	70	30	210	255	23	18	16
SNK 513	60	2 1/4	110	80	5	51	120	77	85.5	147	80	30	230	275	24	18	16
SNK 515	65	2 1/2	115	80	5	56	130	87	95.5	153	80	30	230	280	26	18	16
SNK 516	70	2 3/4	120	90	5	58	140	92.5	101	174	95	32	260	315	29	22	20
SNK 517	75	3	125	90	5	61	150	97.5	106	180	95	32	260	320	30	22	20
SNK 518	80	3 1/4	140	100	5	65	160	102.5	111	190	100	35	290	345	27	22	20
SNK 519	85	3 1/4	145	100	6	68	170	131	141	208.5	112	35	290	345	27	22	20
SNK 520	90	3 1/2	160	110	6	70	180	137.5	147.5	214.5	112	40	320	380	32	26	24
SNK 522	100	4	175	120	6	80	200	147.5	157.5	238.5	125	45	350	410	32	26	24
SNK 524	110	4 1/4	185	120	6	86	215	157.5	167.5	271	140	45	350	410	32	26	24
SNK 526	115	4 1/2	190	130	6	90	230	167.5	177.5	290	150	50	380	445	35	28	24
SNK 528	125	5	205	150	6	98	250	177.5	187.5	302	150	50	420	500	42	35	30
SNK 530	135	5 1/4	220	160	6	106	270	192.5	202.5	323	160	60	450	530	42	35	30

Note. Included TSNG Seals and Spacer Rings

## Bearing & Housings Chart

Shaft Dia. mm	Housings No.	Bearing No.		Adapter Sleeves	U Seals	End Cover	Locating Ring	
		Self-Aligning Ball Bearing	Spherical Roller Bearing				Part No.	Qty.
35	SNK 508-607	1208K	~	H208	U508	508A	SR80X10.5	2
	SNK 508-607	2208K	22208K	H308	U508	508A	SR80X8	2
40	SNK 509	1209K	~	H209	U509	509A	SR85X5.5	2
	SNK 509	2209K	22209K	H309	U509	509A	SR85X7	1
45	SNK 510-608	1210K	~	H210	U510	510A	SR90X10.5	2
	SNK 510-608	2210K	22210K	H310	U510	510A	SR90X9	2
50	SNK 511-609	1211K	~	H211	U511	511A	SR100X11.5	2
	SNK 511-609	2211K	22211K	H311	U511	511A	SR100X9.5	2
55	SNK 512-610	1212K	~	H212	U512	512A	SR110X13	2
	SNK 512-610	2212K	22212K	H312	U512	512A	SR110X10	2
60	SNK 513-611	1213K	~	H213	U513	513A	SR120X14	2
	SNK 513-611	2213K	22213K	H313	U513	513A	SR120X10	2
65	SNK 515-612	1215K	~	H215	U515	515A	SR130X15.5	2
	SNK 515-612	2215K	22215K	H315	U515	515A	SR130X12.5	2
70	SNK 516-613	1216K	~	H216	U516	516A	SR140X16	2
	SNK 516-613	2216K	22216K	H316	U516	516A	SR140X12.5	2
75	SNK 517	1217K	~	H217	U517	517A	SR150X16.5	2
	SNK 517	2217K	22217K	H317	U517	517A	SR150X12.5	2
80	SNK 518-615	1218K	~	H218	U518	518A	SR160X17.5	2
	SNK 518-615	2218K	22218K	H318	U518	518A	SR160X12.5	2
85	SNK 519-616	1219K	~	H219	U519	519A	SR170X18	2
	SNK 519-616	2219K	22219K	H319	U519	519A	SR170X12.5	2
90	SNK 520-617	1220K	~	H220	U520	520A	SR180X18	2
	SNK 520-617	2220K	22220K	H320	U520	520A	SR180X12	2
100	SNK 522-619	1222K	~	H222	U522	522A	SR200X21	2
	SNK 522-619	2222K	22222K	H322	U522	522A	SR200X13.5	2
110	SNK 524-620	~	22224K	H3124	U524	524A	SR215X14	2
	SNK 524-620	~	23224K	H2324	U524	524A	SR215X10	1
115	SNK 526	~	22226K	H3126	U526	526A	SR230X13	2
	SNK 526	~	23226K	H2326	U526	526A	SR230X10	1
125	SNK 528	~	22228K	H3128	U528	528A	SR250X15	2
	SNK 528	~	23228K	H2328	U528	528A	SR250X10	1
135	SNK 530	~	22230K	H3130	U530	530A	SR270X16.5	2
	SNK 530	~	23230K	H2330	U530	530A	SR270X10	1

## TSNG Seals for SNK Plummer Block Housings

TSNG507	TSNG508	TSNG509	TSNG510	TSNG511	TSNG512	TSNG513	TSNG515	TSNG516	TSNG517	TSNG518
TSNG519	TSNG520	TSNG522	TSNG524	TSNG526	TSNG528	TSNG530				