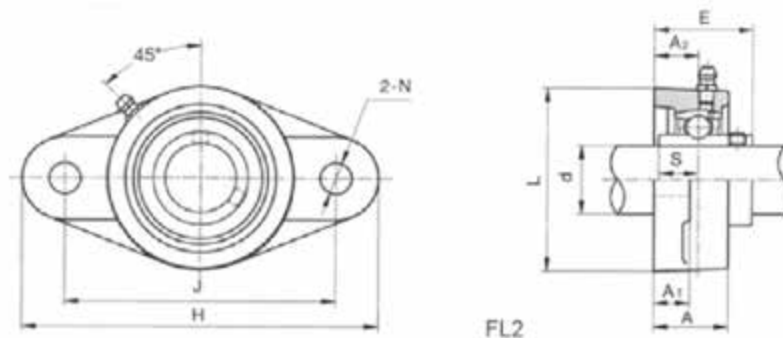


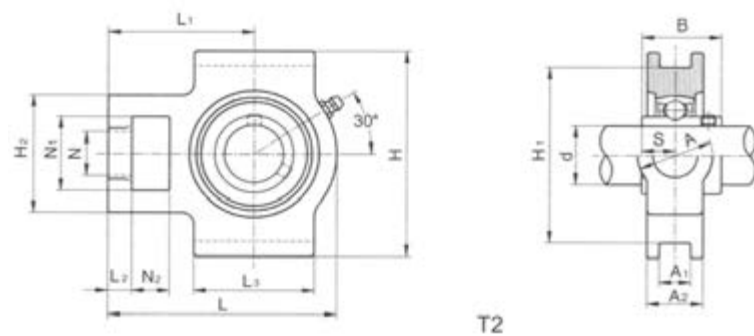
Stainless Steel AISI 304C

FL200 Stainless Steel Series



Part No.	Dimensions (mm)										N.W. (kg)
	d	H	J	L	A2	A1	A	N	E	S	
SSFL204	20	113	90	60	15	11	25.5	12	33.3	12.7	0.57
SSFL205	25	130	99	68	16	13	27	16	35.8	14.3	0.4
SSFL206	30	148	117	80	18	13	31	16	40.2	15.9	0.7
SSFL207	35	161	130	90	19	15	34	16	44.4	17.5	1.05
SSFL208	40	175	144	100	21	15	36	16	51.2	19	1.24
SSFL209	45	188	148	108	22	16	38	19	52.2	19	1.6
SSFL210	50	197	157	115	22	16	40	19	54.6	19	1.91
SSFL211	55	224	184	130	25	18	43	19	58.4	22.2	-
SSFL212	60	250	202	140	29	18	48	23	68.7	25.4	-

T200 Stainless Steel Series



Part No.	Dimensions (mm)															N.W. (kg)	
	d	L	L1	L2	L3	N	N1	N2	H	H1	H2	A	A1	A2	S		B
SST204	20	94	61	10	51	19	32	16	89	76	51	32	12	21	12.7	31	0.42
SST205	25	97	62	10	51	22	32	16	89	76	51	32	12	24	14.3	34.1	0.46
SST206	30	113	70	10	57	22	37	16	102	89	56	37	12	28	15.9	38.1	0.67
SST207	35	129	78	13	64	22	37	16	102	89	64	37	12	30	17.5	42.9	0.81
SST208	40	144	88	16	83	29	49	19	114	102	83	49	16	33	19	49.2	1.16
SST209	45	144	87	16	83	29	49	19	117	102	83	49	16	35	19	49.2	1.19
SST210	50	149	90	16	86	29	49	19	117	102	83	49	16	37	19	51.6	1.18