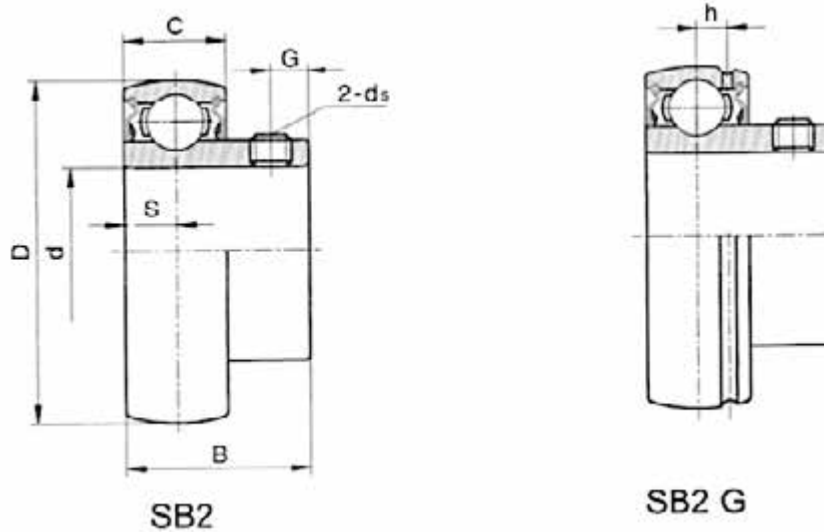


Stainless Steel AISI 440C

SB200 Stainless Steel Series



Part No.	Dimensions(mm/inch)								Basic Loads (KN)		N.W. (kg)
	d (mm)	d (inch)	D	B	C	S	h	G	Cr	Cor	
SSSB203	17	-	40	22	12	6	3.4	4	9.5	4.7	0.08
SSSB204	20	-	47	25	14	7	4	5	11	5.7	0.13
SSSB204-12	-	0.75	47	25	14	7	4	5	11	5.7	0.13
SSSB205	25	-	52	27	15	7.5	4.2	5.5	12	6.7	0.17
SSSB205-16	-	1	52	27	15	7.5	4.2	5.5	12	6.7	0.17
SSSB206	30	-	62	30	16	8	4.8	6	16.7	9.6	0.26
SSSB206-20	-	1.25	62	30	16	8	4.8	6	16.7	9.6	0.26+