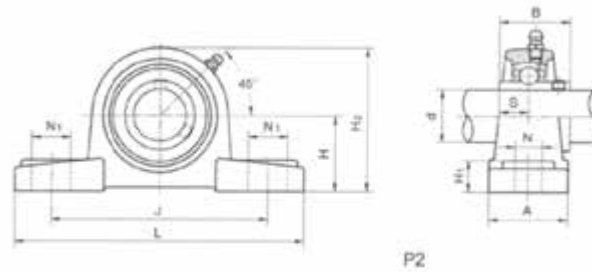


PL-P200 Series

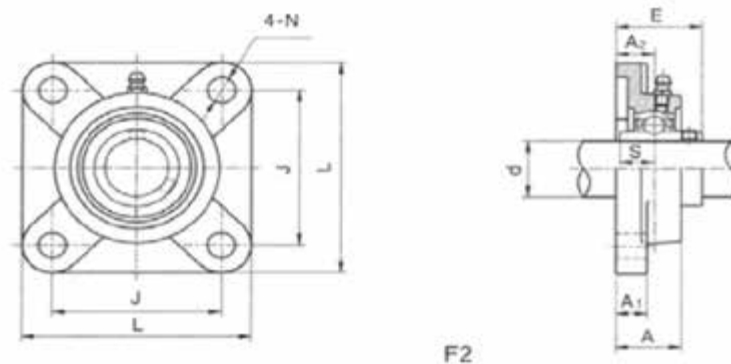


P2

Part No.	Dimensions (mm)											N.W. (kg)
	d	H	L	J	A	N1 to N	N1	H1	H2	S	B	
PL-P204	20	33.3	127	95	38	13	19	14	65	12.7	31	0.4
PL-P205	25	36.5	140	105	38	13	19	15	71	14.3	34.1	0.49
PL-P206	30	42.9	165	121	48	17	21	17	83	15.9	38.1	0.7
PL-P207	35	47.6	167	127	48	17	21	18	93	17.5	42.9	0.88
PL-P208	40	49.2	184	137	54	17	21	18	98	19	49.2	1.05
PL-P209	45	54	190	146	54	17	21	20	106	19	49.2	1.24
PL-P210	50	57.2	206	159	60	20	22	21	114	19	51.6	1.6
PL-P211	55	63.5	217	171	60	20	22	-	125	22.2	55.6	-
PL-P212	60	69.9	238	184	70	20	25	-	138	25.4	65.1	-

Please note: End Caps come with the PL Housing.

PL-F200 Series



F2

Part No.	Dimensions (mm)									N.W. (kg)
	d	L	J	A2	A1	A	N	E	S	
PL-F204	20	86	64	15	11	25.5	12	33.3	12.7	0.32
PL-F205	25	95	70	16	13	27	12	35.8	14.3	0.43
PL-F206	30	108	83	18	13	31	12	40.2	15.9	0.57
PL-F207	35	117	92	19	15	34	14	44.4	17.5	0.67
PL-F208	40	130	102	21	15	36	16	51.2	19	0.86
PL-F209	45	137	105	22	16	38	16	52.2	19	1.03
PL-F210	50	143	111	22	16	40	16	54.6	19	1.15
PL-F211	55	162	130	25	20	43	19	58.4	22.2	-
PL-F212	60	175	143	29	20	48	19	68.7	25.4	-