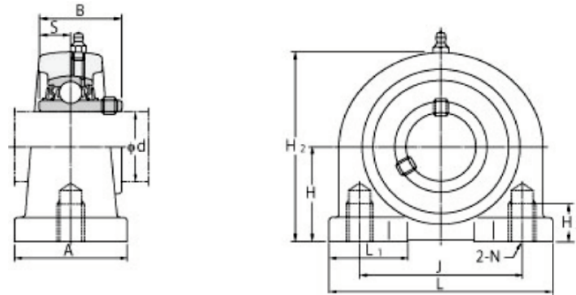
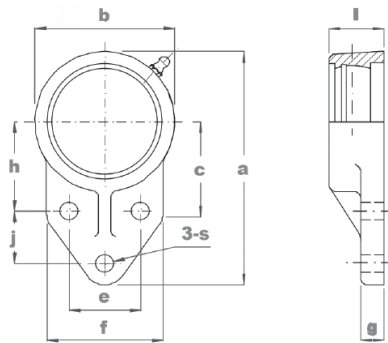


PL-PA200 Series



Part No.	Dimensions (mm)										N.W. (kg)
	d	H	L	J	A	H2	S	B	H3	N	
PL-PA204	20	30.2	76	52	40	62	12.7	31	13	M10	0.43
PL-PA205	25	36.5	84	56	38	72	14.3	34.1	15	M10	0.62
PL-PA206	30	42.9	94	66	48	84	15.9	38.1	18	M14	0.89
PL-PA207	35	47.6	110	80	48	95	17.5	42.9	20	M14	1.24
PL-PA208	40	49.2	116	84	54	100	19	49.2	20	M14	1.27
PL-PA209	45	54.2	120	90	60	108	19	49.2	25	M14	1.52
PL-PA210	50	57.2	130	94	60	116	19	51.6	25	M16	1.82

PL-FB200 Series



Part No.	Dimensions (mm)											N.W. (kg)
	a	h	e	j	g	l	c	s	b	f	Bolt	
PL-FB204	108.5	42.9	38.1	22.2	12	26.5	42.9	11	62	62	M10	0.1
PL-FB205	120.6	46	41.3	28.6	12	33.5	46	11	69	63.5	M10	0.12
PL-FB206	140	52.4	47.6	31.8	14	31.5	52.4	11	82	75	M10	0.16
PL-FB207	158	60.3	50.8	31.8	17	36.5	60.3	13	94	89	M12	0.18
PL-FB208	164	60.3	50	41.3	18	35.7	60.3	13	100	78	M12	0.23