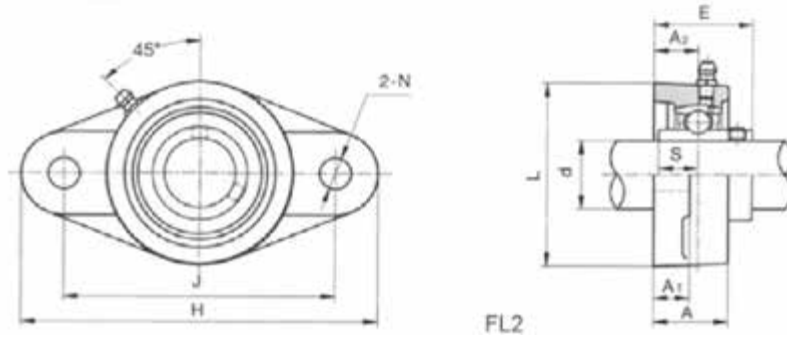
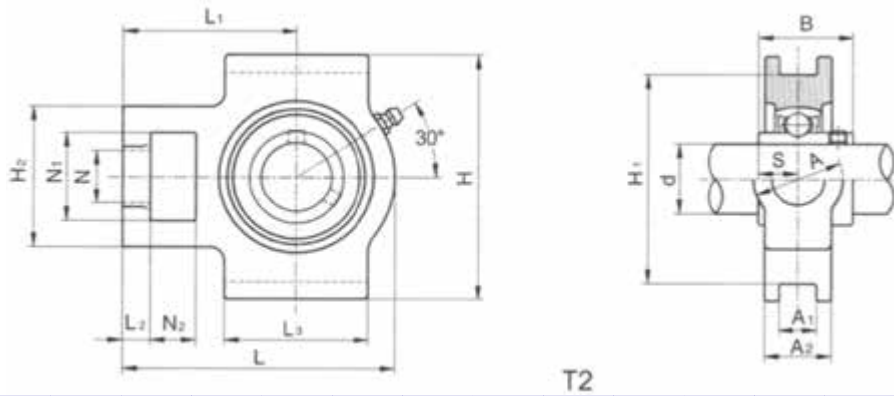


## PL-FL200 Series



Part No.	Dimensions (mm)										N.W. (kg)
	d	H	J	L	A2	A1	A	N	E	S	
PL-FL204	20	113	90	60	15	11	25.5	12	33.3	12.7	0.57
PL-FL205	25	130	99	68	16	13	27	16	35.8	14.3	0.4
PL-FL206	30	148	117	80	18	13	31	16	40.2	15.9	0.7
PL-FL207	35	161	130	90	19	15	34	16	44.4	17.5	1.05
PL-FL208	40	175	144	100	21	15	36	16	51.2	19	1.24
PL-FL209	45	188	148	108	22	16	38	19	52.2	19	1.6
PL-FL210	50	197	157	115	22	16	40	19	54.6	19	1.91
PL-FL211	55	224	184	130	25	18	43	19	58.4	22.2	-
PL-FL212	60	250	202	140	29	18	48	23	68.7	25.4	-

## PL-T200 Series



Part No.	Dimensions (mm)															N.W. (kg)	
	d	L	L1	L2	L3	N	N1	N2	H	H1	H2	A	A1	A2	S		B
PL-T204	20	94	61	10	51	19	32	16	89	76	51	32	12	21	12.7	31	0.42
PL-T205	25	97	62	10	51	19	32	16	89	76	51	32	12	24	14.3	34.1	0.46
PL-T206	30	113	70	10	57	22	37	16	102	89	56	37	12	28	15.9	38.1	0.67
PL-T207	35	129	78	13	64	22	37	16	102	89	64	37	12	30	17.5	42.9	0.81
PL-T208	40	144	88	16	83	29	49	19	114	102	83	49	16	33	19	49.2	1.16