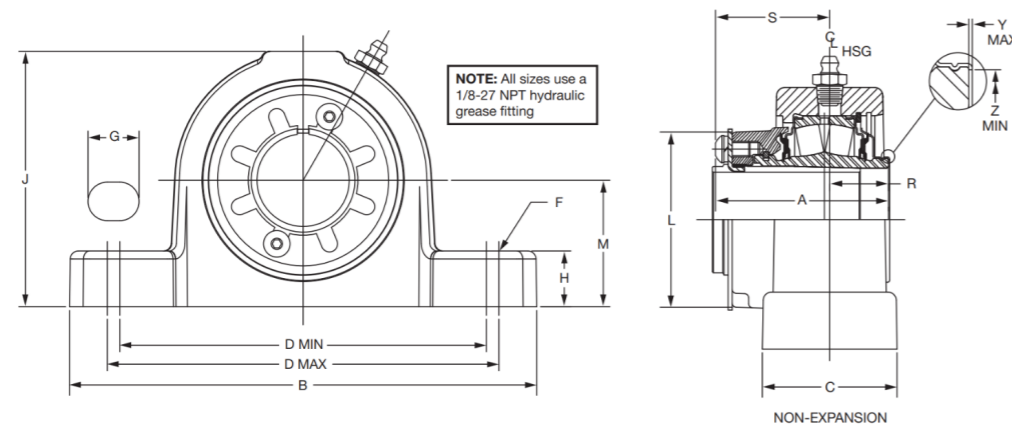
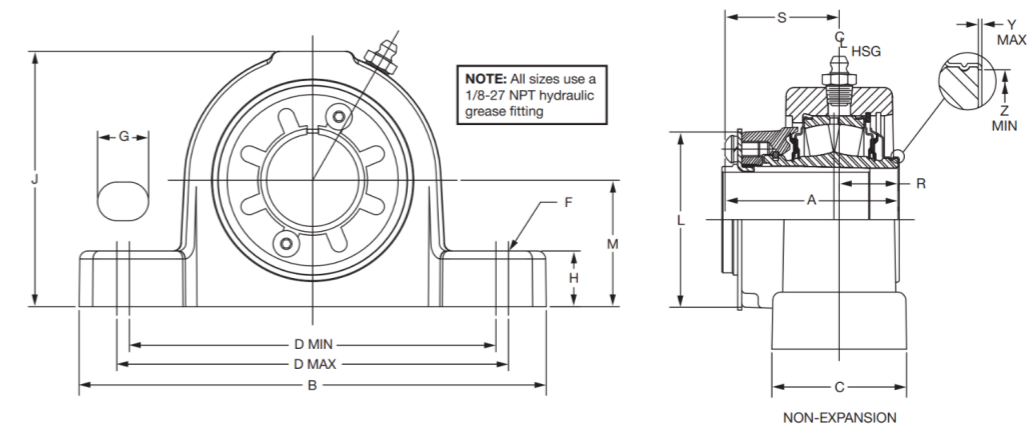


# ISN Pillow Block (Dodge)



# ISN Pillow Block (Dodge)



Part Number	Description	Shaft Size (mm)	A	B	C	D (min.)	D (max.)	F (Bolt Dia.)	G	H	J	L	M	R	S	Y	Z	Part Number	Description
071001	P2B508-ISN-035MFR	35	66.7	205.9	60.2	150	174.6	M12	27.3	25	110.8	67.6	60	22.6	44.1	0.51	45.7	071001	P2B508-ISN-035MFR
071002	P2B509-ISN-040MFR	40	71.4	206.3	60.2	155	174.6	M12	24.8	25	114	74.7	60	20.6	50.8	0.51	52.8	071002	P2B509-ISN-040MFR
071003	P2B510-ISN-045MFR	45	79.1	204.9	69.9	190	215	M16	27.3	28	113.8	81	60	21.1	51.4	0.51	58.4	071003	P2B510-ISN-045MFR
071004	P2B511-ISN-050MFR	50	79.1	253.9	70.2	190	215	M16	31	30	124.5	81	90	21.1	51.4	0.76	58.4	071004	P2B511-ISN-050MFR
071005	P2B512-ISN-055MFR	55	77	253.9	69.9	190	216	M16	31	30	130.3	87.1	100	23.1	54.2	0.76	65	071005	P2B512-ISN-055MFR
071006	P2B513-ISN-060MFR	60	88.9	274.9	80.2	205	236	M16	28.5	30	152.4	96.5	80	25.1	59.7	0.76	65	071006	P2B513-ISN-060MFR
071007	P2B514-ISN-065MFR	65	88.9	280.1	80.1	205	244.5	M20	34.1	32	156	106.7	95	26.9	61.7	0.76	88.1	071007	P2B514-ISN-065MFR
071008	P2B515-ISN-070MFR	70	88.9	315.9	90.2	244.5	268.3	M20	34.1	32	176	106.7	105	26.9	61.7	0.76	88.1	071008	P2B515-ISN-070MFR
071009	P2B516-ISN-075MFR	75	88.9	325.9	90.2	244.5	268.3	M20	34.1	35	196.7	124.7	105	34.1	71.4	0.76	102.9	071009	P2B516-ISN-075MFR
071010	P2B517-ISN-080MFR	80	101.6	345.3	100.3	290	324.1	M20	37.9	35	196.7	124.7	120	34.1	71.4	0.76	102.9	071010	P2B517-ISN-080MFR
071011	P2B518-ISN-090MFR	90	101.6	379.8	100.3	292.8	327.2	M20	42.9	40	218.3	132	120	37.2	82.3	0.76	114.3	071011	P2B518-ISN-090MFR
071012	P2B520-ISN-095MFR	95	120	410	120	314.4	356	M24	46.8	45	239	138.7	125	37.2	82.3	0.76	114.3	071012	P2B520-ISN-095MFR
071013	P2B522-ISN-100MFR	100	120	410	120	314.4	356	M24	46.8	45	239	138.7	125	37.2	82.3	0.76	114.3	071013	P2B522-ISN-100MFR