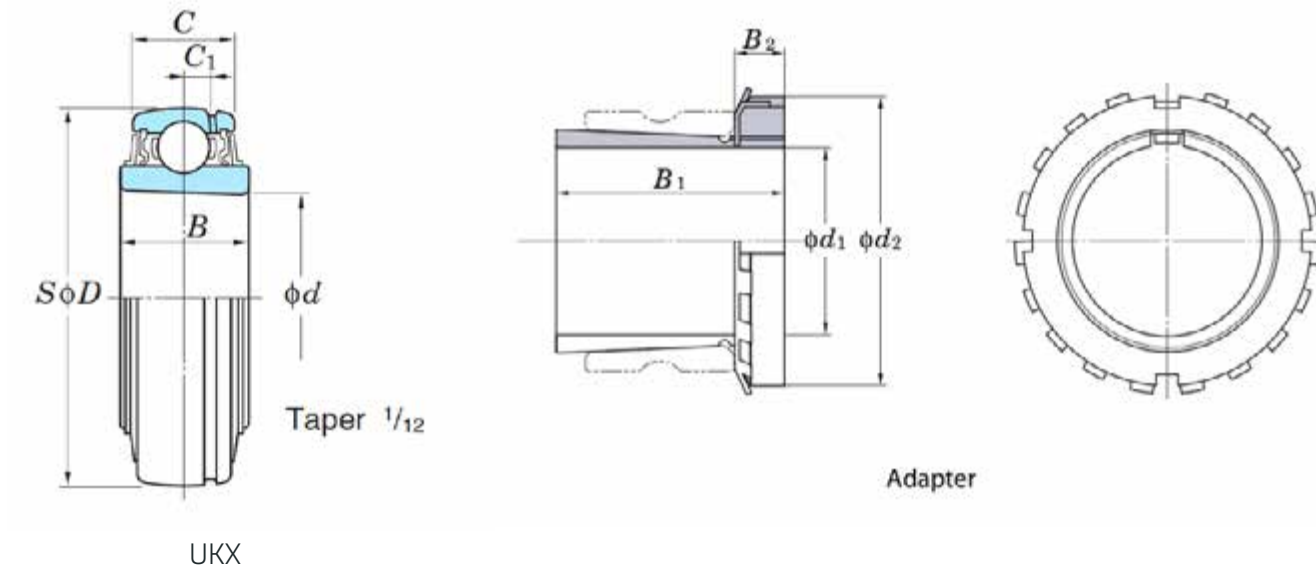
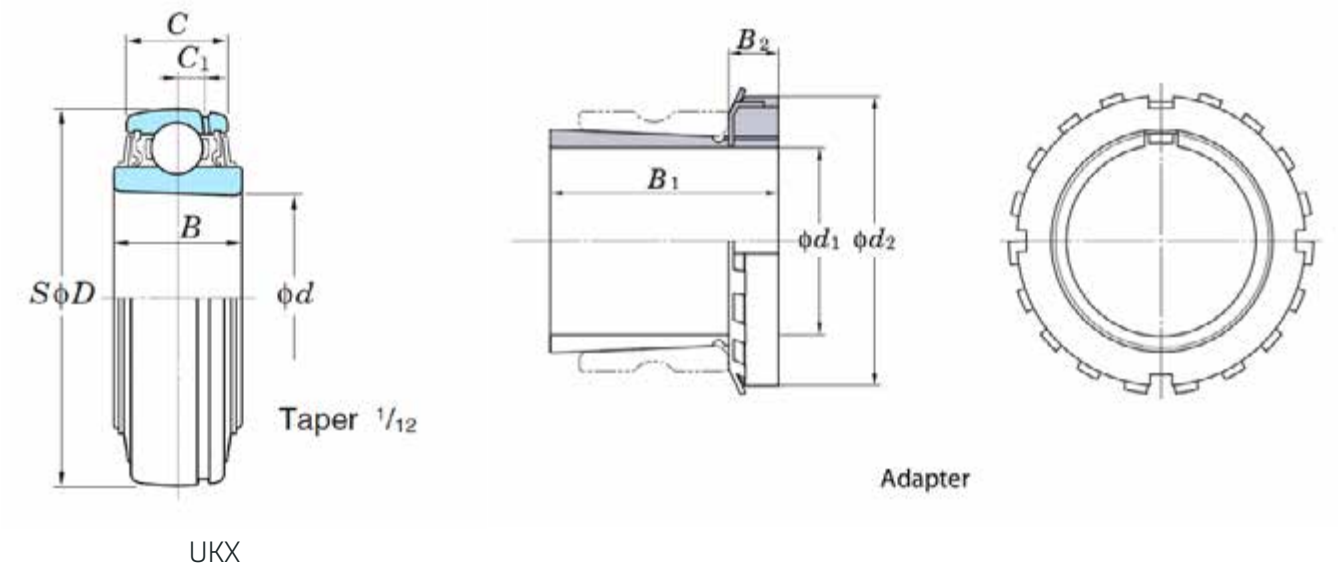


UKX00 Series



UKX00 Series



Shaft Dia		Dimensions										Basic Load ratingskN		Factor	Bearing no.	Adapter Sleeve Dimensions (mm, inch)						Mass kg	
mm	inch	d		D		B		C		C1		Cr	CO _r	f ₀	Standard	Adapter no.	B1		B2		d2		Adapter
d1		mm	inch	mm	inch	mm	inch	mm	inch	mm	inch						mm (H)	inch (HE)	mm (H)	inch (HE)	mm (H)	inch (HE)	
20	3/4	25	0.984	62	2.441	27	1.063	19	0.748	5	0.197	19.5	11.3	13.9	UKX05	HE2305 H2305	35	1.378	8	0.315	38	1.496	0.095
25	1	30	1.181	72	2.835	30	1.181	20	0.787	5.5	0.217	25.7	15.4	13.9	UKX06	HE2306 H2306	38	1.496	8	0.315	45	1.772	0.13
30	1 1/8	35	1.378	80	3.15	34	1.339	21	0.827	6	0.236	29.1	17.8	14	UKX07	HE2307 H2307	43	1.693	9	0.354	52	2.047	0.17
35	1 1/4	40	1.575	85	3.346	36	1.417	22	0.866	6	0.236	34.1	21.3	14	UKX08	HE2308 H2308	46	1.811	10	0.394	58	2.283	0.22
40	1 1/2	45	1.772	90	3.543	36	1.417	24	0.945	6	0.236	35.1	23.3	14.4	UKX09	HE2309 H2309	50	1.969	11	0.433	65	2.559	0.28
45	1 3/4	50	1.969	100	3.937	40	1.575	25	0.984	7	0.276	43.4	29.4	14.4	UKX10	HE2310 H2310	55	2.165	12	0.472	70	2.756	0.36
50	2	55	2.165	110	4.331	47	1.85	27	1.063	7.5	0.295	52.4	36.2	14.4	UKX11	HE2311 H2311	59	2.323	12	0.472	75	2.953	0.42
55	2 1/8	60	2.362	120	4.724	36	1.417	28	1.102	7.5	0.295	57.2	40.1	14.4	UKX12	HE2312 H2312	62	2.441	13	0.512	80	3.15	0.48
60	2 1/4	65	2.559	130	5.118	40	1.575	32	1.26	9	0.354	67.4	48.3	14.5	UKX13	HE2313 H2313	65	2.559	14	0.551	85	3.346	0.56
65	2 1/2	75	2.953	140	5.512	42	1.654	33	1.299	9	0.354	72.7	53	14.6	UKX15	HE2315 H2315	73	2.874	15	0.591	98	3.858	1.05
70	2 3/4	80	3.15	150	5.906	44	1.732	35	1.378	10	0.394	84	61.9	14.5	UKX16	HE2316 H2316	78	3.071	17	0.669	105	4.134	1.3
75	3	85	3.346	160	6.299	48	1.89	38	1.496	11	0.433	96.1	71.5	14.5	UKX17	HE2317 H2317	82	3.228	18	0.709	110	4.331	1.45
80	-	90	3.543	170	6.693	50	1.969	40	1.575	11.5	0.453	109	81.9	14.4	UKX18	H2318	86	3.386	18	0.709	120	4.724	1.7
90	3 1/2	100	3.937	190	7.48	54	2.126	43	1.693	13	0.512	133	105	14.4	UKX20	HE2320 H2320	97	3.819	20	0.787	130	5.118	2.2