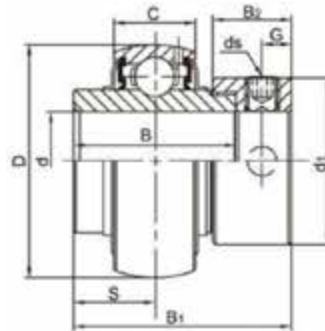


Bearing Inserts

NA200 Series

WIR both side with Locking Collar



| Part No. | Dimensions(mm / inch) | | | | | | | | | | | Basic Loads (KN) | | N.W. (kg/lb) |
|----------|-----------------------|----------|-------|-------|-------|-------|-------|-------|-------|-------|-------|------------------|-------|-----------------|
| | d (mm) | d (inch) | D | B | C | S | a | b | P | G | h | Cr | Cor | |
| NA204 | 20 | - | 47 | 43.5 | 34 | 16 | 17 | 33.3 | 13.5 | 4 | 5 | 11.01 | 5.68 | 0.22 |
| NA204-12 | - | 0.75 | 1.85 | 1.713 | 1.339 | 0.63 | 0.669 | 1.311 | 0.532 | 0.158 | 0.197 | 11.01 | 5.68 | 0.48 |
| NA205 | 25 | - | 52 | 44.3 | 34.8 | 17 | 17.4 | 38.1 | 13.5 | 4.2 | 5 | 12.04 | 6.71 | 0.25 |
| NA205-16 | - | 1 | 2.047 | 1.744 | 1.37 | 0.669 | 0.685 | 1.5 | 0.532 | 0.165 | 0.197 | 12.04 | 6.71 | 0.55 |
| NA206 | 30 | - | 62 | 48.3 | 36.4 | 19 | 18.2 | 44.5 | 15.9 | 4.8 | 6 | 16.68 | 9.63 | 0.41 |
| NA206-20 | - | 1.25 | 2.441 | 1.902 | 1.433 | 0.748 | 0.717 | 1.752 | 0.626 | 0.189 | 0.236 | 16.68 | 9.63 | 0.9 |
| NA207 | 35 | - | 72 | 51.1 | 37.6 | 20 | 18.8 | 55.6 | 17.5 | 5.4 | 6.5 | 22.02 | 13.07 | 0.6 |
| NA207-20 | - | 1.25 | 2.835 | 2.012 | 1.48 | 0.787 | 0.74 | 2.189 | 0.689 | 0.213 | 0.256 | 22.02 | 13.07 | 1.32 |
| NA207-23 | - | 1.438 | 2.835 | 2.012 | 1.48 | 0.787 | 0.74 | 2.189 | 0.689 | 0.213 | 0.256 | 22.02 | 13.07 | 1.32 |
| NA208 | 40 | - | 80 | 56.3 | 42.8 | 21 | 21.4 | 60.3 | 18.3 | 5.9 | 6.5 | 28.04 | 17.03 | 0.78 |
| NA208-24 | - | 1.5 | 3.15 | 2.217 | 1.685 | 0.827 | 0.843 | 2.374 | 0.721 | 0.232 | 0.2 | 28.04 | 17.03 | 1.72 |
| NA209 | 45 | - | 85 | 56.3 | 42.8 | 22 | 21.4 | 63.5 | 18.3 | 6.1 | 6.5 | 28.12 | 17.54 | 0.85 |
| NA209-28 | - | 1.75 | 3.346 | 2.217 | 1.685 | 0.866 | 0.843 | 2.5 | 0.721 | 0.24 | 0.256 | 28.12 | 17.54 | 1.87 |
| NA210 | 50 | - | 90 | 62.7 | 49.2 | 24 | 24.6 | 69.9 | 18.3 | 6.5 | 6.5 | 30.1 | 19.87 | 1.01 |
| NA210-30 | - | 1.875 | 3.543 | 2.469 | 1.937 | 0.945 | 0.969 | 2.752 | 0.721 | 0.256 | 0.256 | 30.1 | 19.87 | 2.22 |
| NA211 | 55 | - | 100 | 71.4 | 55.4 | 25 | 27.7 | 76.2 | 20.7 | 7.1 | 8 | 37.24 | 25.11 | 1.39 |
| NA211-32 | - | 2 | 3.937 | 2.811 | 2.181 | 0.984 | 1.091 | 3 | 0.815 | 0.28 | 0.315 | 37.24 | 25.11 | 3.16 |

NA200 Triple Lip Series

| Part No. | Dimensions(mm / inch) | | | | | | | | | | | Basic Loads (KN) | | N.W. (kg/lb) |
|-------------|-----------------------|----------|-------|-------|-------|-------|-------|-------|-------|-------|-------|------------------|-------|-----------------|
| | d (mm) | d (inch) | D | B | C | S | a | b | P | G | h | Cr | Cor | |
| NA204TRL | 20 | - | 47 | 43.5 | 34 | 16 | 17 | 33.3 | 13.5 | 4 | 5 | 11.01 | 5.68 | 0.22 |
| NA204-12TRL | - | 0.75 | 1.85 | 1.713 | 1.339 | 0.63 | 0.669 | 1.311 | 0.532 | 0.158 | 0.197 | 11.01 | 5.68 | 0.48 |
| NA205TRL | 25 | - | 52 | 44.3 | 34.8 | 17 | 17.4 | 38.1 | 13.5 | 4.2 | 5 | 12.04 | 6.71 | 0.25 |
| NA205-16TRL | - | 1 | 2.047 | 1.744 | 1.37 | 0.669 | 0.685 | 1.5 | 0.532 | 0.165 | 0.197 | 12.04 | 6.71 | 0.55 |
| NA206TRL | 30 | - | 62 | 48.3 | 36.4 | 19 | 18.2 | 44.5 | 15.9 | 4.8 | 6 | 16.68 | 9.63 | 0.41 |
| NA206-20TRL | - | 1.25 | 2.441 | 1.902 | 1.433 | 0.748 | 0.717 | 1.752 | 0.626 | 0.189 | 0.236 | 16.68 | 9.63 | 0.9 |
| NA207TRL | 35 | - | 72 | 51.1 | 37.6 | 20 | 18.8 | 55.6 | 17.5 | 5.4 | 6.5 | 22.02 | 13.07 | 0.6 |
| NA207-20TRL | - | 1.25 | 2.835 | 2.012 | 1.48 | 0.787 | 0.74 | 2.189 | 0.689 | 0.213 | 0.256 | 22.02 | 13.07 | 1.32 |
| NA208TRL | 40 | - | 80 | 56.3 | 42.8 | 21 | 21.4 | 60.3 | 18.3 | 5.9 | 6.5 | 28.04 | 17.03 | 0.78 |
| NA208-24TRL | - | 1.5 | 3.15 | 2.217 | 1.685 | 0.827 | 0.843 | 2.374 | 0.721 | 0.232 | 0.2 | 28.04 | 17.03 | 1.72 |