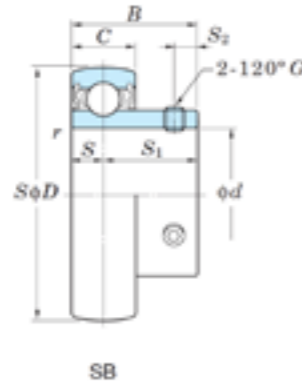
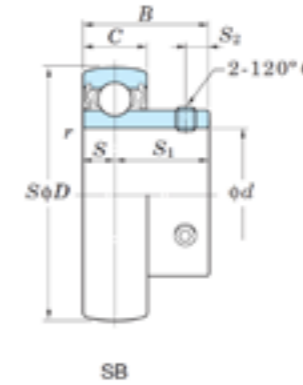


SB200 Series



SB200 Series



Shaft Dia		Dimensions								Basic Load ratingskN		Factor	Bearing no.	Dimensions						Set Screw Brg. Bore		Mass kg
mm	inch	D		B		C		r (min.)		Cr	COr	f 0	Standard	S		S1		S2		G		
d		mm	inch	mm	inch	mm	inch	mm	inch					mm	inch	mm	inch	mm	inch	mm	inch	
-	1/2	40	1.575	22	0.866	12	0.472	0.6	0.024	9.55	4.8	13.2	SB201-8	6	0.236	16	0.63	4	0.157	-	No.10-32UNF	0.1
12	-	40	1.575	22	0.866	12	0.472	0.6	0.024	9.55	4.8	13.2	SB201	6	0.236	16	0.63	4	0.157	M5x0.5	-	0.1
-	5/8	40	1.575	22	0.866	12	0.472	0.6	0.024	9.55	4.8	13.2	SB202-10	6	0.236	16	0.63	4	0.157	-	No.10-32UNF	0.1
15	-	40	1.575	22	0.866	12	0.472	0.6	0.024	9.55	4.8	13.2	SB202	6	0.236	16	0.63	4	0.157	M5x0.5	-	0.1
17	-	40	1.575	22	0.866	12	0.472	0.6	0.024	9.55	4.8	13.2	SB203	6	0.236	16	0.63	4	0.157	M5x0.5	-	0.1
-	3/4	47	1.85	25	0.984	14	0.551	1	0.039	12.8	6.65	13.2	SB204-12	7	0.276	18	0.709	5	0.197	-	1/4-28UNF	0.15
20	-	47	1.85	25	0.984	14	0.551	1	0.039	12.8	6.65	13.2	SB204	7	0.276	18	0.709	5	0.197	M6x0.75	-	0.15
-	7/8	52	2	27	1.063	15	0.591	1	0.039	14	7.85	13.9	SB205-14	7.5	0.295	19.5	0.768	5.5	0.217	-	1/4-28UNF	0.18
-	15/16	52	2	27	1.063	15	0.591	1	0.039	14	7.85	13.9	SB205-15	7.5	0.295	19.5	0.768	5.5	0.217	-	1/4-28UNF	0.18
-	1	52	2	27	1.063	15	0.591	1	0.039	14	7.85	13.9	SB205-16	7.5	0.295	19.5	0.768	5.5	0.217	-	1/4-28UNF	0.18
25	-	52	2	27	1.063	15	0.591	1	0.039	14	7.85	13.9	SB205	7.5	0.295	19.5	0.768	5.5	0.217	M6x0.75	-	0.18
-	1 1/4	62	2.441	30	1.181	16	0.63	1	0.039	19.5	11.3	13.9	SB206-20	8	0.315	22	0.866	6	0.236	-	1/4-28UNF	0.27
30	-	62	2.441	30	1.181	16	0.63	1	0.039	19.5	11.3	13.9	SB206	8	0.315	22	0.866	6	0.236	M6x0.75	-	0.27
-	1 7/16	72	2.835	32	1.26	17	0.669	1.1	0.043	25.7	15.4	13.9	SB207-23	8.5	0.335	23.5	0.925	6	0.236	-	1/4-28UNF	0.42
-	1 1/4	72	2.835	32	1.26	17	0.669	1.1	0.043	25.7	15.4	13.9	SB207-20	8.5	0.335	23.5	0.925	6	0.236	-	1/4-28UNF	0.42
35	-	72	2.835	32	1.26	17	0.669	1.1	0.043	25.7	15.4	13.9	SB207	8.5	0.335	23.5	0.925	6	0.236	M6x0.75	-	0.42
-	1 1/2	80	3.15	34	1.339	18	0.709	1.1	0.043	29.1	17.8	14	SB208-24	9	0.354	25	0.984	8	0.315	-	5/16-24UNF	0.6
40	-	80	3.15	34	1.339	18	0.709	1.1	0.043	29.1	17.8	14	SB208	9	0.354	25	0.984	8	0.315	M8x1	-	0.6

SBB200 Series

SBB200 Series

Shaft Dia		Dimensions								Basic Load ratingskN		Factor	Bearing no.	Dimensions						Set Screw Brg. Bore		Mass kg
mm	inch	D		B		C		r (min.)		Cr	COr	f 0	Standard	S		S1		S2		G		
d		mm	inch	mm	inch	mm	inch	mm	inch					mm	inch	mm	inch	mm	inch	mm	inch	
-	1/2	40	1.575	22	0.866	12	0.472	0.6	0.024	9.55	4.8	13.2	SBB201-8RK	6	0.236	16	0.630	4	0.147	-	No. 10-32UNF	0.1
-	5/8	40	1.575	22	0.866	12	0.472	0.6	0.024	9.55	4.8	13.2	SBB202-10RK	6	0.236	16	0.630	4	0.147	-	No. 10-32UNF	0.1
17	-	40	1.575	22	0.866	12	0.472	0.6	0.024	9.55	4.8	13.2	SBB203RK	6	0.236	16	0.630	4	0.157	M5X0.5	-	0.1
-	3/4	47	1.850	25	0.984	14	0.511	1	0.039	12.8	6.65	13.2	SBB204-12RK	7	0.276	18	0.079	5	0.197	-	1/4 28UNF	0.15
20	-	47	1.850	25	0.984	14	0.511	1	0.039	12.8	6.65	13.2	SBB204RK	7	0.276	18	0.079	5	0.197	M6X0.75	-	0.15
-	7/8	52	2.047	27	1.063	15	0.591	1	0.039	14.0	7.85	13.9	SBB205-14RK	7.5	0.295	19.5	0.678	5.5	0.217	-	1/4 28UNF	0.18
-	1	52	2.047	27	1.063	15	0.591	1	0.039	14.0	7.85	13.9	SBB205-16RK	7.5	0.295	19.5	0.678	5.5	0.217	-	1/4 28UNF	0.18
25	-	52	2.047	27	1.063	15	0.591	1	0.039	14.0	7.85	13.9	SBB205RK	7.5	0.295	19.5	0.678	5.5	0.217	M6X0.75	-	0.18
-	1 1/8	62	2.441	27	1.063	15	0.591	1	0.039	19.5	11.3	13.9	SBB206-18RK	8	0.315	22	0.866	6	0.236	-	1/4 28UNF	0.27
-	1 1/4	62	2.441	30	1.181	16	0.630	1	0.039	19.5	11.3	13.9	SBB206-20RK	8	0.315	22	0.866	6	0.236	-	1/4 28UNF	0.42
30	-	62	2.441	30	1.181	16	0.630	1	0.039	19.5	11.3	13.9	SBB206RK	8	0.315	22	0.866	6	0.236	M6X0.75	-	0.27
-	1 1/4	72	2.835	32	1.260	17	0.669	1.1	0.043	25.7	15.4	13.9	SBB207-20RK	8.5	0.335	23.5	0.925	6	0.236	-	1/4 28UNF	0.42
-	1 3/8	72	2.835	32	1.260	17	0.669	1.1	0.043	25.7	15.4	13.9	SBB207-22RK	8.5	0.335	23.5	0.925	6	0.236	-	1/4 28UNF	0.42
35	-	72	2.835	32	1.260	17	0.669	1.1	0.043	25.7	15.4	13.9	SBB207RK	8.5	0.335	23.5	0.925	6	0.236	M6X0.75	-	0.42
-	1 1/2	80	3.150	34	1.339	18	0.709	1.1	0.043	29.1	17.8	14	SBB208-24RK	9	0.354	25	0.984	8	0.315	-	5/16 24UNF	0.6
40	-	80	3.150	34	1.339	18	0.709	1.1	0.043	29.1	17.8	14	SBB208RK	9	0.354	25	0.984	8	0.315	MBX1	-	0.6