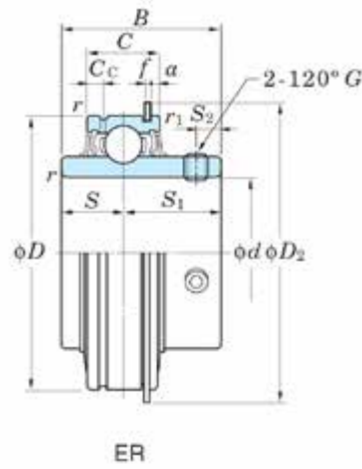
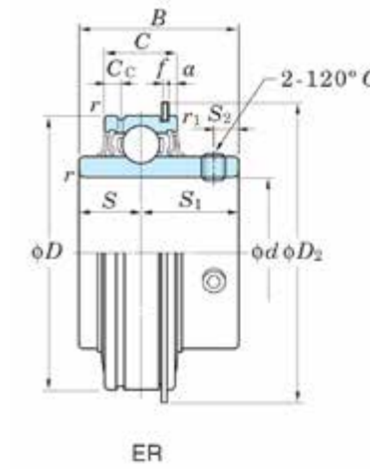


ER200 Series



ER

ER200 Series



ER

Shaft Dia.		Dimensions (inch , mm)					Basic Load Ratings		Factor	Bearing No.	Dimensions (inch , mm)							Set Screw Brg. Bore		Mass(kg)
mm	inch	D	B	C	r (min.)	r1 (min.)	kN		f 0	ER	S	S1	S2	Cc	a	f	D2	G		ER
d							Cr	Cor										mm	inch	
-	5/8	47	31	16	0.6	0.5	12.8	6.65	13.2	ER202-10	12.7	18.3	5	4	2.38	1.07	52.5	-	1/4-28UNF	0.25
15	-	47	31	16	0.6	0.5	12.8	6.65	13.2	ER202	12.7	18.3	5	4	2.38	1.07	52.5	M6x0.76	1/4-28UNF	0.25
17	-	47	31	16	0.6	0.5	12.8	6.65	13.2	ER203	12.7	18.3	5	4	2.38	1.07	52.5	M6x0.77	1/4-28UNF	0.24
-	3/4	1.85	1.22	0.63	0.039	0.02	12.8	6.65	13.2	ER204-12	0.5	0.72	0.197	0.157	0.094	0.042	2.067	-	1/4-28UNF	0.22
20	-	47	31	16	1	0.5	12.8	6.65	13.2	ER204	12.7	18.3	5	4	2.38	1.07	52.5	M6x0.75	-	0.22
-	1	2.047	1.343	0.748	0.039	0.02	14	7.85	13.9	ER205-16	0.563	0.78	0.217	0.197	0.094	0.042	2.272	-	1/4-28UNF	0.27
25	-	52	34.1	19	1	0.5	14	7.85	13.9	ER205	14.3	19.8	5.5	5	2.38	1.07	57.7	M6x0.75	-	0.27
-	1 1/4	2.441	1.5	0.866	0.039	0.02	19.5	11.3	13.9	ER206-20	0.626	0.874	0.236	0.217	0.125	0.065	2.657	-	1/4-28UNF	0.37
30	-	62	38.1	22	1	0.5	19.5	11.3	13.9	ER206	15.9	22.2	6	5.5	3.18	1.65	67.5	M6x0.75	-	0.39
-	1 1/4	2.835	1.689	0.945	0.043	0.02	25.7	15.4	13.9	ER207-20	0.689	1	0.256	0.217	0.125	0.065	3.087	-	5/16-24UNF	0.69
-	1 7/16	2.835	1.689	0.945	0.043	0.02	25.7	15.4	13.9	ER207-23	0.689	1	0.256	0.217	0.125	0.065	3.087	-	5/16-24UNF	0.61
35	-	72	42.9	24	1.1	0.5	25.7	15.4	13.9	ER207	17.5	25.4	6.5	5.5	3.18	1.65	78.4	M8x1	-	0.63
-	1 1/2	3.15	1.937	1.102	0.043	0.02	29.1	17.8	14	ER208-24	0.748	1.189	0.315	0.236	0.125	0.065	3.402	-	5/16-24UNF	0.85
40	-	80	49.2	28	1.1	0.5	29.1	17.8	14	ER208	19	30.2	8	6	3.18	1.65	86.4	M8x1	-	0.81
-	1 3/4	3.346	1.937	1.102	0.043	0.02	34.1	21.3	14	ER209-28	0.748	1.189	0.315	0.236	0.125	0.065	3.598	-	5/16-24UNF	0.92
45	-	85	49.2	28	1.1	0.5	34.1	21.3	14	ER209	19	30.2	8	6	3.18	1.65	91.4	M8x1	-	0.9
-	1 7/8	3.543	2.031	1.102	0.043	0.02	35.1	23.3	14.4	ER210-30	0.748	1.283	0.354	0.295	0.125	0.095	3.791	-	3/8-24UNF	1.05
50	-	90	51.6	28	1.1	0.5	35.1	23.3	14.4	ER210	19	32.6	9	7.5	3.18	2.41	96.3	M10x1.25	-	0.98
60	-	110	65.1	32	1.5	0.5	52.4	36.2	14.4	ER212	25.4	39.7	10.5	7.5	3.18	2.41	116.4	M10x1.25	-	1.89