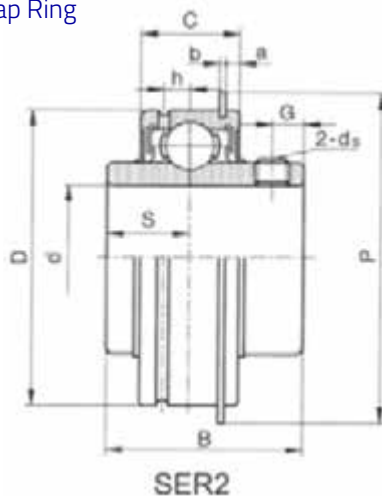


SER200 Series

WIR both side with Grub Screw and Snap Ring



| Part No. | Dimensions(mm / inch) | | | | | | | | | | | Basic Loads (KN) | | N.W. (kg) |
|-----------|-----------------------|----------|-------|-------|-------|-------|-------|-------|-------|-------|-------|------------------|-------|-----------|
| | d (mm) | d (inch) | D | B | C | S | a | b | P | G | h | Cr | Cor | |
| SER204 | 20 | - | 47 | 31 | 16 | 12.7 | 2.38 | 1.07 | 52.5 | 5 | 4 | 11.01 | 5.68 | 0.21 |
| SER204-12 | - | 0.75 | 1.85 | 1.221 | 0.63 | 0.5 | 0.094 | 0.042 | 2.067 | 0.197 | 0.158 | 11.01 | 5.68 | 0.46 |
| SER205 | 25 | - | 52 | 34.1 | 19 | 14.3 | 2.38 | 1.07 | 57.7 | 5.5 | 4.5 | 12.04 | 6.71 | 0.27 |
| SER205-16 | - | 1 | 2.047 | 1.343 | 0.748 | 0.563 | 0.094 | 0.042 | 2.272 | 0.217 | 0.177 | 12.04 | 6.71 | 0.59 |
| SER206 | 30 | - | 62 | 38.1 | 22 | 15.9 | 3.18 | 1.65 | 87.5 | 6 | 5.5 | 16.68 | 9.63 | 0.39 |
| SER206-20 | - | 1.25 | 2.441 | 1.5 | 0.866 | 0.626 | 0.125 | 0.065 | 2.668 | 0.236 | 0.217 | 16.68 | 9.63 | 0.86 |
| SER207 | 35 | - | 72 | 42.9 | 24 | 17.5 | 3.18 | 1.65 | 78.4 | 6.5 | 6.5 | 22.02 | 13.07 | 0.63 |
| SER207-20 | - | 1.25 | 2.835 | 1.689 | 0.945 | 0.689 | 0.125 | 0.065 | 3.087 | 0.256 | 0.256 | 22.02 | 13.07 | 1.39 |
| SER207-23 | - | 1.438 | 2.835 | 1.689 | 0.945 | 0.689 | 0.125 | 0.065 | 3.087 | 0.256 | 0.256 | 22.02 | 13.07 | 1.39 |
| SER208 | 40 | - | 80 | 49.2 | 28 | 19 | 3.18 | 1.65 | 86.4 | 8 | 8 | 28.04 | 17.03 | 0.81 |
| SER208-24 | - | 1.5 | 3.15 | 1.937 | 1.102 | 0.748 | 0.125 | 0.065 | 3.402 | 0.315 | 0.315 | 28.04 | 17.03 | 1.78 |
| SER209 | 45 | - | 85 | 49.2 | 28 | 19 | 3.18 | 1.65 | 91.4 | 8 | 8 | 28.12 | 17.54 | 0.9 |
| SER209-28 | - | 1.75 | 3.346 | 1.937 | 1.102 | 0.748 | 0.125 | 0.065 | 3.598 | 0.315 | 0.315 | 28.12 | 17.54 | 1.98 |
| SER210 | 50 | - | 90 | 51.6 | 28 | 19 | 3.18 | 2.41 | 96.3 | 9 | 6.5 | 30.1 | 19.87 | 0.98 |
| SER210-30 | - | 1.875 | 3.543 | 2.032 | 1.102 | 0.748 | 0.125 | 0.095 | 3.791 | 0.354 | 0.256 | 30.1 | 19.87 | 2.16 |