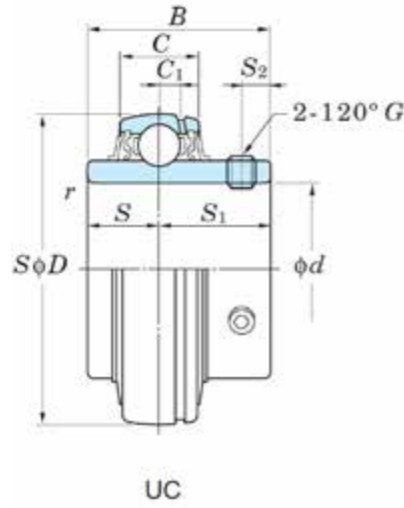
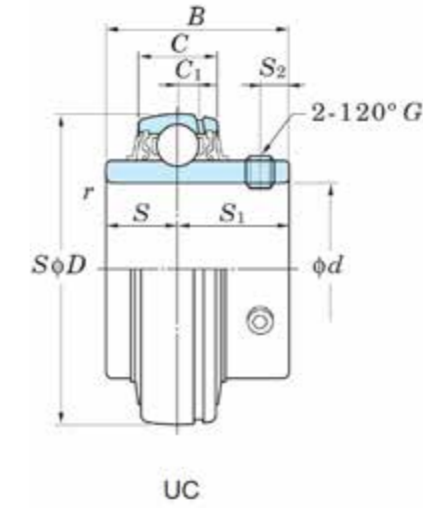


# UC200 Stainless Steel Series



# UC200 Stainless Steel Series



Shaft Dia		Dimensions								Basic Load ratingskN		Factor	Bearing no.	Dimensions								Set Screw Brg. Bore	Mass kg
mm	inch	D		B		C		r (min.)		Cr	Cor	f0	Standard	C1		S		S1		S2		G	
d		mm	inch	mm	inch	mm	inch	mm	inch					mm	inch	mm	inch	mm	inch	mm	inch		
-	1/2	40	1.575	27.4	1.079	13	0.512	0.6	0.024	8.15	3.85	13.2	SSUC201-8	3.5	0.138	11.5	0.453	15.9	0.626	4	0.158	M5x0.5	0.1
12	-	40	1.575	27.4	1.079	13	0.512	0.6	0.024	8.15	3.85	13.2	SSUC201	3.5	0.138	11.5	0.453	15.9	0.626	4	0.158	M5x0.5	0.1
-	5/8	40	1.575	27.4	1.079	13	0.512	0.6	0.024	8.15	3.85	13.2	SSUC202-10	3.5	0.138	11.5	0.453	15.9	0.626	4	0.158	M5x0.5	0.1
15	-	40	1.575	27.4	1.079	13	0.512	0.6	0.024	8.15	3.85	13.2	SSUC202	3.5	0.138	11.5	0.453	15.9	0.626	4	0.158	M5x0.5	0.1
17	-	40	1.575	27.4	1.079	13	0.512	0.6	0.024	8.15	3.85	13.2	SSUC203	3.5	0.138	11.5	0.453	15.9	0.626	4	0.158	M5x0.5	0.1
-	3/4	47	1.85	31	1.22	16	0.63	1	0.039	10.9	5.35	13.2	SSUC204-12	4	0.157	12.7	0.5	18.3	0.72	5	0.197	M6x0.75	0.16
20	-	47	1.85	31	1.22	16	0.63	1	0.039	10.9	5.35	13.2	SSUC204	4	0.157	12.7	0.5	18.3	0.72	5	0.197	M6x0.75	0.16
-	7/8	52	2.047	34.1	1.343	17	0.669	1	0.039	11.9	6.3	13.9	SSUC205-14	5	0.197	14.3	0.563	19.8	0.78	5.5	0.217	M6x0.75	0.23
-	1	52	2.047	34.1	1.343	17	0.669	1	0.039	11.9	6.3	13.9	SSUC205-16	5	0.197	14.3	0.563	19.8	0.78	5.5	0.217	M6x0.75	0.2
25	-	52	2.047	34.1	1.343	17	0.669	1	0.039	11.9	6.3	13.9	SSUC205	5	0.197	14.3	0.563	19.8	0.78	5.5	0.217	M6x0.75	0.2
-	1 1/4	62	2.441	38.1	1.5	19	0.748	1	0.039	16.5	9.05	13.9	SSUC206-20	5	0.197	15.9	0.626	22.2	0.874	6	0.236	M6x0.75	0.3
30	-	62	2.441	38.1	1.5	19	0.748	1	0.039	19.5	11.3	13.9	SSUC206	5	0.197	15.9	0.626	22.2	0.874	6	0.236	M6x0.75	0.32
-	1 1/4	72	2.835	42.9	1.689	20	0.787	1.1	0.043	21.8	12.3	13.9	SSUC207-20	5.5	0.217	17.5	0.689	25.4	1	6.5	0.256	M8x1	0.54
-	1 7/16	72	2.835	42.9	1.689	20	0.787	1.1	0.043	25.7	15.4	13.9	SSUC207-23	5.5	0.217	17.5	0.689	25.4	1	6.5	0.256	M8x1	0.45
35	-	72	2.835	42.9	1.689	20	0.787	1.1	0.043	25.7	15.4	13.9	SSUC207	5.5	0.217	17.5	0.689	25.4	1	6.5	0.256	M8x1	0.48
-	1 1/2	80	3.15	49.2	1.937	21	0.827	1.1	0.043	24.8	14.3	14	SSUC208-24	6	0.236	19	0.748	30.2	1.189	8	0.315	M8x1	0.68
40	-	80	3.15	49.2	1.937	21	0.827	1.1	0.043	24.8	14.3	14	SSUC208	6	0.236	19	0.748	30.2	1.189	8	0.315	M8x1	0.64
-	1 3/4	85	3.346	49.2	1.937	22	0.866	1.1	0.043	27.8	16.2	14	SSUC209-28	6	0.236	19	0.748	30.2	1.189	8	0.315	M8x1	0.7
45	-	85	3.346	49.2	1.937	22	0.866	1.1	0.043	27.8	16.2	14	SSUC209	6	0.236	19	0.748	30.2	1.189	8	0.315	M8x1	0.68
50	-	90	3.543	51.6	2.031	24	0.945	1.1	0.043	29.8	18.6	14.4	SSUC210	6	0.236	19	0.748	32.6	1.283	9	0.354	M8x1	0.8
-	2	100	3.937	55.6	2.189	25	0.984	1.5	0.059	36.8	23.5	14.4	SSUC211-32	7	0.276	22.2	0.874	33.4	1.315	9	0.354	M10x1.25	1.26
55	-	100	3.937	55.6	2.189	25	0.984	1.5	0.059	36.8	23.5	14.4	SSUC211	7	0.276	22.2	0.874	33.4	1.315	9	0.354	M10x1.25	1.11
-	2 3/16	100	3.937	55.6	2.189	25	0.984	1.5	0.059	36.8	23.5	14.4	SSUC211-35	7	0.276	22.2	0.874	33.4	1.315	9	0.354	M10x1.25	1.09
60	-	110	4.331	65.1	2.563	27	1.063	1.5	0.059	44.5	29	14.4	SSUC212	7.5	0.295	25.4	1	39.7	1.563	10.5	0.413	M10x1.25	1.54