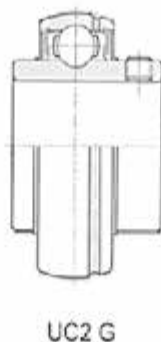
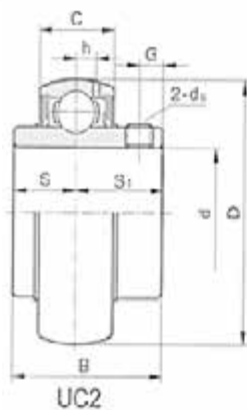


UC200 Series (Light Duty)

WIR both side with Grub Screw

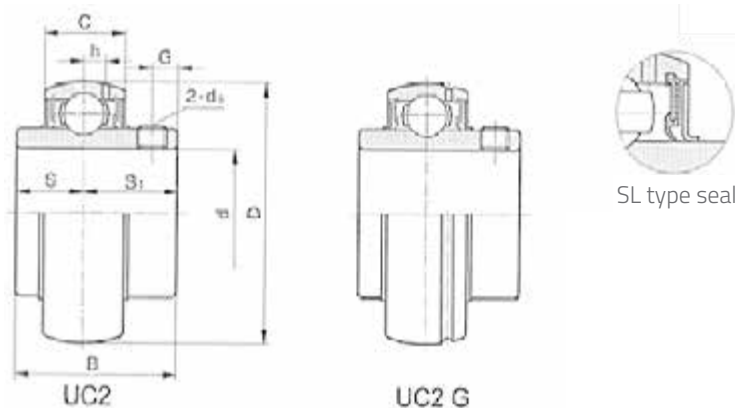


SL type seal

Part No.	Dimensions(mm / inch)									Basic Loads (KN)		N.W. (kg/lb)
	d (mm)	d (inch)	D	B	C	S	S ₁	G	h	Cr	Cor	
UC201	12	-	47	31	16	12.7	18.3	5	4	11	5.7	0.21
UC201-8	-	0.5	47	31	16	12.7	18.3	5	4	11	5.7	0.21
UC202	15	-	47	31	16	12.7	18.3	5	4	11	5.7	0.19
UC202-10	-	0.625	47	31	16	12.7	18.3	5	4	11	5.7	0.42
UC203	17	-	47	31	16	12.7	18.3	5	4	11	5.7	0.17
UC204	20	-	47	31	16	12.7	18.3	5	4	11	5.7	0.16
UC204-12	-	0.75	47	31	16	12.7	18.3	5	4	11	5.7	0.35
UC205	25	-	52	34.1	17	14.3	19.8	5.5	4.2	12	6.7	0.21
UC205-14	-	0.875	52	34.1	17	14.3	19.8	5.5	4.2	12	6.7	0.47
UC205-16	1	-	52	34.1	17	14.3	19.8	5.5	4.2	12	6.7	0.47
UC206	30	-	62	38.1	19	15.9	22.2	6	4.8	16.7	9.6	0.33
UC206-18	-	1.125	62	38.1	19	15.9	22.2	6	4.8	16.7	9.6	0.7
UC206-19	-	1.188	62	38.1	19	15.9	22.2	6	4.8	16.7	9.6	0.7
UC206-20	1.25	1.25	62	38.1	19	15.9	22.2	6	4.8	16.7	9.6	0.7
UC207	35	-	72	42.9	20	17.5	25.4	6.5	5.4	22	13.1	0.47
UC207-20	-	1.25	72	42.9	20	17.5	25.4	6.5	5.4	22	13.1	1.03
UC207-22	-	1.375	72	42.9	20	17.5	25.4	6.5	5.4	22	13.1	1.03
UC207-23	-	1.438	72	42.9	20	17.5	25.4	6.5	5.4	22	13.1	1.03
UC208	40	-	80	49.2	21	19	30.2	8	5.9	28	17	0.64
UC208-24	-	1.5	80	49.2	21	19	30.2	8	5.9	28	17	1.41
UC209	45	-	85	49.2	22	19	30.2	8	6.1	28.1	17.5	0.67
UC209-26	-	1.625	85	49.2	22	19	30.2	8	6.1	28.1	17.5	1.5
UC209-28	-	1.75	85	49.2	22	19	30.2	8	6.1	28.1	17.5	1.5
UC210	50	-	90	51.6	24	19	32.6	9	6.5	30.1	19.9	0.81
UC210-30	-	1.875	90	51.6	24	19	32.6	9	6.5	30.1	19.9	1.78
UC210-31	-	1.937	90	51.6	24	19	32.6	9	6.5	30.1	19.9	1.78
UC210-32	2	2	90	55.60	0.984	25	33.4	0.354	9	37.2	25.1	2.47

UC200 Series (Light Duty)

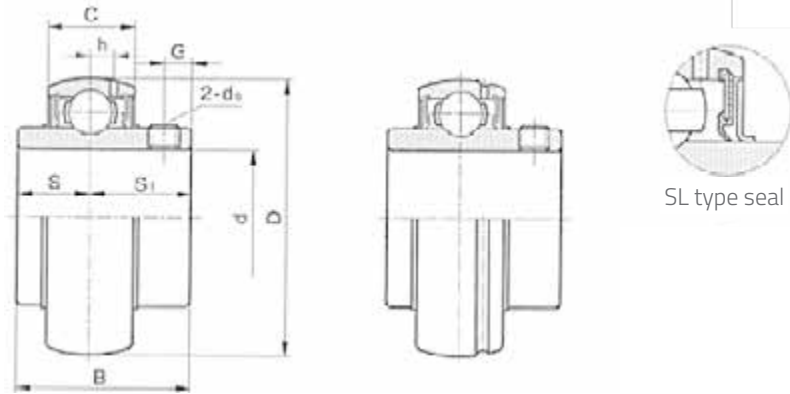
WIR both side with Grub Screw



Part No.	Dimensions(mm / inch)									Basic Loads (kN)		N.W. (kg/lb)
	d (mm)	d (inch)	D	B	C	S	S1	G	h	Cr	Cor	
UC211	55	-	100	55.6	25	22.2	33.4	9	7.1	37.2	25.1	1.12
UC211-32	-	2	3.937	2.189	0.984	0.874	1.315	0.354	0.28	37.2	25.1	2.47
UC212	60	-	110	65.1	27	25.4	39.7	10.5	7.6	41	28.3	1.53
UC212-36	-	2.5	4.331	2.563	1.063	1	1.563	0.413	0.299	41	28.3	3.37
UC212-38	-	2.375	4.331	2.563	1.063	1	1.563	0.413	0.299	41	28.3	3.37
UC213	65	-	120	65.1	28	25.4	39.7	12	8.5	49.2	34.4	1.86
UC213-40	-	2.50	4.724	2.563	1.102	1	1.563	0.472	0.335	49.2	34.4	4.1
UC214	70	-	125	74.6	30	30.2	44.4	12	8.9	53.5	37.8	2.05
UC214-44	-	2.75	4.921	2.937	1.181	1.189	1.748	0.472	0.35	53.5	37.8	4.52
UC215	75	-	130	77.8	32	33.3	44.5	12	9	56.8	42.6	2.21
UC215-48	-	3	5.118	3.063	1.26	1.311	1.752	0.472	0.354	56.8	42.6	4.87
UC216	80	-	140	82.6	33	33.3	49.3	14	9	62.4	45.6	2.79
UC216-50	-	3.125	5.512	3.252	1.299	1.311	1.941	0.551	0.354	59.9	46.4	6.14
UC217	85	-	150	85.7	35	34.1	51.6	14	10	71.8	55	3.38
UC217-52	-	3.25	5.906	3.374	1.378	1.343	2.032	0.551	0.394	71.8	55	7.44
UC218	90	-	160	96	37	39.7	56.3	15	10.5	82.6	61.5	4.45
UC218-56	-	3.5	6.299	3.78	1.457	1.563	2.216	0.591	0.413	82.6	61.5	9.8

UC300 Series (Heavy Duty)

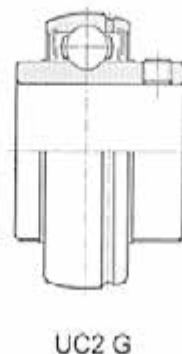
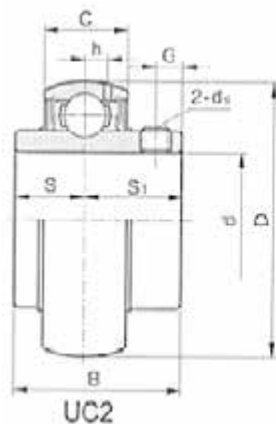
WIR both side with Grub Screw



SL type seal

Part No.	Dimensions(mm/Inch)												Basic Load Rating kg		Weight kg
	d (mm)	d (Inch)	D	Bi	Be	r	n	m	G	ds	T	w	Dynamic C	Static Co	
UC305	25	-	62	38	21	2	15	23	6	M6x0.75	6.1	36.9	1670	1090	0.44
UC306	30	-	72	43	23	2	17	26	6	M6x0.75	6.7	45	2100	1420	0.56
UC307	35	-	80	48	25	2.5	19	29	8	M8x1	7.4	50.5	2620	1820	0.71
UC308	40	-	90	52	27	2.5	19	33	10	M10x1.25	8.2	56	3200	2270	1
UC309	45	-	100	57	30	2.5	22	35	10	M10x1.25	9	63	4050	3050	1.28
UC309-26	-	1 5/8	100	57	30	3.5	22	35	10	3/(8-24)	9	63	8930	6720	2.82
UC309-28	-	1 3/4	100	57	30	3.5	22	35	10	3/(8-24)	9	63	8930	6720	2.82
UC310	50	-	110	61	32	3	22	39	12	M12x1.5	10	70.5	4850	3650	1.65
UC310-30	-	1 7/8	110	61	32	3	22	39	12	7/(16-20)	10	70.5	10700	8050	3.64
UC311	55	-	120	66	34	3	25	41	12	M12x1.5	10.7	76.5	5600	4250	2.07
UC311-32	2	-	4.7244	66	34	3	25	41	12	7/(16-20)	10.7	76.5	12300	9370	4.56
UC311-34	-	2 1/8	4.7244	66	34	3	25	41	12	7/(16-20)	10.7	76.5	12300	9370	4.56
UC312	60	-	130	71	36	3.5	26	45	12	M12x1.5	11.5	82.5	6400	4900	2.59
UC312-36	-	2 1/4	130	71	36	3.5	26	45	12	1/(2-20)	11.5	82.5	14100	10800	5.71
UC312-38	-	2 3/8	130	71	36	3.5	26	45	12	1/(2-20)	11.5	82.5	14100	10800	5.71
UC313	65	-	140	75	38	3.5	30	45	12	M12x1.5	12.2	88.5	7250	5650	3.15
UC313-40	-	2 1/2	140	75	38	3.5	30	45	12	1/(2-20)	12.2	88.5	16000	12500	6.94
UC314	70	-	150	78	40	3.5	33	45	12	M12x1.5	13	95.2	8150	6450	3.83
UC314-44	-	2 3/4	150	78	40	3.5	33	45	12	1/(2-20)	13	95.2	18000	14200	8.44
UC315	75	-	160	82	42	3.5	32	50	14	M14x1.5	13.8	101.5	8900	7200	4.59
UC315-48	-	3	160	82	42	3.5	32	50	14	9/(16-18)	13.8	101.5	19600	15900	10.12
UC316	80	-	170	86	44	3.5	34	52	14	M14x1.5	14.5	108	9650	8150	5.4
UC316-50	-	3 1/8	170	86	44	3.5	34	52	14	9/(16-18)	14.5	108	21300	18000	11.9
UC317	85	-	180	96	46	4	40	56	16	M16x1.5	15	114.5	10400	9100	6.58
UC317-52	-	3 1/4	180	96	46	4	40	56	16	(5/8-18)	15	114.5	22900	20100	14.5
UC318	90	-	190	96	48	4	40	56	16	M16x1.5	15.9	121	11200	10100	7.34
UC318-56	-	3 1/2	190	96	48	4	40	56	16	(5/8-18)	15.9	121	24700	22300	16.18

UC200 Triple Lip Series



L3 type seal

Part No.	Dimensions(mm / inch)									Basic Loads (KN)		N.W. (kg/lb)
	d (mm)	d (inch)	D	B	C	S	S1	G	h	Cr	Cor	
UC204TRL	20	-	47	31	16	12.7	18.3	5	4	10.8	5.5	0.16
UC204-12TRL	-	3/4	1.85	1.221	0.63	0.5	0.721	0.197	0.158	11	5.7	0.35
UC205TRL	25	-	52	34	17	14.3	19.8	5.5	4.2	11.8	6.6	0.21
UC205-16TRL	-	1	2.047	1.343	0.669	0.563	0.78	0.217	0.165	12	6.7	0.47
UC206TRL	30	-	62	38	19	15.9	22.2	6	4.8	16.3	9.4	0.32
UC206-20TRL	-	1 1/4	2.441	1.5	0.748	0.626	0.874	0.236	0.189	16.7	9.6	0.7
UC207TRL	35	-	72	43	20	17.5	25.4	6.5	5.4	21.5	12.8	0.47
UC207-20TRL	-	1 1/4	2.835	1.589	0.787	0.689	1	0.256	0.213	22	13.1	1.03
UC207-22TRL	-	1 3/8	2.835	1.589	0.787	0.689	1	0.256	0.213	22	13.1	1.03
UC207-23TRL	-	1 4/9	2.835	1.589	0.787	0.689	1	0.256	0.213	22	13.1	1.03
UC208TRL	40	-	80	49	21	19	30.2	8	5.9	27.4	16.6	0.64
UC208-24TRL	-	1 1/2	3.15	1.937	0.827	0.748	1.189	0.315	0.232	28	17	1.41
UC209TRL	45	-	85	49	22	19	30.2	8	6.1	27.5	17.1	0.68
UC209-28TRL	-	1 3/4	3.346	1.937	0.866	0.748	1.189	0.315	0.24	28.1	17.5	1.5
UC210TRL	50	-	90	52	24	19	32.6	9	6.5	29.4	19.4	0.81
UC210-30TRL	-	1 7/8	3.543	2.032	0.945	0.748	1.284	0.354	0.256	30.1	19.9	1.78
UC211TRL	55	-	100	56	25	22.2	33.4	9	7.1	36.4	24.5	1.12
UC211-32TRL	-	2	3.937	2.189	0.984	0.874	1.315	0.354	0.28	37.2	25.1	2.47
UC212TRL	60	-	110	65.1	27	25.4	39.7	10.5	7.6	41	28.3	1.53
UC213TRL	65	-	120	65.1	28	25.4	39.7	12	8.5	49.2	34.4	1.86
UC213-40TRL	-	2 1/2	4.724	2.563	1.102	1	1.563	0.472	0.335	49.2	34.4	4.1
UC214TRL	70	-	125	74.6	30	30.2	44.4	12	8.9	53.5	37.8	2.05