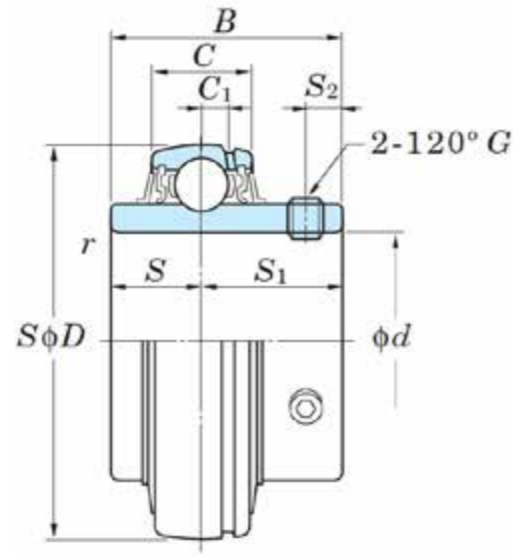
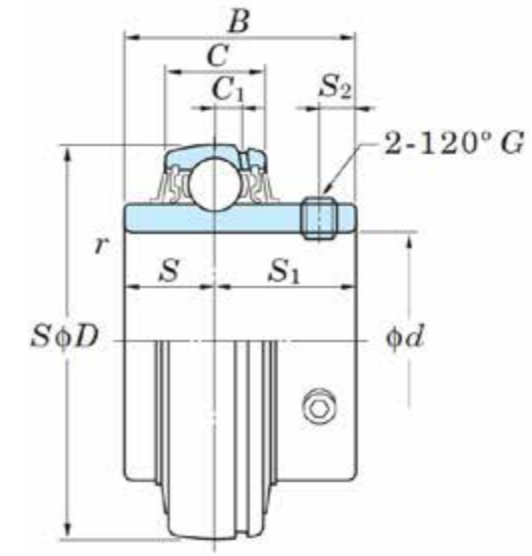


UC200 Triple Lip Series



UC

UC200 Triple Lip Series



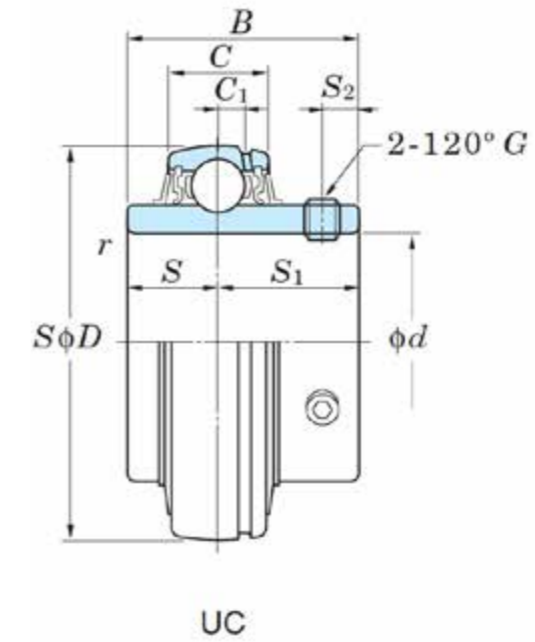
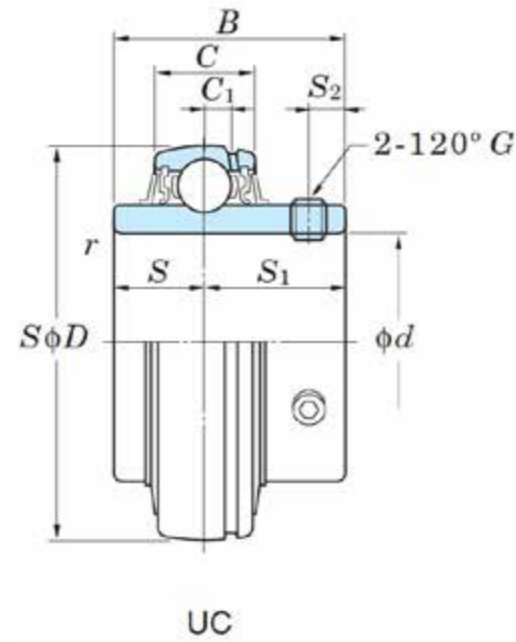
UC

Shaft Dia		Dimensions								Basic Load ratingskN		Factor	Bearing No.	Dimensions								Set Screw Brg. Bore		Mass kg
mm	inch	D		B		C		r (min.)		Cr	CO _r	f 0	L2 & L3 Type	C1		S		S1		S2		G		
d		mm	inch	mm	inch	mm	inch	mm	inch					mm	inch	mm	inch	mm	inch	mm	inch	mm	inch	
	3/4	47	1.85	31	1.22	16	0.63	1	0.039	12.8	6.65	13.2	UC204-12L2	4	0.157	12.7	0.5	18.3	0.72	5	0.197	-	1/4-28UNF	0.16
20		47	1.85	31	1.22	16	0.63	1	0.039	12.8	6.65	13.2	UC204L2	4	0.157	12.7	0.5	18.3	0.72	5	0.197	M6x0.75	-	0.16
	1	52	2.047	34.1	1.343	17	0.669	1	0.039	14	7.85	13.9	UC205-16L2	5	0.197	14.3	0.563	19.8	0.78	5.5	0.217	-	1/4-28UNF	0.2
25		52	2.047	34.1	1.343	17	0.669	1	0.039	14	7.85	13.9	UC205L2	5	0.197	14.3	0.563	19.8	0.78	5.5	0.217	M6x0.75	-	0.2
	1 1/4	62	2.441	38.1	1.5	19	0.748	1	0.039	19.5	11.3	13.9	UC206-20L3	5	0.197	15.9	0.626	22.2	0.874	6	0.236	-	1/4-28UNF	0.3
30		62	2.441	38.1	1.5	19	0.748	1	0.039	19.5	11.3	13.9	UC206L3	5	0.197	15.9	0.626	22.2	0.874	6	0.236	M6x0.75	-	0.32
	1 1/4	72	2.835	42.9	1.689	20	0.787	1.1	0.043	25.7	15.4	13.9	UC207-20L3	5.5	0.217	17.5	0.689	25.4	1	6.5	0.256	-	5/16-24UNF	0.54
	1 3/8	72	2.835	42.9	1.689	20	0.787	1.1	0.043	25.7	15.4	13.9	UC207-22L3	2.5	0.217	17.5	0.689	25.4	1	6.5	0.256	-	5/16-24UNF	0.50
	1 7/16	72	2.835	42.9	1.689	20	0.787	1.1	0.043	25.7	15.4	13.9	UC207-23L3	5.5	0.217	17.5	0.689	25.4	1	6.5	0.256	-	5/16-24UNF	0.45
35		72	2.835	42.9	1.689	20	0.787	1.1	0.043	25.7	15.4	13.9	UC207L3	5.5	0.217	17.5	0.689	25.4	1	6.5	0.256	M8x1	-	0.48
	1 1/2	80	3.15	49.2	1.937	21	0.827	1.1	0.043	29.1	17.8	14	UC208-24L3	6	0.236	19	0.748	30.2	1.189	8	0.315	-	5/16-24UNF	0.68
40		80	3.15	49.2	1.937	21	0.827	1.1	0.043	29.1	17.8	14	UC208L3	6	0.236	19	0.748	30.2	1.189	8	0.315	M8x1	-	0.64
	1 3/4	85	3.346	49.2	1.937	22	0.866	1.1	0.043	34.1	21.3	14	UC209-28L3	6	0.236	19	0.748	30.2	1.189	8	0.315	-	5/16-24UNF	0.7
45		85	3.346	49.2	1.937	22	0.866	1.1	0.043	34.1	21.3	14	UC209L3	6	0.236	19	0.748	30.2	1.189	8	0.315	M8x1	-	0.68
	1 7/8	90	3.543	51.6	2.031	24	0.945	1.1	0.043	35.1	23.3	14.4	UC210-30L3	6	0.236	19	0.748	32.6	1.283	9	0.354	-	3/8-24UNF	0.87
50		90	3.543	51.6	2.031	24	0.945	1.1	0.043	35.1	23.3	14.4	UC210L3	6	0.236	19	0.748	32.6	1.283	9	0.354	M10x1.25	-	0.8
	2	100	3.937	55.6	2.189	25	0.984	1.5	0.059	43.4	29.4	14.4	UC211-32L3	7	0.276	22.2	0.874	33.4	1.315	9	0.354	-	3/8-24UNF	1.26
55		100	3.937	55.6	2.189	25	0.984	1.5	0.059	43.4	29.4	14.4	UC211L3	7	0.276	22.2	0.874	33.4	1.315	9	0.354	M10x1.25	-	1.11
-	2 1/2	120	4.724	65.1	2.563	28	1.102	1.5	0.059	57.2	40.1	14.4	UC213-40L3	7.5	0.295	25.4	1.000	39.7	1.563	12	0.472	-	1/2-20UNF	1.94
65		120	4.724	65.1	2.563	28	1.102	1.5	0.059	57.2	40.1	14.4	UC213L3	7.5	0.295	25.4	1.000	29.7	1.563	12	0.472	M12x1.5	-	1.86
-	2 3/4	125	4.921	74.6	2.937	30	1.181	1.5	0.059	62.2	44.1	14.5	UC214-44L3	9	0.354	30.2	1.189	44.4	1.748	12	0.472	-	1/2-20UNF	2.06
70		125	4.921	74.6	2.937	30	1.181	1.5	0.059	62.2	44.1	14.5	UC214L3	9	0.35	30.2	1.189	44.4	1.748	12	0.472	M12x1.5	-	2.05
-	2 15/16	130	5.118	77.8	3.063	32	1.260	1.5	0.059	67.4	48.3	14.5	UC215-47L3	9	0.354	33.3	1.311	44.5	1.752	12	0.472	-	1/2-20UNF	2.23
-	3	130	5.118	77.8	3.063	32	1.260	1.5	0.059	67.4	48.3	14.5	UC215-48L3	9	0.354	33.3	1.311	44.5	1.752	12	0.472	-	1/2-20UNF	2.12

Note: L2 = Double Lip, L3 = Triple Lip

UC200 Triple Lip Series

UC200 Triple Lip Series



Shaft Dia		Dimensions								Basic Load ratingskN		Factor	Bearing No.	Dimensions								Set Screw Brg. Bore		Mass kg
mm	inch	D		B		C		r (min.)		Cr	CO _r	f ₀	L2 & L3 Type	C1		S		S1		S2		G		
d		mm	inch	mm	inch	mm	inch	mm	inch					mm	inch	mm	inch	mm	inch	mm	inch	mm	inch	
75	-	130	5.118	77.8	3.063	32	1.260	1.5	0.059	67.4	48.3	14.5	UC215L3	9	0.354	33.3	1.311	44.5	1.752	12	0.472	M12x1.5	-	2.21
-	3 1/8	140	5.512	82.6	3.252	33	1.299	2	0.079	72.7	53.0	14.6	UC216-50L3	9	0.354	33.3	1.311	49.3	1.941	14	0.551	-	1/2-20UNF	2.84
80	-	140	5.512	82.6	3.252	33	1.299	2	0.079	72.7	53.0	14.6	UC216L3	9	0.354	33.3	1.311	49.3	1.941	14	0.551	M12x15	-	2.79
-	3 1/4	150	5.906	85.7	3.374	35	1.378	2	0.079	84	61.9	14.5	UC217-52L3	10	0.394	34.1	1.343	51.6	2.031	14	0.551	-	1/2-20UNF	3.66
85	-	150	5.906	85.7	3.374	35	1.378	2	0.079	84	61.9	14.5	UC217L3	10	0.394	34.1	1.343	51.6	2.031	14	0.551	M12x15	-	3.45
-	3 1/2	160	6.299	96	3.780	38	1.496	2	0.079	96.1	71.5	14.5	UC218-56L3	11	0.433	39.7	1.563	56.3	2.217	16	0.591	-	1/2-20UNF	4.46
90	-	160	6.299	96	3.780	38	1.496	2	0.079	96.1	71.5	14.5	UC218L3	11	0.433	39.7	1.563	56.3	2.217	15	0.591	M12x15	-	4.35

Note: L2 = Double Lip, L3 = Triple Lip