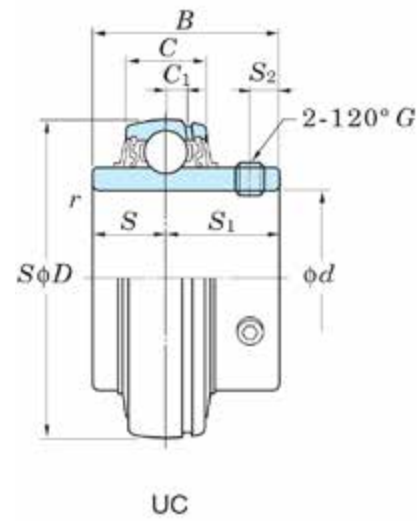
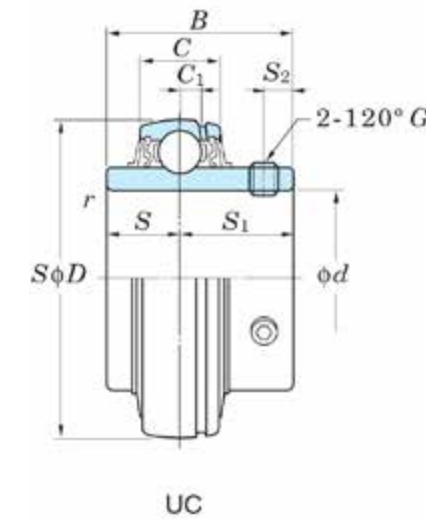


UC300 Series



UC300 Series



Shaft Dia		Dimensions								Basic Load ratingskN		Factor f 0	Bearing no.		Dimensions								Set Screw Brg. Bore	Mass kg
mm	inch	D		B		C		r (min.)		Cr	CO _r		Standard	L3 Type*	C1		S		S1		S2		G	
d		mm	inch	mm	inch	mm	inch	mm	inch						mm	inch	mm	inch	mm	inch	mm	inch	mm	
25	-	62	2.441	38	1.496	22	0.866	1.1	0.043	21.2	10.9	12.6	UC305	-	6	0.236	15	0.591	23	0.906	6	0.236	M6x0.75	0.45
30	-	72	2.835	43	1.693	24	0.945	1.1	0.043	26.7	15	13.3	UC306	-	6.5	0.256	17	0.669	26	1.024	6	0.236	M6x0.75	0.56
35	-	80	3.150	48	1.890	26	1.024	1.5	0.059	33.4	19.3	13.2	UC307	UC307L3	7.5	0.295	19	0.748	29	1.142	8	0.315	M8x1	0.71
-	1 1/2	90	3.543	52	2.047	28	1.102	1.5	0.059	40.7	24	13.2	UC308-24	UC308-24L3	8	0.315	19	0.748	33	1.299	10	0.394	M10x1.25	1.05
40	-	90	3.543	52	2.047	28	1.102	1.5	0.059	40.7	24	13.2	UC308	UC308L3	8	0.315	19	0.748	33	1.299	10	0.394	M10x1.25	1
-	1 3/4	100	3.937	57	2.244	30	1.181	1.5	0.059	48.9	29.5	13.3	UC309-28	UC309-28L3	8.5	0.335	22	0.866	35	1.378	10	0.394	M10x1.23	1.35
45	-	100	3.937	57	2.244	30	1.181	1.5	0.059	48.9	29.5	13.3	UC309	UC309L3	8.5	0.335	22	0.866	35	1.378	10	0.394	M10x1.25	1.33
-	1 7/8	110	4.331	61	2.402	32	1.26	2	0.079	62	38.3	13.3	UC310-30	UC210-30L3	9	0.354	22	0.866	39	1.535	12	0.472	M12x15	1.69
50	-	110	4.331	61	2.402	32	1.260	2	0.079	62	38.3	13.2	UC310	UC310L3	9	0.354	22	0.866	39	1.535	12	0.472	M12x15	1.69
-	2	120	4.724	66	2.598	34	1.339	2	0.079	71.6	45	13.2	UC311-32	UC311-32L3	10	0.394	25	0.984	41	1.614	12	0.472	M12x1.5	2.08
55	-	120	4.724	66	2.598	34	1.339	2	0.079	71.6	45	13.2	UC311	UC311L3	10	0.394	25	0.984	41	1.614	12	0.472	M12x1.5	1.9
-	2 1/4	130	5.118	91	2.795	36	1.417	2.1	0.083	81.9	52.2	13.2	UC312-36	UC312-36	11.5	0.453	26	1.024	45	1.772	12	0.472	M12x1.5	2.6
60	-	130	5.118	71	2.795	36	1.417	2.1	0.083	81.9	52.2	13.2	UC312	UC312L3	11.5	0.453	26	1.024	45	1.772	12	0.472	M12x1.5	2.6
-	2 1/2	140	5.512	75	2.953	38	1.496	2.1	0.083	92.7	59.9	13.2	UC313-40	UC313-40L3	12	0.472	30	1.181	45	1.772	12	0.472	M12x1.5	3.24
65	-	140	5.512	75	2.953	38	1.496	2.1	0.083	92.7	59.9	13.2	UC313	UC313L3	12	0.472	30	1.181	45	1.772	12	0.472	M12x1.5	3.16
-	2 3/4	150	5.906	78	3.071	40	1.575	2.1	0.083	104	68.2	13.2	UC314-44	UC314-44L3	12.5	0.492	33	1.299	45	1.772	12	0.472	M12x1.5	3.91
70	-	150	5.906	78	3.071	40	1.575	2.1	0.083	104	68.25	13.2	UC314	UC314L3	12.5	0.492	33	1.299	45	1.772	12	0.472	M12x1.5	3.9
-	3	160	6.299	82	3.228	42	1.654	2.1	0.083	113	77.2	13.2	UC315-48	UC315-48L3	14.5	0.571	32	1.260	50	1.969	14	0.551	M14x1.5	4.61
75	-	160	6.299	82	3.228	42	1.654	2.1	0.083	113	77.2	13.2	UC315	UC315L3	14.5	0.571	32	1.260	50	1.969	14	0.551	M14x1.5	4.7
80	-	170	6.693	86	3.386	44	1.732	2.1	0.083	123	86.7	13.3	UC316	UC316L3	15	0.591	34	1.339	52	2.047	14	0.551	M14x1.5	5.6
85	-	180	7.087	96	3.780	46	1.811	3	0.118	133	96.8	13.3	UC317	UC317L3	15	0.591	40	1.575	56	2.205	16	0.630	M16x1.5	6.9
-	3 1/2	190	7.480	96	3.780	48	1.890	3	0.118	143	107	13.3	UC318-56	UC318-56L3	15.5	0.610	40	1.575	56	2.205	16	0.630	M16x1.5	8.03
90	-	190	7.480	96	3.780	48	1.890	3	0.118	143	107	13.3	UC318	UC318L3	15.5	0.610	40	1.575	56	2.205	16	0.630	M16x1.5	7.87
-	4	215	8.465	108	4.252	54	2.126	3	0.118	173	141	13.2	UC320-64	UC320-64L3	18	0.709	42	1.654	66	2.598	20	0.787	M18x1.5	11
100	-	215	8.465	108	4.252	54	2.126	3	0.118	173	141	13.2	UC320	UC320L3	18	0.709	42	1.654	66	2.598	20	0.787	M18x1.5	11.2
110	-	240	9.449	117	4.606	60	2.362	3	0.118	205	180	13.2	UC322	UC322L3	20	0.787	46	1.811	71	2.795	20	0.787	M18x1.5	15.1
120	-	260	10.236	126	4.961	64	2.520	3	0.118	207	185	13.5	UC324	UC324L3	21	0.827	51	2.008	75	2.953	20	0.787	M18x1.5	19
130	-	280	11.024	135	5.315	68	2.677	4	0.157	229	214	13.6	UC326	UC326L3	22	0.866	54	2.126	81	3.189	20	0.787	M20x1.5	23.6
140	-	300	11.811	145	5.709	72	2.835	4	0.157	253	246	13.6	UC328	UC328L3	23	0.906	59	2.323	86	3.386	20	0.787	M20x1.5	29.4

* Not a stocked range although available on request.

Note: L2 = Double Lip, L3 = Triple Lip