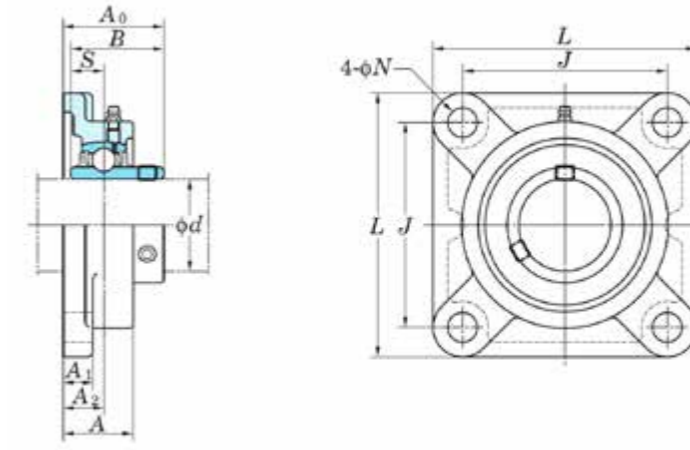
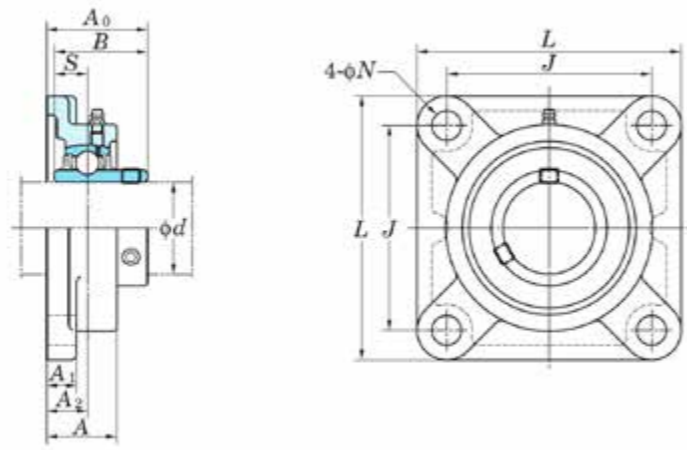


F200 Series

F200 Series



Housing Number	Dimensions								Dimensions								Bolt Size			
	L		A		J		N		A1		A2		A0		B				S	
	mm	inch	mm	inch	mm	inch	mm	inch	mm	inch	mm	inch	mm	inch	mm	inch	mm	inch	mm	inch
F204	86	3.375	25.2	1	64	2.516	12	0.469	11	0.438	15	0.594	33.3	1.313	31	1.22	12.7	0.5	M10	0.375
F205	95	3.75	27	1.063	70	2.75	12	0.469	13	0.5	16	0.625	35.8	1.406	34.1	1.343	14.3	0.563	M10	0.375
F206	108	4.25	31	1.219	83	3.266	12	0.469	13	0.5	18	0.703	40.2	1.594	38.1	1.5	15.9	0.626	M10	0.375
F207	117	4.594	34	1.344	92	3.625	14	0.547	15	0.594	19	0.75	44.4	1.75	42.9	1.689	17.5	0.689	M12	0.438
F208	130	5.125	36	1.406	102	4.016	16	0.625	15	0.594	21	0.828	51.2	2.031	49.2	1.937	19	0.748	M14	0.5
F209	137	5.406	38	1.5	105	4.141	16	0.625	16	0.625	22	0.859	52.2	2.063	49.2	1.937	19	0.784	M14	0.5
F210	143	5.625	40	1.563	111	4.375	16	0.625	16	0.625	22	0.859	54.6	2.156	51.6	2.031	19	0.748	M14	0.5
F211	162	6.375	43	1.688	130	5.125	19	0.75	18	0.719	25	0.985	58.4	2.313	55.6	2.189	22.2	0.874	M16	0.625
F212	175	6.875	48	1.875	143	5.625	19	0.75	18	0.719	29	1.141	68.7	2.719	65.1	2.563	25.4	1	M16	0.625
F213	187	7.375	50	1.969	149	5.859	19	0.75	22	0.875	30	1.188	69.7	2.75	65.1	2.563	25.4	1	M16	0.625
F214	193	7.594	54	2.125	152	5.984	19	0.75	22	0.875	31	1.219	75.4	2.969	74.6	2.937	30.2	1.189	M16	0.625
F215	200	7.875	56	2.219	159	6.266	19	0.75	22	0.875	34	1.344	78.5	3.094	77.8	3.063	33.3	1.311	M16	0.625
F216	208	8.188	58	2.281	165	6.5	23	0.906	22	0.875	34	1.344	83.3	3.281	82.6	3.252	33.3	1.311	M20	0.75
F217	220	8.656	63	2.469	175	6.891	23	0.906	24	0.938	36	1.406	87.6	3.438	85.7	3.374	34.1	1.343	M20	0.75
F218	235	9.25	68	2.688	187	7.359	23	0.906	25	0.969	40	1.563	96.3	3.781	96	3.78	39.7	1.563	M20	0.75