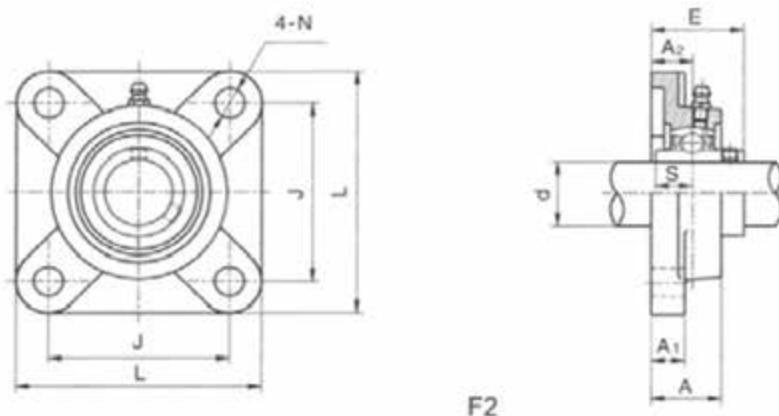


F200 Series (Light Duty)

4-Bolt Flanged Square Housing



F2

| Part No. | Dimensions (mm) | | | | | | | | | N.W. (kg) |
|----------|-----------------|-----|-----|----|----|------|----|------|------|--------------|
| | d | L | J | A2 | A1 | A | N | E | S | |
| F204 | 20 | 86 | 64 | 15 | 11 | 25.5 | 12 | 33.3 | 12.7 | 0.32 |
| F205 | 25 | 95 | 70 | 16 | 13 | 27 | 12 | 35.8 | 14.3 | 0.43 |
| F206 | 30 | 108 | 83 | 18 | 13 | 31 | 12 | 40.2 | 15.9 | 0.57 |
| F207 | 35 | 117 | 92 | 19 | 15 | 34 | 14 | 44.4 | 17.5 | 0.67 |
| F208 | 40 | 130 | 102 | 21 | 15 | 36 | 16 | 51.2 | 19 | 0.86 |
| F209 | 45 | 137 | 105 | 22 | 16 | 38 | 16 | 52.2 | 19 | 1.03 |
| F210 | 50 | 143 | 111 | 22 | 16 | 40 | 16 | 54.6 | 19 | 1.15 |
| F211 | 55 | 162 | 130 | 25 | 18 | 43 | 19 | 58.4 | 22.2 | 1.6 |
| F212 | 60 | 175 | 143 | 29 | 18 | 48 | 19 | 68.7 | 25.4 | 1.85 |
| F213 | 65 | 187 | 149 | 30 | 22 | 50 | 19 | 69.7 | 25.4 | 2.42 |
| F214 | 70 | 193 | 152 | 31 | 22 | 54 | 19 | 75.4 | 30.2 | 2.71 |
| F215 | 75 | 200 | 159 | 34 | 22 | 56 | 19 | 78.5 | 33.3 | 3.11 |
| F216 | 80 | 208 | 165 | 34 | 22 | 58 | 23 | 83.3 | 33.3 | 3.57 |
| F217 | 85 | 220 | 175 | 36 | 24 | 63 | 23 | 87.6 | 34.1 | 4.06 |
| F218 | 90 | 235 | 187 | 40 | 24 | 68 | 23 | 96.3 | 39.7 | 4.73 |