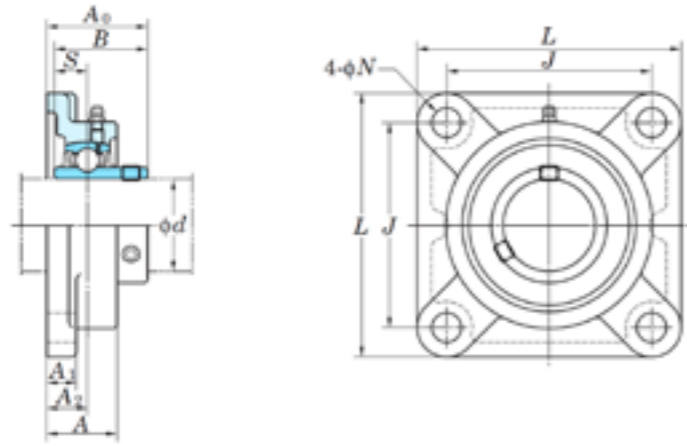
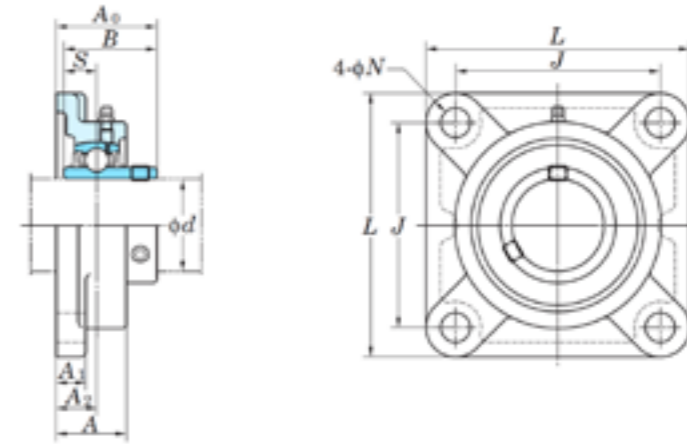


F300 Series



F300 Series



Housing Number	Dimensions								Dimensions										Bolt Size	
	L		A		J		N		A1		A2		A0		B		S		mm	inch
	mm	inch	mm	inch	mm	inch	mm	inch	mm	inch	mm	inch	mm	inch	mm	inch	mm	inch		
F305	110	4 11/32	20	1 5/32	80	3 5/32	16	5/8	13	1/2	16	5/8	39	1 17/32	38	1.496	15	0.591	M14	1/2
F306	125	4 29/32	32	1 1/4	95	3 47/64	16	5/8	15	19/32	18	45/64	44	1 23/32	43	1.693	17	0.669	M14	1/2
F307	135	5 5/16	36	1 13/32	100	3 15/16	19	3/4	16	5/8	20	23/32	49	1 15/16	48	1.89	19	0.748	M16	5/8
F308	150	5 29/32	40	1 9/16	112	4 13/32	19	3/4	17	21/32	23	29/32	56	2 7/32	52	2.047	19	0.748	M16	5/8
F309	160	6 5/16	44	1 23/32	125	4 59/64	19	3/4	18	23/32	25	63/64	60	2 3/8	57	2.244	22	0.866	M16	5/8
F310	175	6 7/8	48	1 7/8	132	5 13/64	23	29/32	19	3/4	28	1 7/64	67	2 5/8	61	2.402	22	0.866	M20	3/4
F311	185	7 9/32	52	2 1/16	140	5 33/64	23	29/32	20	25/32	30	1 3/16	71	2 25/32	66	2.598	25	0.984	M20	3/4
F312	195	7 11/16	56	2 7/32	150	5 29/32	23	29/32	22	7/8	33	1 19/64	78	3 1/16	71	2.795	26	1.024	M20	3/4
F313	208	8 3/16	58	2 9/32	166	6 17/32	23	29/32	22	7/8	33	1 19/64	78	3 1/16	75	2.953	30	1.181	M20	3/4
F314	226	8 29/32	61	2 13/32	178	7 1/64	25	63/64	25	31/32	36	1 1/2	81	3 3/16	78	3.071	33	1.299	M22	7/8
F315	236	9 9/32	66	2 19/32	184	7 1/4	25	63/64	25	31/32	39	1 17/32	89	3 1/2	82	3.228	32	1.26	M22	7/8
F316	250	9 27/32	68	2 11/16	196	7 23/32	31	1 7/32	27	1 1/16	38	1 1/2	90	3 17/32	86	3.386	34	1.339	M27	1
F317	260	10 1/4	74	2 29/32	204	8 1/32	31	1 7/32	27	1 1/16	44	1 47/64	100	3 15/16	96	3.78	40	1.575	M27	1
F318	280	11 1/32	76	3	216	8 1/2	35	1 3/8	30	1 3/16	44	1 47/64	100	3 15/16	96	3.78	40	1.575	M30	1 1/8
F320	310	12 7/32	94	3 11/16	242	9 17/32	38	1 1/2	32	1 1/4	59	2 21/64	125	4 29/32	108	4.252	42	1.654	M33	1 1/4
F322	340	13 3/8	96	3 25/32	266	10 15/32	41	1 39/64	35	1 3/8	60	2 23/64	131	5 5/32	117	4.606	46	1.811	M36	1 3/8
F332	370	14 9/16	110	4 11/32	290	11 27/64	41	1 39/64	40	1 9/16	65	2 9/16	140	5 1/2	126	4.916	51	2.008	M36	1 3/8
F326	410	16 5/32	115	4 17/32	320	12 19/32	41	1 39/64	45	1 25/32	65	2 9/16	146	5 3/4	135	5.135	54	2.126	M36	1 3/8
F328	450	17 23/32	125	4 29/32	350	13 25/32	41	1 39/64	55	2 5/32	75	2 61/64	161	6 11/32	145	5.709	59	2.323	M36	1 3/8