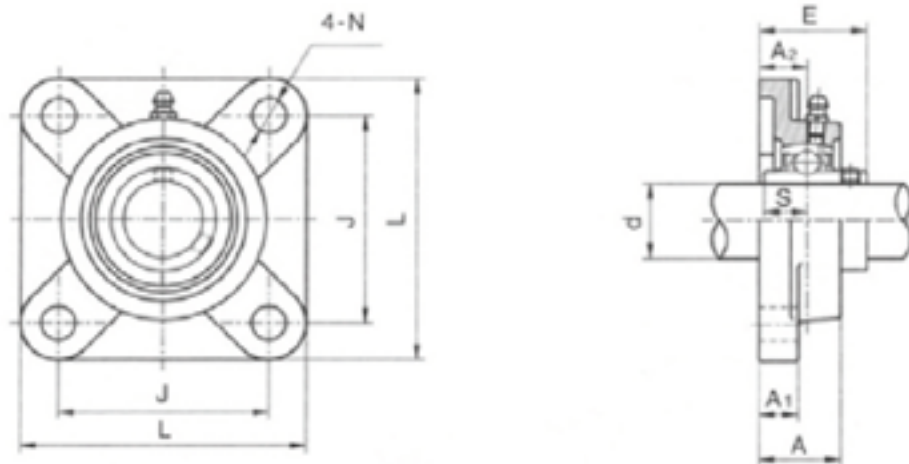


F300 Series (Heavy Duty)

4-Bolt Flanged Square Housing



Part No.	Dimensions (mm)									Mass (kg)
	d	L	J	A2	A1	A	E	N	S1	
F305	20	108	80	16	13	29	37.5	16	21.5	1.09
F306	25	125	95	18	15	32	41	16	23	1.65
F307	30	135	100	20	16	36	45.5	19	25.5	2.00
F308	35	150	112	23	17	40	50.5	19	27.5	2.77
F309	40	160	125	25	18	44	55	19	30	3.40
F310	45	175	132	28	20	48	60	23	32	4.35
F311	50	185	140	30	20	52	63.5	23	33.5	5.30
F312	55	193	150	33	22	56	69.5	23	36.5	6.26
F313	60	208	166	33	22	58	71.5	23	38.5	7.61
F314	61	226	-	-	-	-	-	-	-	6.27
F315	65	236	185	39	25	66	81.5	25	42.5	10.80
F316	70	250	196	38	27	68	82.5	31	44.5	12.70
F317	75	260	204	44	27	74	92	31	48	15.3
F318	80	280	216	44	30	76	92	35	48	17.7