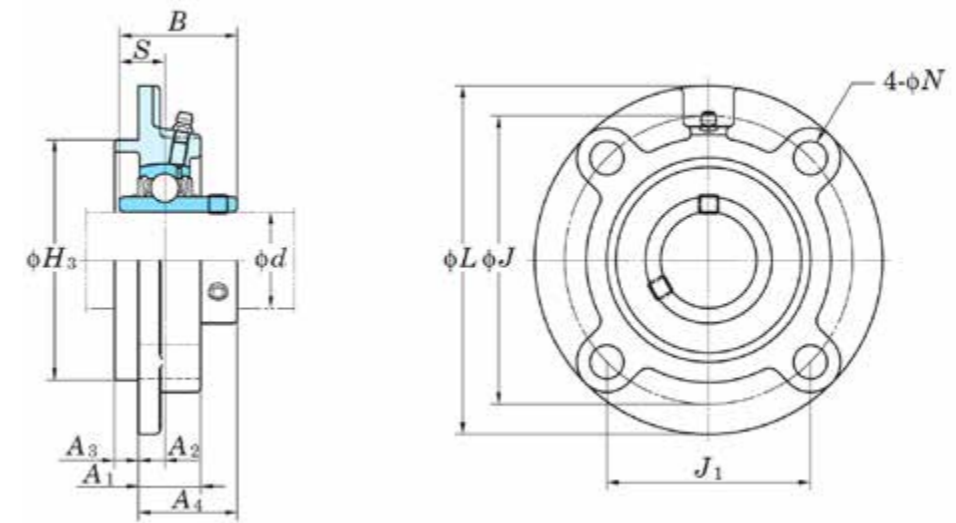
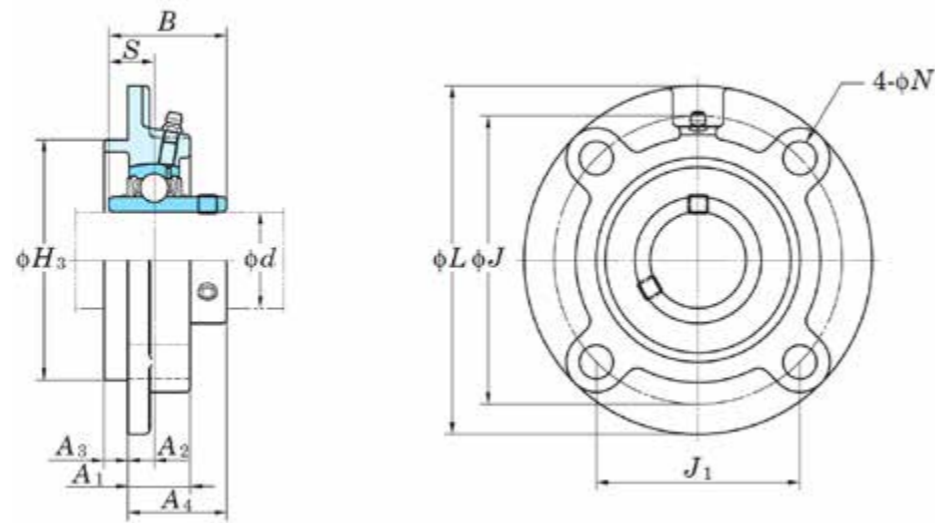


FC200 Series

FC200 Series



Housing Number	Dimensions										Dimensions										Bolt Size			
	L		H3		J		J1		N		A1		A2		A3		A4		B				S	
	mm	inch	mm	inch	mm	inch	mm	inch	mm	inch	mm	inch	mm	inch	mm	inch	mm	inch	mm	inch	mm	inch	mm	inch
FC204	100	3.953	62	2.441	78	3.078	55.1	2.688	12	0.469	20.5	0.813	10	0.391	5	0.203	28.3	1.125	31	1.22	12.7	0.5	M10	0.375
FC205	115	4.531	70	2.756	90	3.547	63.6	2.5	12	0.469	21	0.813	10	0.391	6	0.234	29.8	1.188	34.1	1.343	14.3	0.563	M10	0.375
FC206	125	4.906	80	3.150	100	3.938	70.7	2.781	12	0.469	23	0.906	10	0.391	8	0.313	32.2	1.281	38.1	1.5	15.9	0.626	M10	0.375
FC207	135	5.313	90	3.543	110	4.328	77.8	3.063	14	0.547	26	1.031	11	0.438	8	0.313	36.4	1.438	42.9	1.689	17.5	0.689	M12	0.438
FC208	145	5.719	100	3.937	120	4.719	84.8	3.344	14	0.547	26	1.031	11	0.438	10	0.391	41.2	1.625	49.2	1.937	19	0.748	M12	0.438
FC209	160	6.313	105	4.134	132	5.203	93.3	3.672	16	0.625	26	1.031	10	0.391	12	0.469	40.2	1.594	49.2	1.937	19	0.748	M14	0.5
FC210	165	6.5	110	4.331	138	5.438	97.6	3.844	16	0.625	28	1.094	10	0.391	12	0.469	42.6	1.688	51.6	2.031	19	0.748	M14	0.5
FC211	185	7.281	125	4.921	150	5.906	106.1	4.172	19	0.75	31	1.219	13	0.516	12	0.469	46.4	1.813	55.6	2.189	22.2	0.874	M16	0.625
FC212	195	7.688	135	5.315	160	6.297	113.1	4.453	19	0.75	36	1.406	17	0.672	12	0.469	56.7	2.219	65.1	2.563	25.4	1	M16	0.625
FC213	205	8.063	145	5.709	170	6.688	120.2	4.734	19	0.75	36	1.406	16	0.625	14	0.547	55.7	2.188	65.1	2.563	25.4	1	M16	0.625
FC214	215	8.469	150	5.906	177	6.969	125.1	4.922	19	0.75	40	1.563	17	0.672	14	0.547	61.4	2.406	74.6	2.937	30.2	1.189	M16	0.625
FC215	220	8.656	160	6.299	184	7.25	130.1	5.125	19	0.75	40	1.563	18	0.703	16	0.625	62.5	2.469	77.8	3.063	33.3	1.331	M16	0.625
FC216	240	9.438	170	6.693	200	7.875	141.4	5.563	23	0.906	42	1.969	18	0.703	16	0.625	67.3	2.656	82.6	3.252	33.3	1.311	M20	0.75
FC217	250	9.844	180	7.087	208	8.188	147.1	5.797	23	0.906	45	1.781	18	0.703	18	0.703	69.6	2.75	85.7	3.374	34.1	1.343	M20	0.75
FC218	265	10.438	190	7.480	220	8.656	155.5	6.125	23	0.906	50	1.969	22	0.859	18	0.703	78.3	3.094	96	3.78	39.7	1.563	M20	0.75