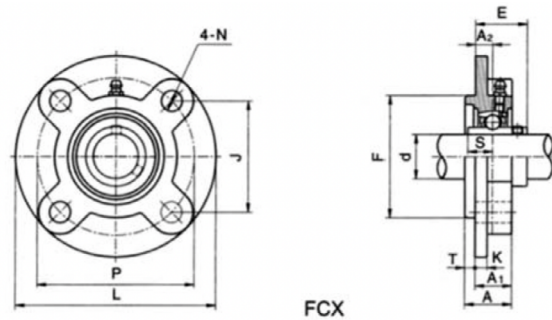


## FCX00 Series (Medium Duty)

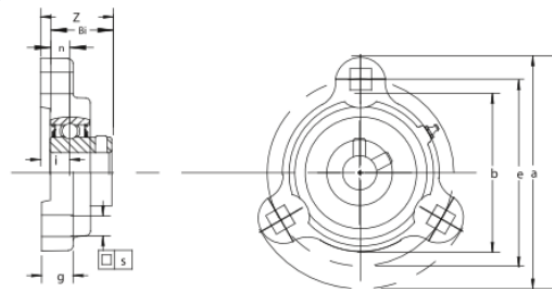
4-Bolt Round Flanged Cartridge Housing



Part No.	Dimensions (mm)												
	d	L	P	J	A2	A1	A	T	K	F	N	E	S
FCX05	25	111	92	65.0	10	24	30	6.0	9.5	76	9.5	32.2	15.9
FCX06	30	127	105	74.2	8.5	22.5	32	9.5	9.5	85	12.0	33.4	17.5
FCX07	35	133	111	78.5	9	26	37	11.0	11.0	92	12.0	39.2	19.0
FCX08	40	133	111	78.5	9	26	37	11.0	11.0	92	12.0	39.2	19.0
FCX09	45	155	130	91.9	8	25	37	12.0	11.0	108	14.0	40.6	19.0
FCX10	50	162	136	96.2	7	25	41	16.0	11.0	118	14.0	40.4	22.2
FCX11	55	180	152	107.5	4	26	48	22.0	13.0	127	16.0	43.7	25.4
FCX12	60	194	165	116.7	11	33	50.7	20	14	140	16	50.7	25.4
FCX13	65	194	165	117	11	33	55.4	20	14	140	16	74.6	30.2
FCX14	70	222	190	134	14	36	58.5	20	14	164	19	77.8	33.3
FCX15	75	222	190	134	12	35	61.3	22	16	164	19	82.6	33.3
FCX16	80	260	219	155	10	36	61.6	25	19	186	23	58.7	34.1
FCX17	85	260	219	155	10	36	66.3	25	19	186	23	96	39.7
FCX18	90	260	219	155	12	43	73.1	28	19	186	23	104	42.9
FCX20	100	276	238	168	22	66	90.3	28	22	206	23	118	49.2

## FCT200 Series

3-Bolt Round Flange Cartridge Housing Triangular



Part No.	Dimensions (mm)										Housing Wt (kg)
	a	e	i	g	l	s	b	z	Bi	n	
FCT203	81	63.5	10.7	10.7	17.5	7.2	-	28.6	-	6.0	-
FCT204	90.4	71.4	11	10	20	8.7	62	29	25	7	0.2
FCT205	95.2	76.2	10.3	12	20	8.7	72	29.8	27	7.5	0.2
FCT206	112.5	90.5	12	12	22	10.3	84	34	30	8	0.3
FCT207	122	100	11.6	12.7	23	10.3	88	35.1	32	8.5	0.5

NB. Finer Power Transmissions P/L is transitioning into NBR Bearings. Unless NBR Bearings are specifically requested, any remaining PFB/TNC stock will be supplied.

Every effort has been taken to ensure that the data listed in this catalogue is correct. Finer Power Transmissions P/L will not accept liability for any damage or loss caused as a result of the data in this catalogue.