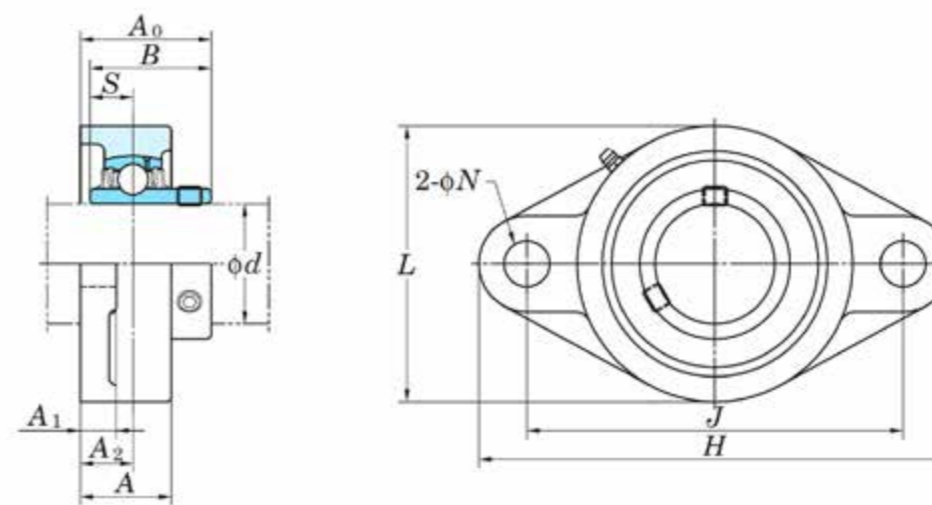
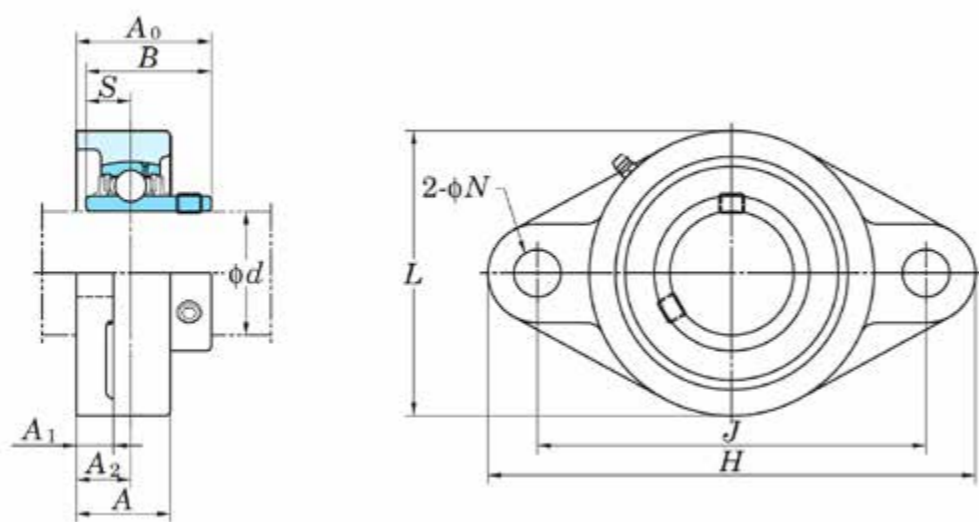


FL200 Series

FL200 Series



Housing Number	Dimensions										Dimensions										Bolt Size	
	H		L		A		J		N		A1		A2		A0		B		S			
	mm	inch	mm	inch	mm	inch	mm	inch	mm	inch	mm	inch	mm	inch	mm	inch	mm	inch	mm	inch	mm	inch
FL203	113	4.438	60	2.375	25.5	1	90	3.567	12	0.459	11	0.438	15	0.594	33.3	1.313	31	1.22	12.7	0.5	M10	0.375
FL204	113	4.438	60	2.375	25.5	1	90	3.567	12	0.459	11	0.438	15	0.594	33.3	1.313	31	1.22	12.7	0.5	M10	0.375
FL205	130	5.125	68	2.688	27	1.063	99	3.891	16	0.625	13	0.5	16	0.625	35.8	1.406	34.1	1.343	14.3	0.563	M14	0.5
FL206	148	5.813	80	3.156	31	1.219	117	4.609	16	0.625	13	0.5	18	0.703	40.2	1.594	38.1	1.5	15.9	0.626	M14	0.5
FL207	161	6.344	90	3.531	34	1.344	130	5.125	16	0.625	14	0.563	19	0.75	44.4	1.75	42.9	1.689	17.5	0.689	M14	0.5
FL208	175	6.875	100	3.938	36	1.406	144	5.672	16	0.625	14	0.563	21	0.828	51.2	2.031	49.2	1.937	19	0.748	M14	0.5
FL209	188	7.406	108	4.25	38	1.5	148	5.828	19	0.75	15	0.594	22	0.859	52.2	2.063	49.2	1.937	19	0.748	M16	0.625
FL210	197	7.75	115	4.531	40	1.563	157	6.188	19	0.75	15	0.594	22	0.859	54.6	2.156	51.6	2.031	19	0.748	M16	0.625
FL211	224	8.813	130	5.125	43	1.688	184	7.25	19	0.75	18	0.719	25	0.984	58.4	2.313	55.6	2.189	22.2	0.874	M16	0.625
FL212	250	9.844	140	5.5	48	1.875	202	7.953	23	0.906	18	0.719	29	1.141	68.7	2.719	65.1	2.563	25.4	1	M20	0.75
FL213	258	10.156	155	6.094	50	1.969	210	8.266	23	0.906	20	0.781	30	1.188	69.7	2.75	65.1	2.563	25.4	1	M20	0.75
FL214	265	10.438	160	6.313	54	2.125	216	8.5	23	0.906	20	0.781	31	1.219	75.4	2.969	74.6	2.937	30.2	1.189	M20	0.75
FL215	275	10.813	165	6.5	56	2.219	225	8.859	23	0.906	20	0.781	34	1.344	78.5	3.094	77.8	3.063	33.3	1.311	M20	0.75
FL216	290	11.406	180	7.094	58	2.281	233	9.172	25	0.984	20	0.781	34	1.344	83.3	3.281	82.6	3.252	33.3	1.311	M22	0.875
FL217	305	12	190	7.469	63	2.469	248	9.766	25	0.984	22	0.875	36	1.422	87.6	3.438	85.7	3.374	34.1	1.343	M22	0.875
FL218	320	12.594	205	8.063	68	2.688	265	10.438	25	0.984	23	0.906	40	1.578	96.3	3.781	96	3.78	39.7	1.563	M22	0.875