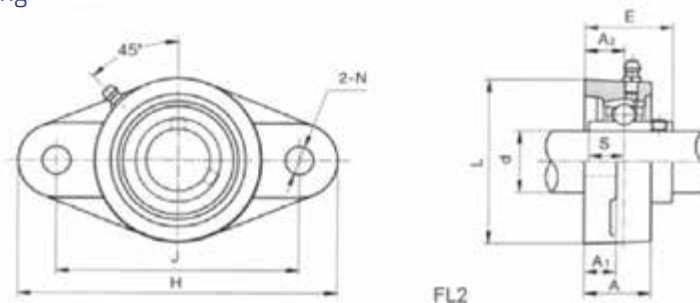


FL200 Series (Light Duty)

2-Bolt Flanged Oval Housing



Part No.	Dimensions (mm)											N.W. (kg)
	d	H	J	L	A2	A1	A	N	E	S	B	
FL204	20	113	90	60	15	11	25.5	12	33.3	12.7	0.25	0.57
FL205	25	130	99	68	16	13	27	16	35.8	14.3	0.3	0.4
FL205-12	25	130	99	68	16	13	27	12	35.8	14.3	0.3	0.49
FL206	30	148	117	80	18	13	31	16	40.2	15.9	0.43	0.7
FL206-12	30	148	117	80	18	13	31	12	40.2	15.9	0.43	0.88
FL207	35	161	130	90	19	15	34	16	44.4	17.5	0.51	1.05
FL208	40	175	144	100	21	15	36	16	51.2	19	0.67	1.24
FL209	45	188	148	108	22	16	38	19	52.2	19	0.81	1.6
FL210	50	197	157	115	22	16	40	19	54.6	19	0.94	1.91
FL211	55	224	184	130	25	18	43	19	58.4	22.2	1.39	2.5
FL212	60	250	202	140	29	18	48	23	68.7	25.4	1.72	3.08
FL213	65	258	210	155	30	22	50	23	69.7	25.4	2.17	3.4
FL214	70	265	216	160	31	22	54	23	75.4	30.2	2.49	3.79
FL215	75	275	225	165	34	22	56	23	78.5	33.3	2.8	4.37
FL216	80	290	233	180	34	22	58	25	83.3	33.3	3.43	5.53
FL217	85	305	248	190	36	24	63	25	87.6	34.1	4.04	6.3
FL218	90	320	265	205	40	24	68	25	96.3	39.7	4.55	7.3