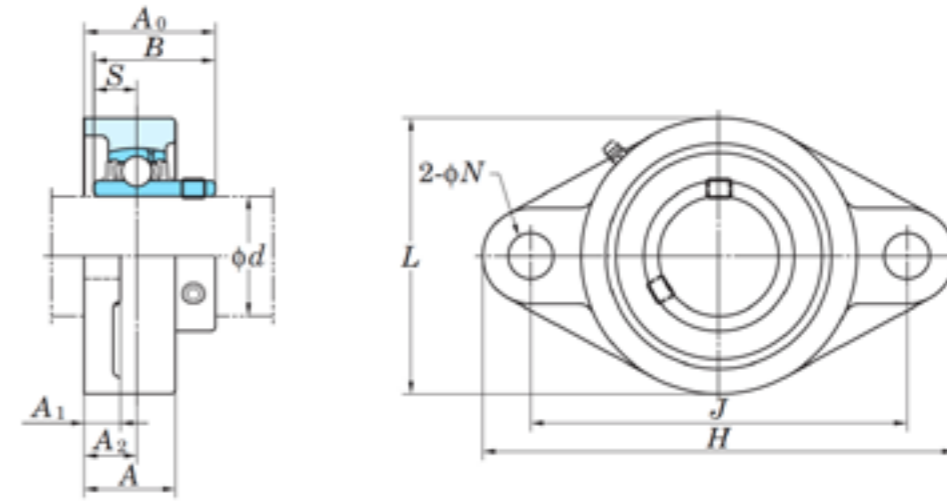
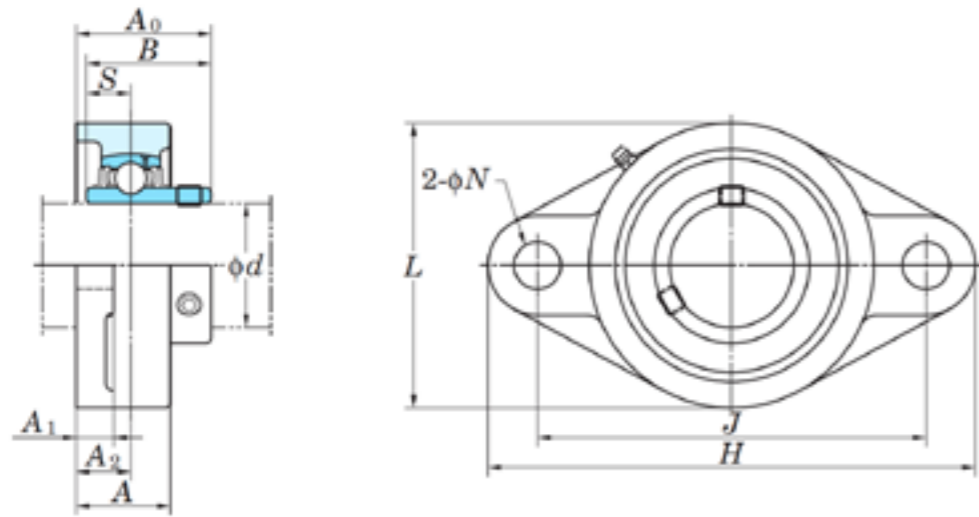


FL300 Series

FL300 Series



Housing Number	Dimensions										Dimensions										Bolt Size	
	H		L		A		J		N		A1		A2		A0		B		S			
	mm	inch	mm	inch	mm	inch	mm	inch	mm	inch	mm	inch	mm	inch	mm	inch	mm	inch	mm	inch	mm	inch
FL305	150	5 29/32	80	3 5/32	29	1 5/32	113	4 29/64	19	3/4	13	1/2	16	5/8	39	1 17/32	38	1.496	15	0.591	M16	5/8
FL306	180	7 3/32	90	3 17/32	32	1 1/4	134	5 9/32	23	29/32	15	19/32	18	45/64	44	1 23/32	43	1.693	17	0.669	M20	3/4
FL307	185	7 9/32	100	3 15/16	36	1 13/32	141	5 35/64	23	29/32	16	5/8	20	25/32	49	1 15/16	48	1.89	19	0.748	M20	3/4
FL308	200	7 7/8	112	4 13/32	40	1 9/16	158	6 7/32	23	29/32	17	21/32	23	29/32	56	2 7/32	52	2.047	19	0.748	M20	3/4
FL309	230	9 1/16	125	4 29/32	44	1 23/32	177	6 31/32	25	63/64	18	23/32	25	63/64	60	2 3/8	57	2.244	22	0.866	M22	7/8
FL310	240	9 7/16	140	5 1/2	48	1 7/8	187	7 23/64	25	63/64	19	3/4	28	1 7/64	67	2 5/8	61	2.402	22	0.866	M22	7/8
FL311	250	27/32	150	5 29/32	52	2 1/16	198	7 51/64	25	63/64	20	25/32	30	1 3/16	71	2 25/32	66	2.598	25	0.984	M22	7/8
FL312	270	10 5/8	160	6 5/16	56	2 7/32	212	8 11/32	31	1 7/32	22	7/8	33	1 19/64	78	3 1/16	71	2.795	26	1.024	M27	1
FL313	295	11 5/8	175	6 7/8	58	2 9/32	240	9 29/64	31	1 7/32	25	31/32	33	1 19/64	78	3 1/16	75	2.953	30	1.181	M27	1
FL314	315	12 13/32	185	7 9/32	61	2 13/32	250	9 27/32	35	1 3/8	28	1 3/32	36	1 27/64	81	3 3/16	78	3.071	33	1.299	M30	1 1/8
FL315	320	12 19/32	195	7 11/16	66	2 19/32	260	10 15/64	35	1 3/8	30	1 3/16	39	1 17/32	89	3 1/2	82	3.228	32	1.26	M30	1 1/8
FL316	335	13 31/32	210	8 9/32	68	2 11/16	285	11 7/32	38	1 1/2	32	1 1/4	38	1 1/2	90	3 17/32	86	3.386	43	1.33	M33	1 1/4
FL317	370	14 9/16	220	8 21/32	74	2 29/32	300	11 13/16	38	1 1/2	32	1 1/4	44	1 47/64	100	3 15/16	96	3.78	40	1.575	M33	1 1/4
FL318	385	15 5/32	235	9 1/4	76	3	315	12 13/32	38	1 1/2	36	1 13/32	44	1 47/64	100	3 15/16	96	3.78	40	1.575	M33	1 1/4
FL320	440	17 5/16	270	10 5/8	94	3 11/16	360	14 11/64	44	1 47/64	40	1 9/16	59	2 21/64	125	4 29/32	108	4.252	42	1.654	M39	1 1/2
FL322	470	18 1/2	300	11 13/16	96	3 25/32	390	15 23/64	44	1 47/64	42	1 21/32	60	2 23/64	131	5 5/32	117	4.606	46	1.811	M39	1 1/2
FL324	520	20 15/32	330	13	110	4 11/32	430	16 59/64	47	1 27/32	48	1 7/8	65	2 9/16	140	5 1/2	126	4.961	51	2.008	M42	1 5/8