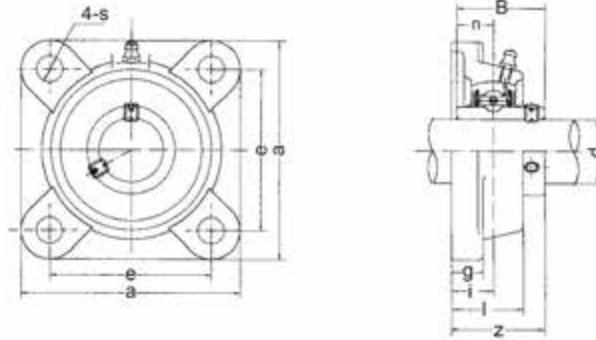


## FX00 Series (Medium Duty)

### 4-Bolt Flanged Square Housing



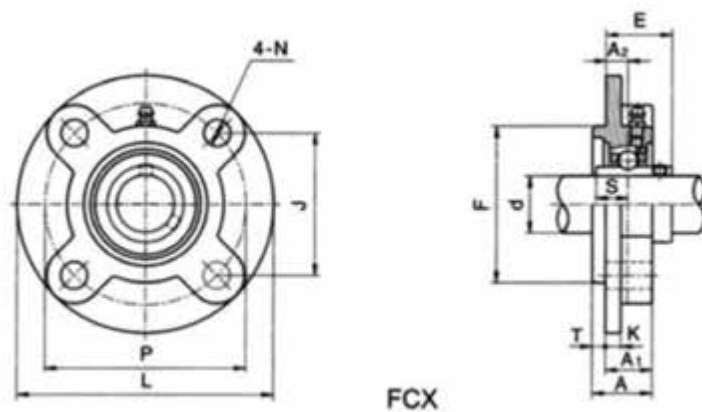
Part No.	Dimensions (mm)							
	a	e	i	g	l	z	s	n
FX05	108	83	18	13	30	40.2	12	15.9
FX06	117	92	19	14	34	44.4	16	17.5
FX07	130	102	21	14	38	51.2	16	19
FX08	137	102	22	14	40	52.2	19	19
FX09	143	111	23	14	40	55.6	19	19
FX10	162	130	26	20	44	59.4	19	22.2
FX11	175	143	29	20	49	68.7	19	25.4
FX12	187	149	34	21	59	73.7	19	25.4
FX13	187	149	34	21	59	78.4	19	30.2
FX14	197	152	37	24	60	81.5	20	33.3
FX15	197	152	40	24	68	89.3	20	33.3
FX16	214	171	40	24	70	91.6	20	34.1
FX17	214	171	40	24	70	96.3	20	39.7
FX18	214	171	45	24	76	106.1	23	42.9
FX20	268	211	59	31	97	127.3	31	49.2

NB. Finer Power Transmissions P/L is transitioning into NBR Bearings. Unless NBR Bearings are specifically requested, any remaining PFB/TNC stock will be supplied.

Every effort has been taken to ensure that the data listed in this catalogue is correct. Finer Power Transmissions P/L will not accept liability for any damage or loss caused as a result of the data in this catalogue.

## FCX00 Series (Medium Duty)

### 4-Bolt Round Flanged Cartridge Housing



Part No.	Dimensions (mm)												
	d	L	P	J	A2	A1	A	T	K	F	N	E	S
FCX05	25	111	92	65.0	10	24	30	6.0	9.5	76	9.5	32.2	15.9
FCX06	30	127	105	74.2	8.5	22.5	32	9.5	9.5	85	12.0	33.4	17.5
FCX07	35	133	111	78.5	9	26	37	11.0	11.0	92	12.0	39.2	19.0
FCX08	40	133	111	78.5	9	26	37	11.0	11.0	92	12.0	39.2	19.0
FCX09	45	155	130	91.9	8	25	37	12.0	11.0	108	14.0	40.6	19.0
FCX10	50	162	136	96.2	7	25	41	16.0	11.0	118	14.0	40.4	22.2
FCX11	55	180	152	107.5	4	26	48	22.0	13.0	127	16.0	43.7	25.4
FCX12	60	194	165	116.7	11	33	50.7	20	14	140	16	50.7	25.4
FCX13	65	194	165	117	11	33	55.4	20	14	140	16	74.6	30.2
FCX14	70	222	190	134	14	36	58.5	20	14	164	19	77.8	33.3
FCX15	75	222	196	134	12	35	61.3	22	16	164	19	82.6	33.3
FCX16	80	260	219	155	10	36	61.6	25	19	186	23	58.7	34.1
FCX17	85	260	219	155	10	36	66.3	25	19	186	23	96	39.7
FCX18	90	260	219	155	12	43	73.1	28	19	186	23	104	42.9
FCX20	100	276	238	168	22	66	90.3	28	22	206	23	118	49.2

NB. Finer Power Transmissions P/L is transitioning into NBR Bearings. Unless NBR Bearings are specifically requested, any remaining PFB/TNC stock will be supplied.