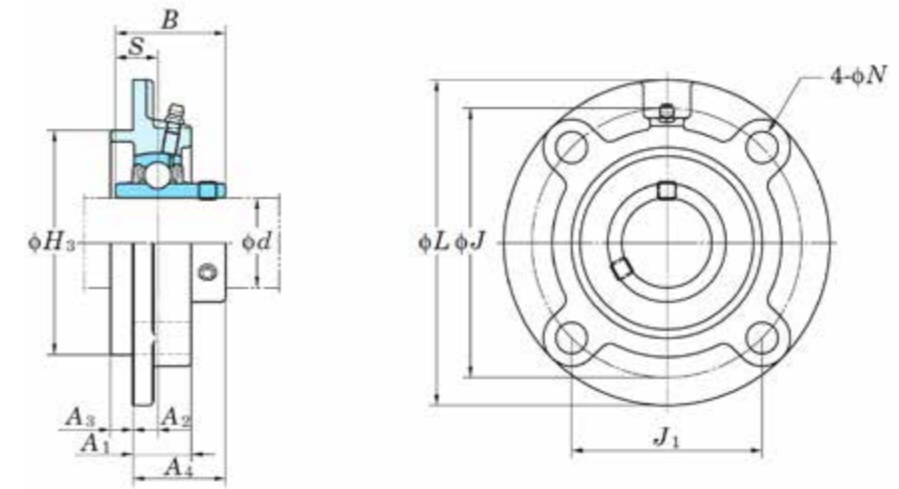
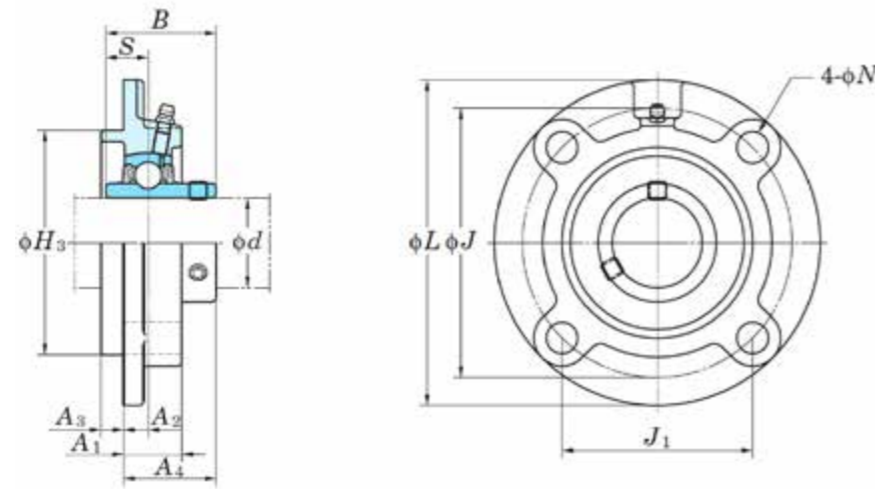


FCX00 Series

FCX00 Series



Housing Number	Dimensions										Dimensions										Bolt Size			
	L		H3		J		J1		N		A1		A2		A3		A4		B				S	
	mm	inch	mm	inch	mm	inch	mm	inch	mm	inch	mm	inch	mm	inch	mm	inch	mm	inch	mm	inch	mm	inch	mm	inch
FCX05	111	4.375	76	2.992	92	3.625	65	2.563	9.5	0.375	24	0.938	10	0.391	6	0.234	32.2	1.281	38.1	1.5	15.9	0.626	M8	0.313
FCX06	127	5	85	3.347	105	4.141	74.2	2.922	12	0.469	22.5	0.875	8	0.313	9.5	0.375	33.4	1.313	42.9	1.689	17.5	0.689	M10	0.375
FCX07	133	5.25	92	3.622	111	4.375	78.5	3.094	12	0.469	26	1.031	9	0.359	11	0.438	39.2	1.531	49.2	1.937	19	0.748	M10	0.375
FCX08	133	5.25	92	3.622	111	4.375	78.5	3.094	12	0.496	26	1.031	9	0.359	11	0.438	39.2	1.531	49.2	1.937	19	0.748	M10	0.375
FCX09	155	6.094	108	4.252	130	5.125	91.9	3.625	14	0.547	25	0.969	8	0.313	12	0.469	40.6	1.594	51.6	2.031	19	0.748	M12	0.438
FCX10	162	6.375	118	4.646	136	5.359	96.2	3.781	14	0.547	25	0.969	7	0.281	16	0.625	40.4	1.594	55.6	2.189	22.2	0.874	M12	0.438
FCX11	180	7.094	127	5	152	5.969	107.5	4.234	16	0.625	26	1.031	4	0.156	22	0.859	43.7	1.719	65.1	2.563	25.4	1	M14	0.5
FCX12	194	7.625	140	5.512	165	6.5	116.7	4.594	16	0.625	33	1.313	11	0.438	20	0.781	50.7	2	65.1	2.563	25.4	1	M14	0.5
FCX13	194	7.625	140	5.512	165	6.5	116.7	4.594	16	0.625	33	1.313	11	0.438	20	0.781	55.4	2.188	74.6	2.937	30.2	1.189	M14	0.5
FCX14	222	8.75	164	6.457	190	7.484	134.3	5.281	19	0.75	36	1.406	14	0.547	20	0.781	58.5	2.313	77.8	3.063	33.3	1.331	M16	0.625
FCX15	222	8.75	164	6.457	190	7.484	134.3	5.281	19	0.75	35	1.375	12	0.469	22	0.859	61.3	2.406	82.6	3.252	33.3	1.311	M16	0.625
FCX16	260	10.25	186	7.323	219	8.625	154.8	6.094	23	0.906	36	1.406	10	0.391	25	0.984	61.6	2.438	85.7	3.374	34.1	1.343	M20	0.75
FCX17	260	10.25	186	7.323	219	8.625	154.8	6.094	23	0.906	36	1.406	10	0.391	25	0.984	66.3	2.625	96	3.78	39.7	1.563	M20	0.75
FCX18	260	10.25	186	7.323	219	8.625	154.8	6.094	23	0.906	43	1.688	12	4.69	28	1.109	73.1	2.875	104	4.094	42.9	1.689	M20	0.75
FCX20	276	1.875	206	8.110	238	9.375	168.3	6.625	23	0.906	66	2.594	22	0.859	28	1.109	90.3	3.563	117.5	4.626	49.2	1.689	M20	0.75