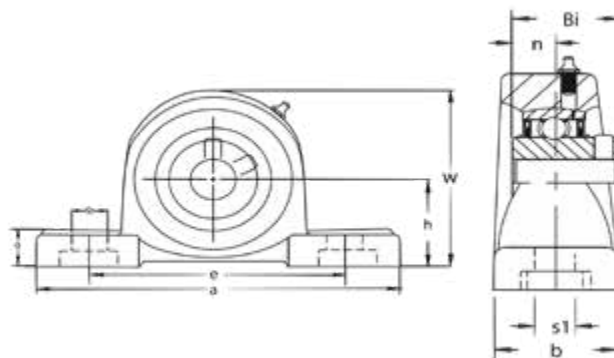


PX00 Series (Medium Duty)

2-Bolt Pillow Block Housing



Part No.	Dimensions (mm)										
	h	a	e	b	s1	s2	g	w	n	Bi	N.W. (kg)
PX05	44.1	159	119	51	17	25	18	85	15.9	38.1	1.5
PX06	47.6	175	127	57	17	25	20	94	17.5	42.9	2.14
PX07	54	203	144	57	17	30	22	105	19	49.2	2.85
PX08	58.7	222	156	67	20	32	26	113	19	49.2	3.71
PX09	58.7	222	156	67	20	33	26	116	19	51.6	3.65
PX10	63.5	241	171	73	20	36	27	126	22.2	55.6	4.45
PX11	60.8	260	184	70	26	36	30	130	26.4	66.1	6.25
PX12	76.2	266	203	83	25	41	32	151	25.4	65.1	7.52
PX13	76.2	266	203	83	26	41	32	154	30.2	74.6	8.2
PX14	88.9	330	229	89	27	51	35	172	33.3	77.8	10.60
PX15	88.9	330	229	89	27	51	35	177	33.3	82.6	12.30
PX16	101.6	378	283	99	27	30	37	194	34.1	85.7	17.4
PX17	101.6	380	283	102	27	30	40	200	39.7	96	17.1
PX18	101.6	381	283	106	27	30	40	206	42.9	104	17.1
PX20	127	432	337	120	33	36	45	244	49.2	117.5	33

NB. Finer Power Transmissions P/L is transitioning into NBR Bearings. Unless NBR Bearings are specifically requested, any remaining PFB/TNC stock will be supplied.