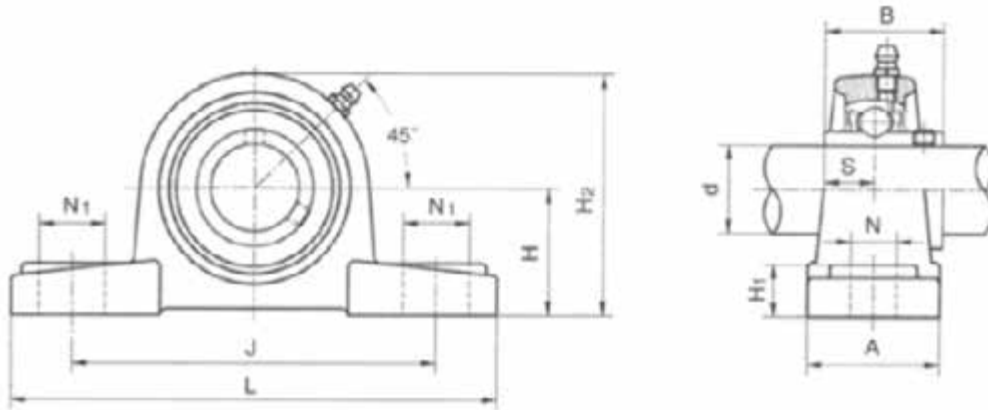


P200 Series (Light Duty)

2-Bolt Pillow Block Housing



P2

Part No.	Dimensions (mm)											N.W. (kg)
	d	H	L	J	A	N1	N1	H1	H2	S	B	
P203	17	30.2	127	95	36	13	19	13	60	10	26	0.4
P204	20	33.3	127	95	38	13	19	14	65	12.7	31	0.4
P205	25	36.5	140	105	38	13	19	15	71	14.3	34.1	0.49
P206	30	42.9	165	121	48	17	21	17	83	15.9	38.1	0.7
P207	35	47.6	167	127	48	17	21	18	93	17.5	42.9	0.88
P208	40	49.2	184	137	54	17	21	18	98	19	49.2	1.05
P209	45	54	190	146	54	17	21	20	106	19	49.2	1.24
P210	50	57.2	206	159	60	20	25	21	114	19	51.6	1.6
P211	55	63.5	219	171	60	20	25	23	126	22.2	55.6	1.91
P212	60	69.8	241	184	70	20	25	25	138	25.4	65.1	2.5
P213	65	76.2	264	203	70	25	30	27	151	25.4	65.1	3.08
P214	70	79.4	266	210	72	25	30	27	157	30.2	74.6	3.4
P215	75	82.6	275	217	74	25	30	28	163	33.3	77.8	3.79
P216	80	88.9	292	232	78	25	30	30	175	33.3	82.6	4.37
P217	85	95.2	310	247	83	25	30	32	187	34.1	85.7	5.53
P218	90	101.6	327	262	88	27	36	33	200	39.7	96	6.3