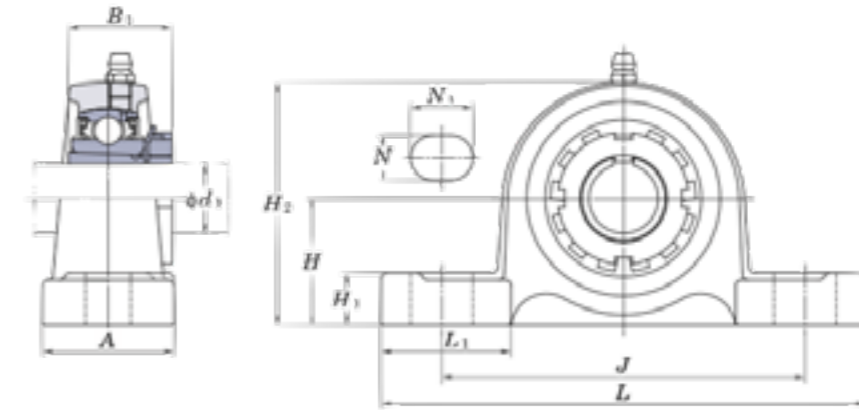
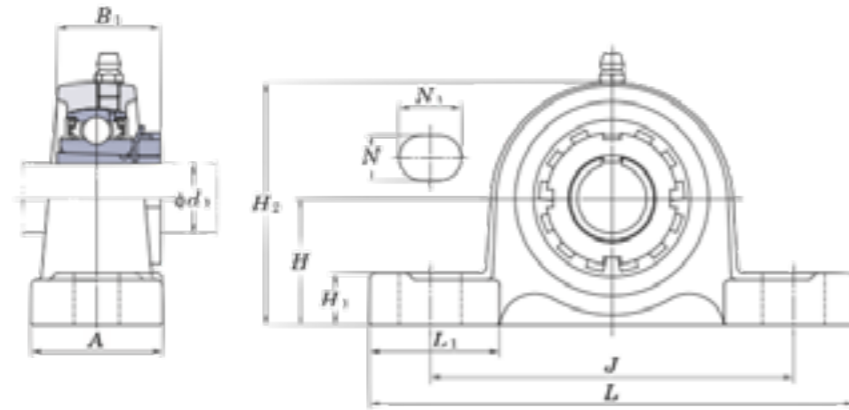


P300 Series

P300 Series



Housing Number	Dimensions												Dimensions										Bolt Size	
	H		L		A		J		N		N1		H1		H2		L1		B		S			
	mm	inch	mm	inch	mm	inch	mm	inch	mm	inch	mm	inch	mm	inch	mm	inch	mm	inch	mm	inch	mm	inch	mm	inch
P305	45	1 49/64	175	6 7/8	45	1 3/4	132	5 3/16	17	21/32	20	25/32	16	5/8	85	3 11/32	55	2 5/32	38	1.496	15	0.591	M14	1/2
P306	50	1 31/32	180	7 3/32	50	1 31/32	140	5 1/2	17	21/32	20	25/32	17	21/32	95	3 3/4	53	2 3/32	43	1.693	17	0.669	M14	1/2
P307	56	2 13/64	210	8 9/32	56	2 7/32	160	6 5/16	17	21/32	25	31/32	19	3/4	107	4 7/32	65	2 9/16	48	1.89	19	0.748	M14	1/2
P308	60	2 23/64	220	8 21/32	60	2 3/8	170	6 11/16	17	21/32	27	1 1/16	19	3/4	118	4 21/32	65	2 9/16	52	2.047	19	0.748	M14	1/2
P309	67	2 41/64	245	9 21/32	67	2 5/8	190	7 15/32	20	25/32	30	1 3/16	21	13/16	132	5 3/16	75	2 15/16	57	2.244	22	0.866	M16	5/8
P310	75	2 61/64	275	10 13/16	75	2 15/16	212	8 11/32	20	25/32	35	1 3/8	24	15/16	148	5 13/16	88	3 15/32	61	2.402	22	0.866	M16	5/8
P311	80	3 5/32	310	12 7/32	80	3 5/32	236	9 9/32	20	25/32	38	1 1/2	27	1 1/16	158	6 7/32	90	3 17/32	66	2.598	25	0.984	M16	5/8
P312	85	3 11/32	330	13	85	3 11/32	250	9 27/32	25	31/32	38	1 1/2	29	1 5/32	167	6 9/16	103	4 1/16	71	2.795	26	1.024	M20	3/4
P313	90	3 35/64	340	13 3/8	90	3 17/32	260	10 1/4	25	31/32	38	1 1/2	32	1 1/4	176	6 15/16	110	4 11/32	75	2.953	30	1.181	M20	3/4
P314	95	3 47/64	360	14 3/16	90	3 17/32	280	11 1/32	27	1 1/16	40	1 9/16	35	1 3/8	186	7 5/16	110	4 11/32	78	3.071	33	1.299	M22	7/8
P315	100	3 15/16	380	14 31/32	100	3 15/16	290	11 13/32	27	1 1/16	40	1 9/16	35	1 3/8	198	7 25/32	107	4 7/32	82	3.228	32	1.26	M22	7/8
P316	106	4 11/64	400	15 3/4	110	4 11/32	300	11 13/16	27	1 1/16	40	1 9/16	35	1 3/8	209	8 7/32	120	4 23/32	86	3.386	34	1.339	M22	7/8
P317	112	4 13/32	420	16 17/32	110	4 11/32	320	12 19/32	33	1 5/16	45	1 25/32	40	1 9/16	220	8 21/32	120	4 23/32	96	3.78	40	1.575	M27	1
P318	118	4 41/64	430	16 15/16	110	4 11/32	330	13	33	1 5/16	45	1 25/32	40	1 9/16	234	9 7/32	120	4 23/32	96	3.78	40	1.575	M27	1
P320	140	5 33/64	490	19 9/32	120	4 23/32	380	14 31/32	36	1 13/32	50	1 31/32	46	1 13/16	273	10 3/4	140	5 1/2	108	4.252	42	1.654	M30	1 1/8
P322	150	5 29/32	520	20 15/32	140	5 1/2	400	15 3/4	40	1 9/16	55	2 5/32	50	1 31/32	296	11 21/32	150	5 29/32	117	4.606	46	1.811	M33	1 1/4
P324	160	6 19/64	570	22 7/16	140	5 1/2	450	17 23/32	40	1 9/16	55	2 5/32	50	1 31/32	316	12 7/16	160	6 5/16	126	4.961	51	2.008	M33	1 1/4
P326	180	7 3/32	600	23 5/8	140	5 1/2	480	18 29/32	40	1 9/16	55	2 5/32	50	1 31/32	355	13 21/32	195	7 11/16	135	5.315	54	2.126	M33	1 1/4
P328	200	7 7/8	620	24 13/32	140	5 1/2	500	19 11/16	40	1 9/16	55	2 5/32	60	2 3/8	393	15 15/32	185	7 9/32	145	5.709	59	2.323	M33	1 1/4